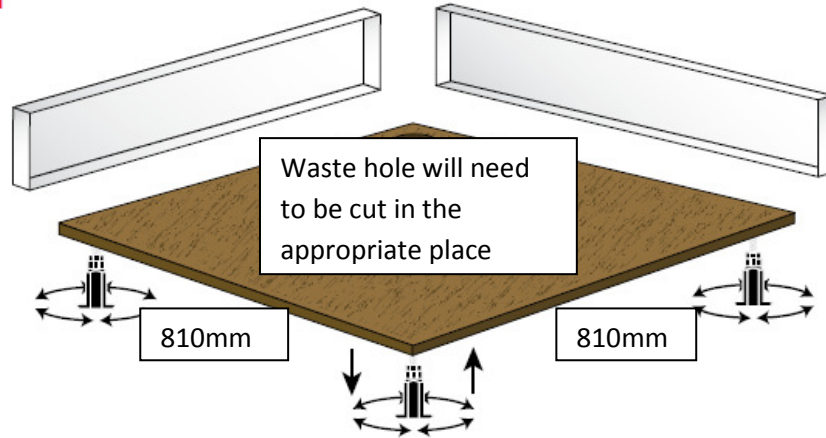




FRAME & PANEL FOR EVERSTONE RESIN 900 x 900 SHOWER TRAY

44400023030



Specifications:

PLINTH - 18mm marine ply with CNC routed leg and waste outlet positions.

LEG FASTENER - Steel threaded M12 fastener.

LEGS - Steel allthread M12 stud with 2 half nuts per leg.

FOOT - Hexagonal M12 heavy duty plastic.

FACIA PANELS - Pre-formed ABS acrylic.

