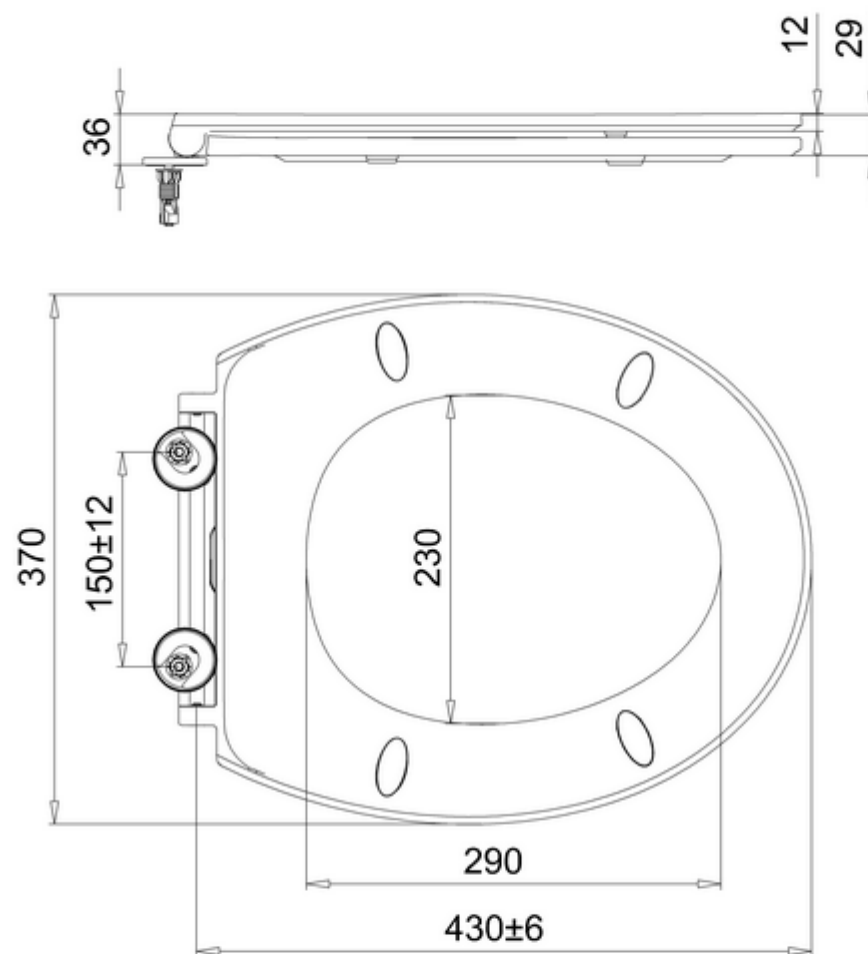


41200100815 - Soho toilet seat



Note:

Whole dimension tolerance is ± 5 .

Dimension tolerance between two hinge holes is ± 5 .