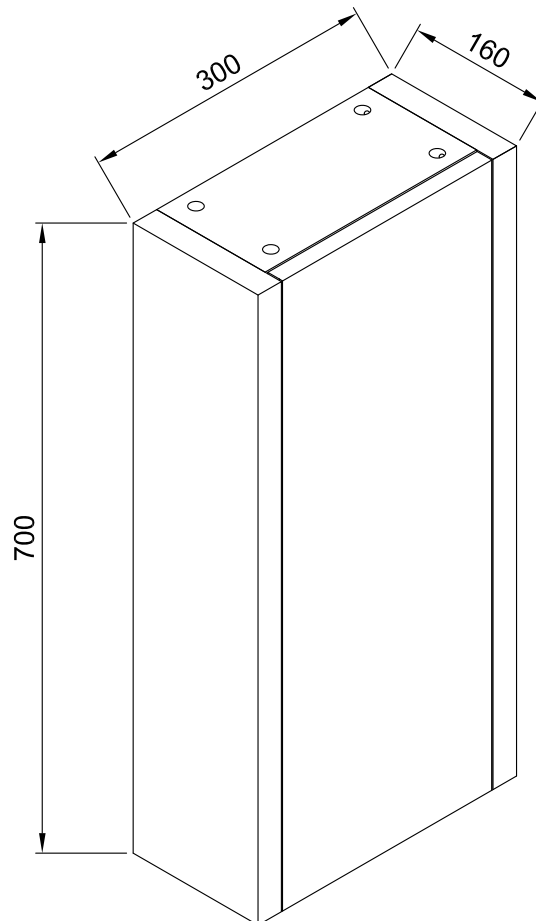


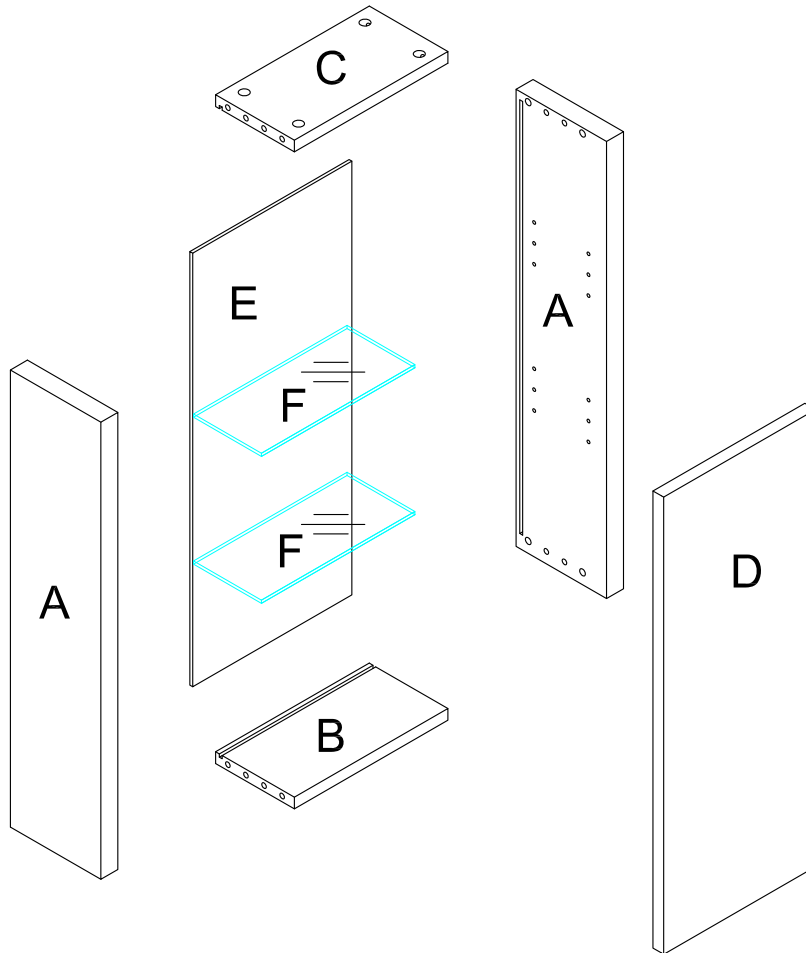
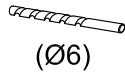
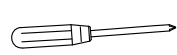
## OpenSpace™ 300 Wall Cabinet Assembly Instructions 20050070870













Care and Maintenance : Please leave with the householder

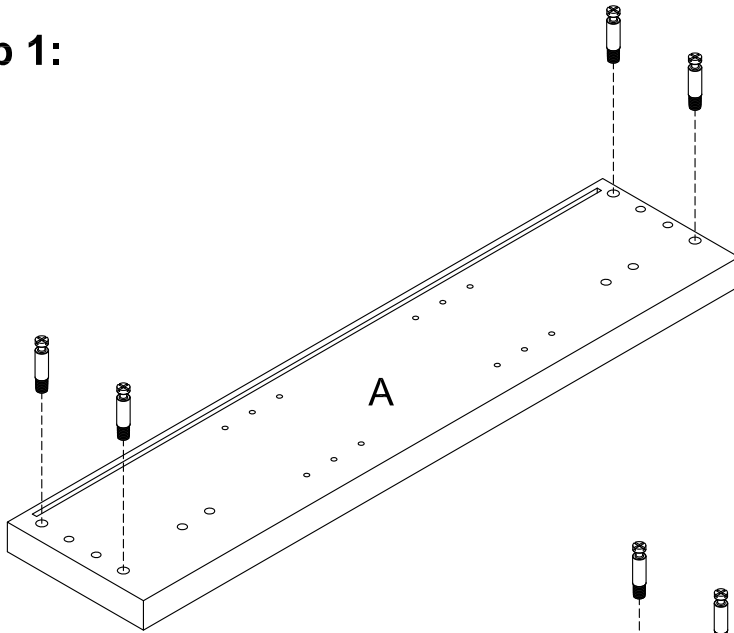
This furniture is made of wood, and has a water resistant finish. It should not be left wet, and the quality of the finish is best maintained if it is wiped with a dry cloth after use. It should only be cleaned using a soft damp cloth followed by a dry cloth. Do not use bleach or any abrasive cleaner.



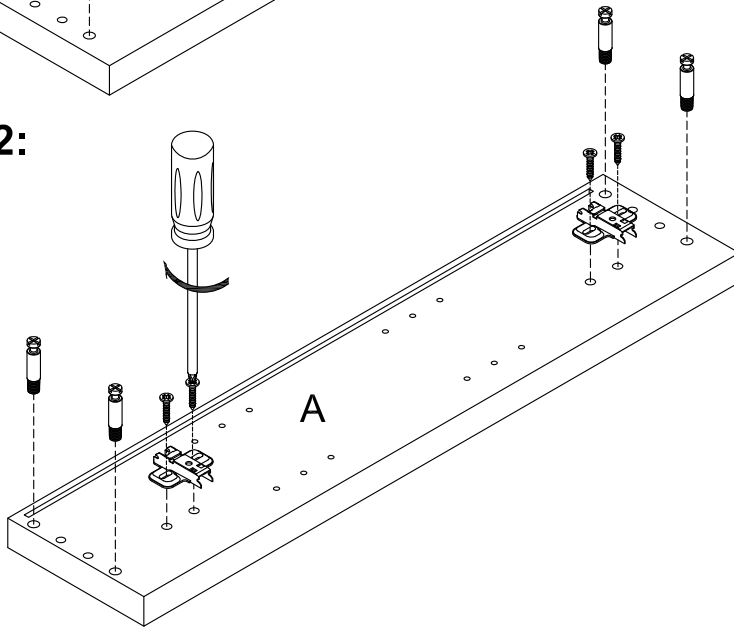
**Width 300mm**  
**Depth 160mm**  
**Height 700mm**




**TOOLS REQUIRED:**


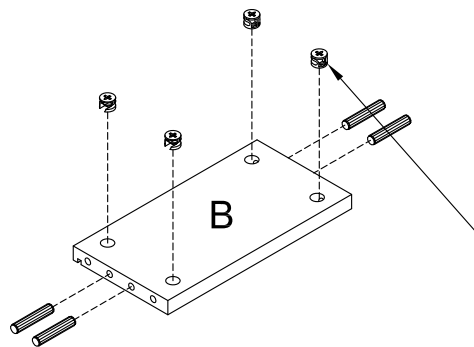
CODE	SIZE(mm)	QTY	CODE	DIAGRAM	QTY	CODE	DIAGRAM	QTY
A	700x160x30	2	G		8	M		8
B	240x138x18	1	H		8	N		3
C	240x138x18	1	I		8	O		2
D	698x236x18	1	J		8	P		2
E	655x250x5	1	K		2	Q		1
F	236x120x5	2	L		2	R		1



**Step 1:**


CODE	SIZE/DIAGRAM	QTY
A	700x160x30	x1
I		x4

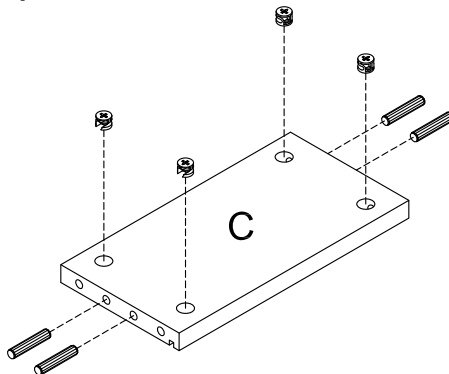
**Step 2:**


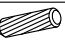

CODE	SIZE/DIAGRAM	QTY
A	700x160x30	x1
I		x4
J		x4
L		x2

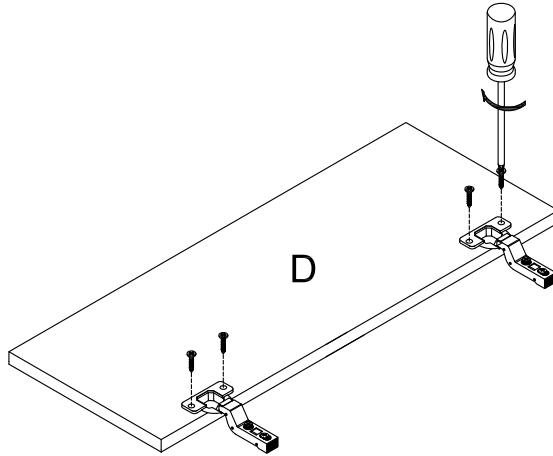
**Step 3:**




CODE	SIZE/DIAGRAM	QTY
B	240x138x18	x1
G		x4
H		x4

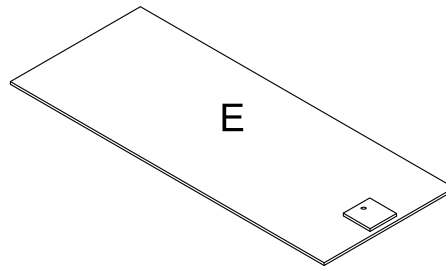
During assembly, the arrow stamped on part (H) should point towards the screw hole.

**Step 4:**


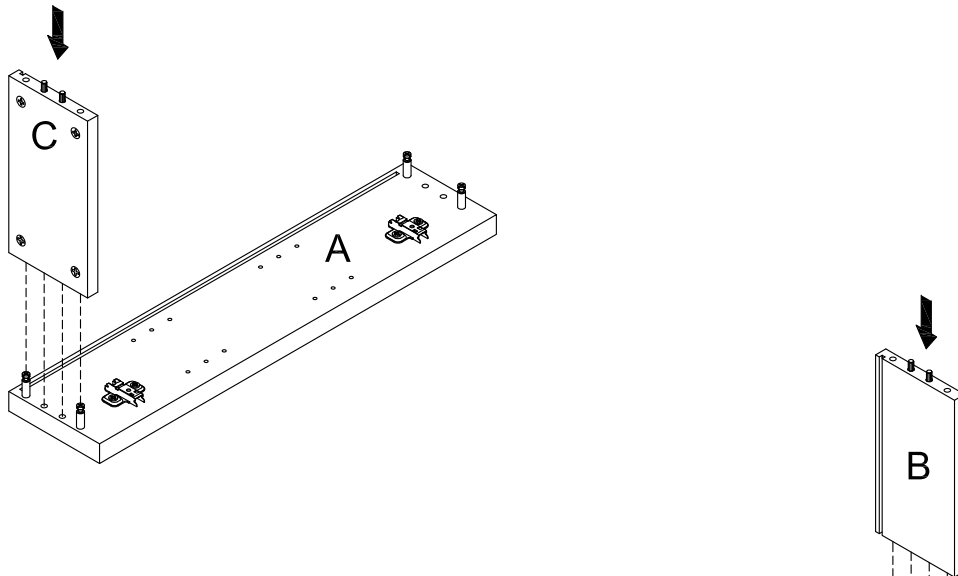
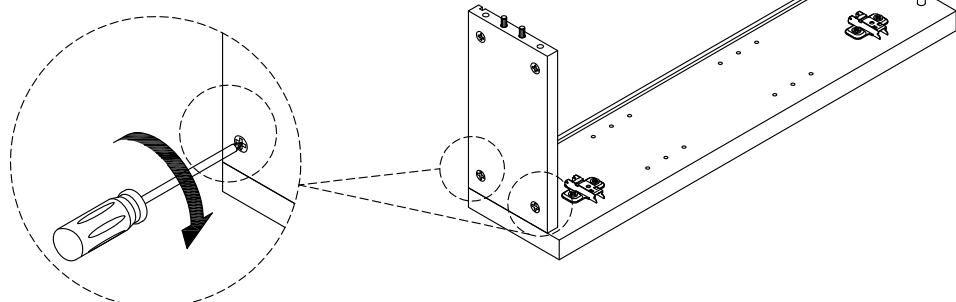
CODE	SIZE/DIAGRAM	QTY
C	240x138x18	x1
G		x4
H		x4

**Step 5:**


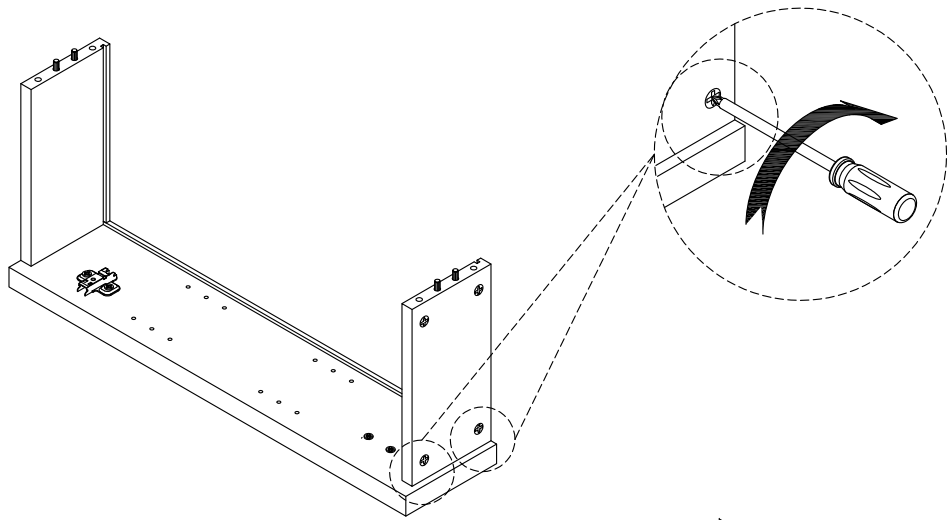
CODE	SIZE/DIAGRAM	QTY
D	698x236x18	x1
J		x4
K		x2

**Step 6:**


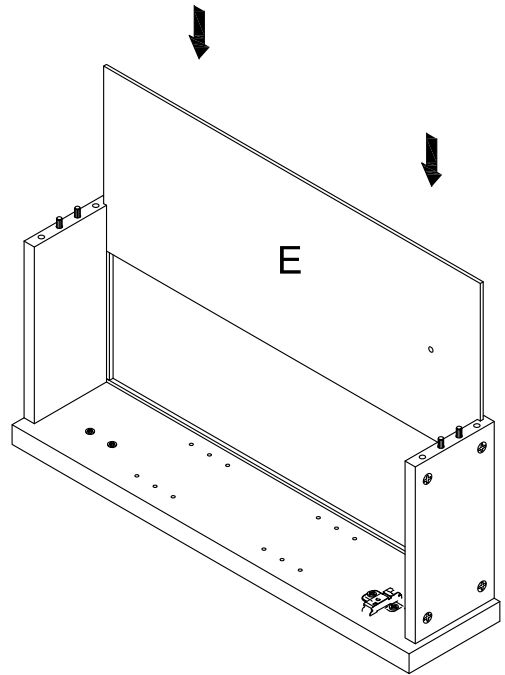
CODE	SIZE/DIAGRAM	QTY
E	655x250x5	x1

**Step 7:**

**Step 8:**


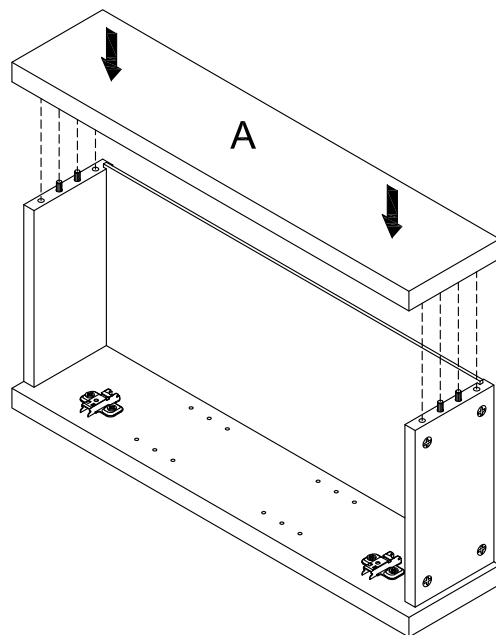
**Step 9:**

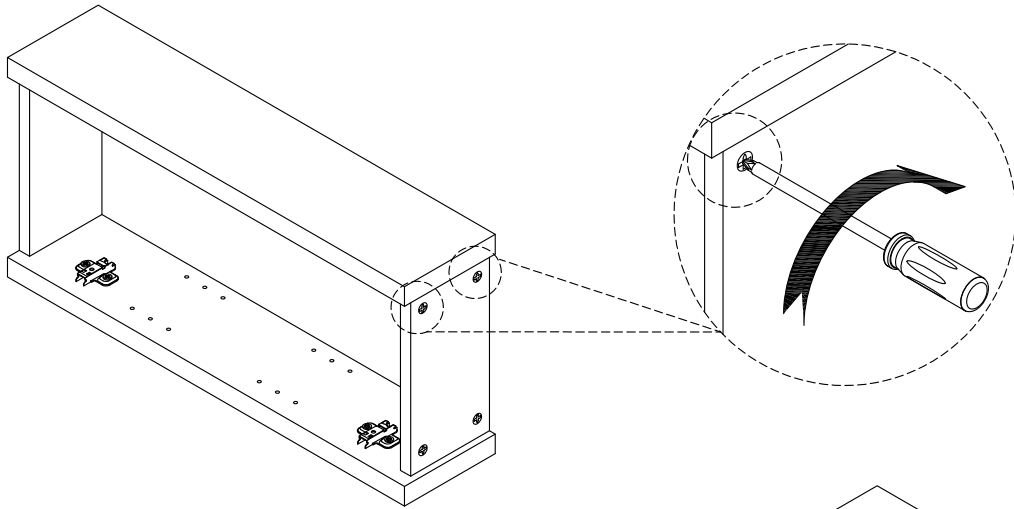
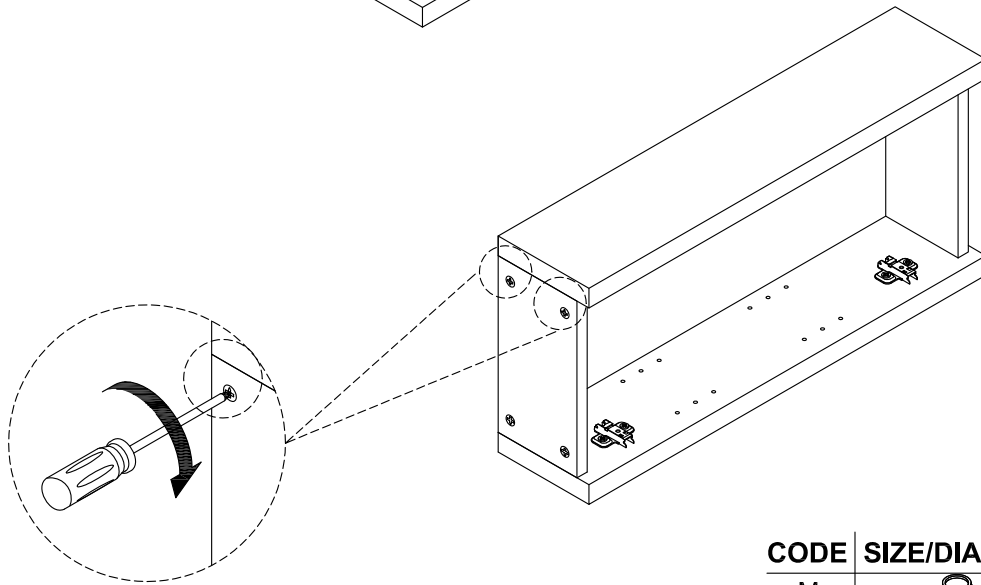



**Step 10:**

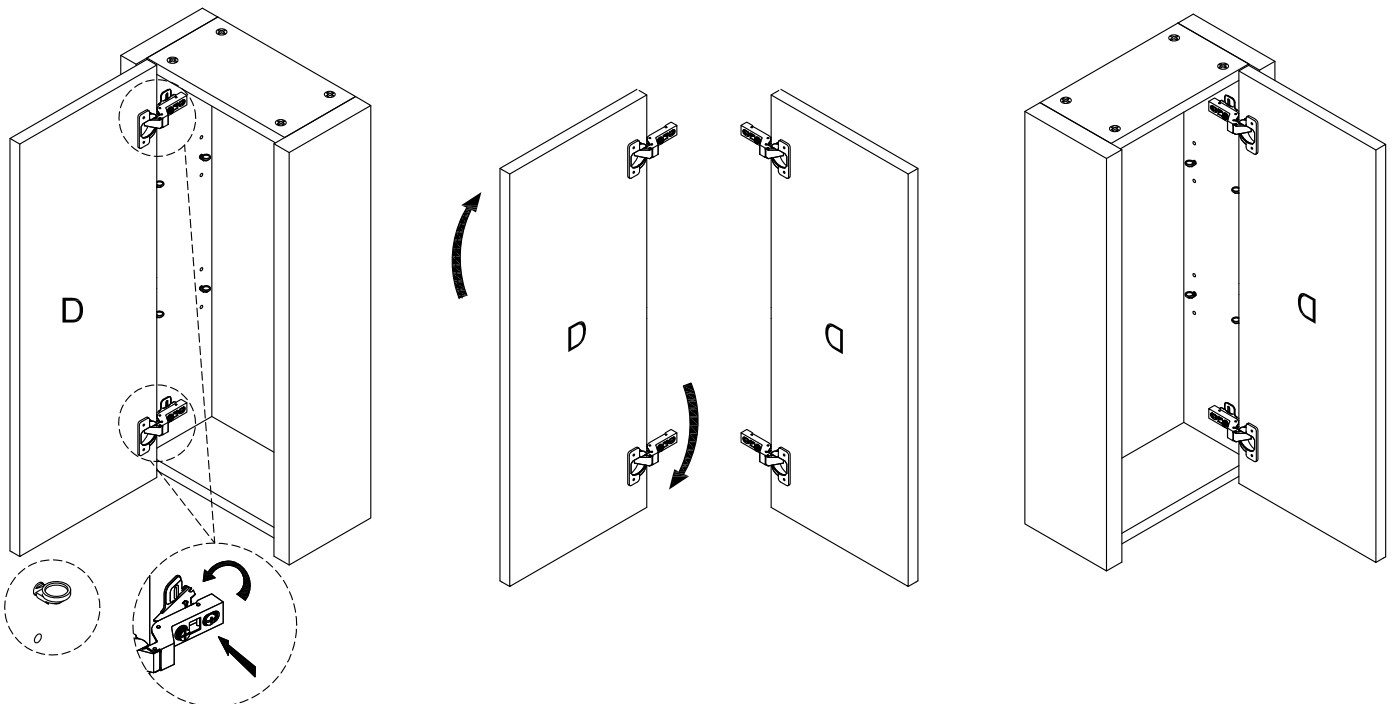


**Step 11:**



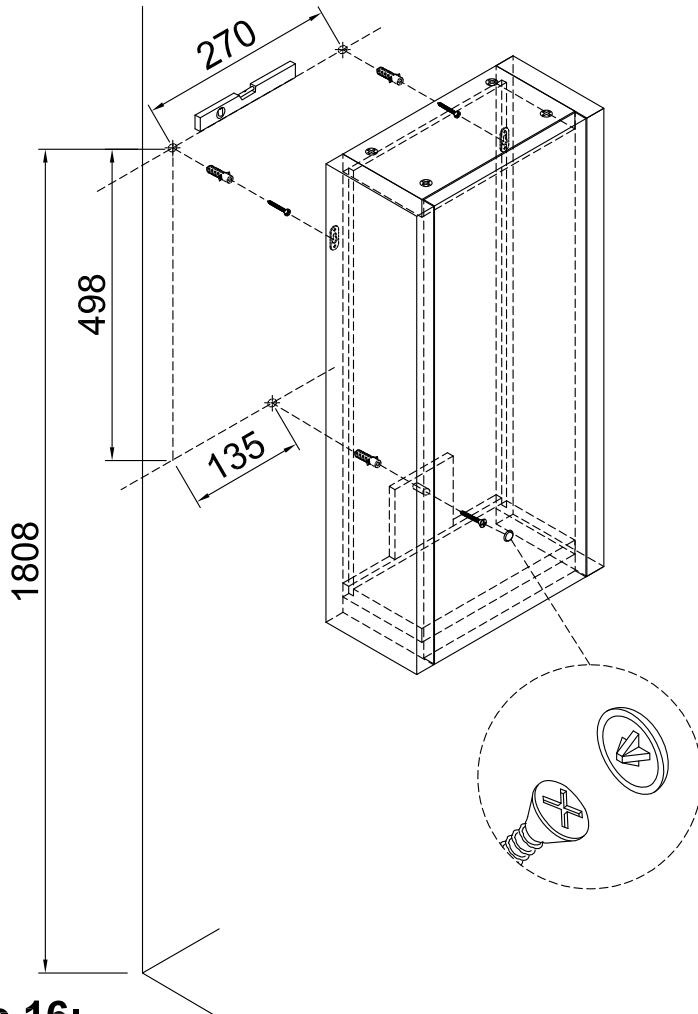
**Step 12:**

**Step 13:**

**Step 14:**

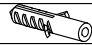
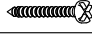


CODE	SIZE/DIAGRAM	QTY
M		x8

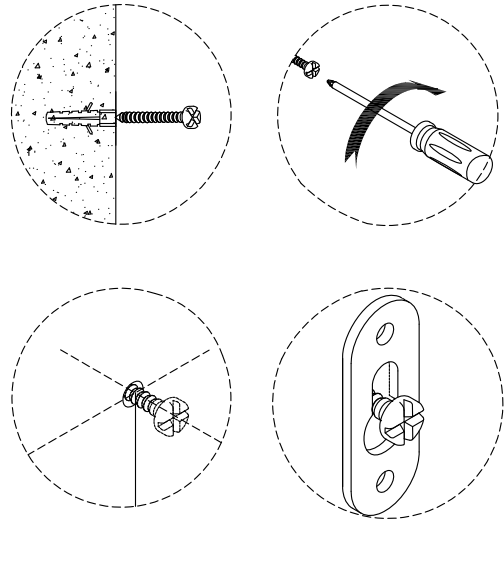
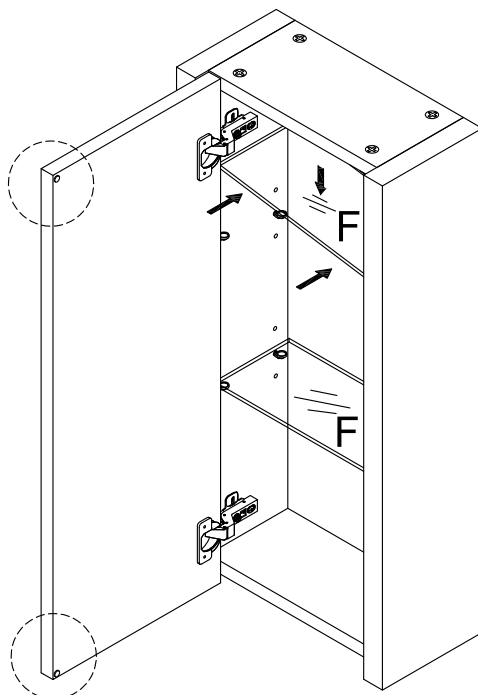



**Step 15:**

To achieve an installed height of 1930mm from the floor, please refer to the following diagram. The wall fixings supplied may not be suitable for your installation. You may need to source alternatives depending on the material and strength of the wall you are fixing to.



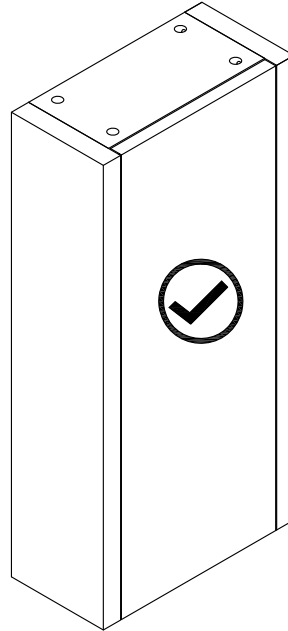
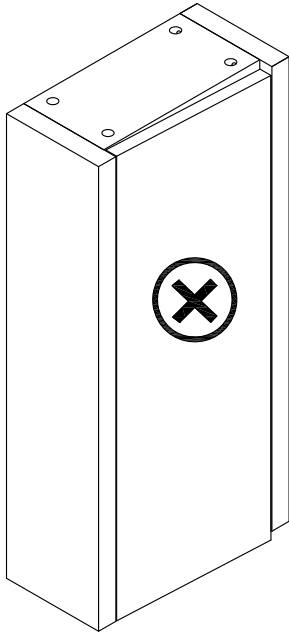
CODE	SIZE/DIAGRAM	QTY
N		x3
O		x2
Q		x1
R		x1


**Step 16:**


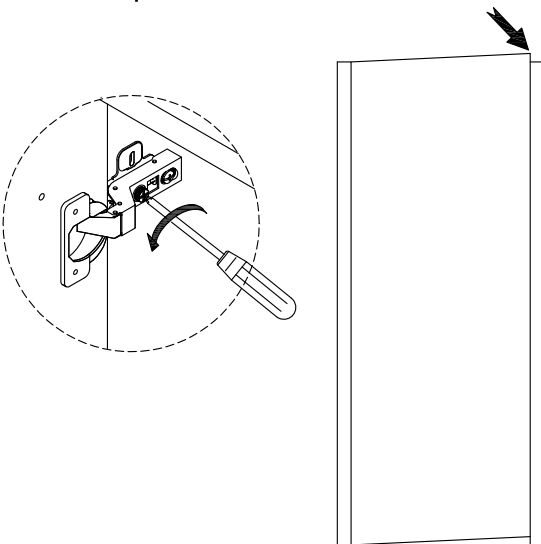
CODE	SIZE/DIAGRAM	QTY
F	236x120x5	x2
P		x2

The doors can be adjusted up and down by rotating the adjustment screw as shown below :

**Only if adjustment is required !**



Anti-Clockwise adjustment lifts the far top corner.



Clockwise adjustment drops the far top corner.

