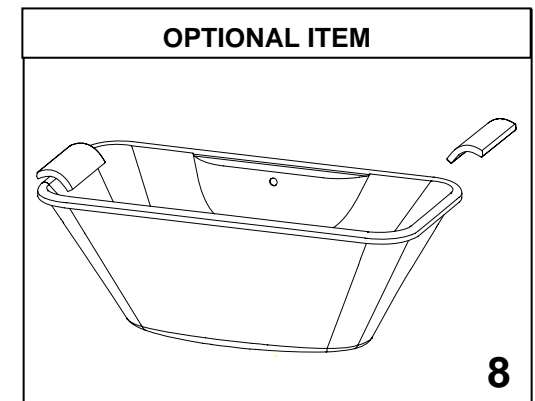
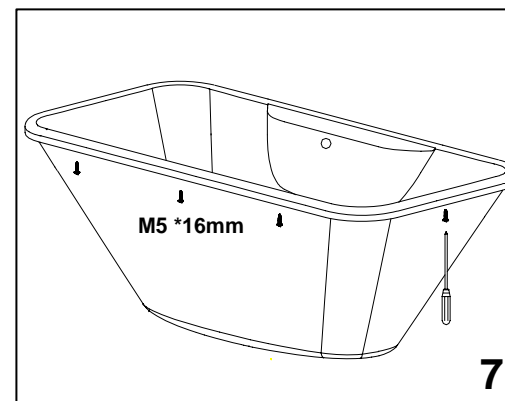
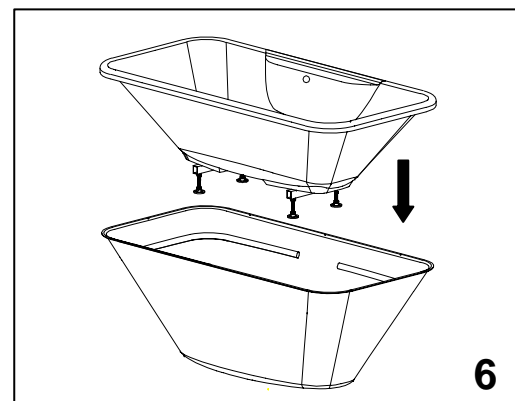
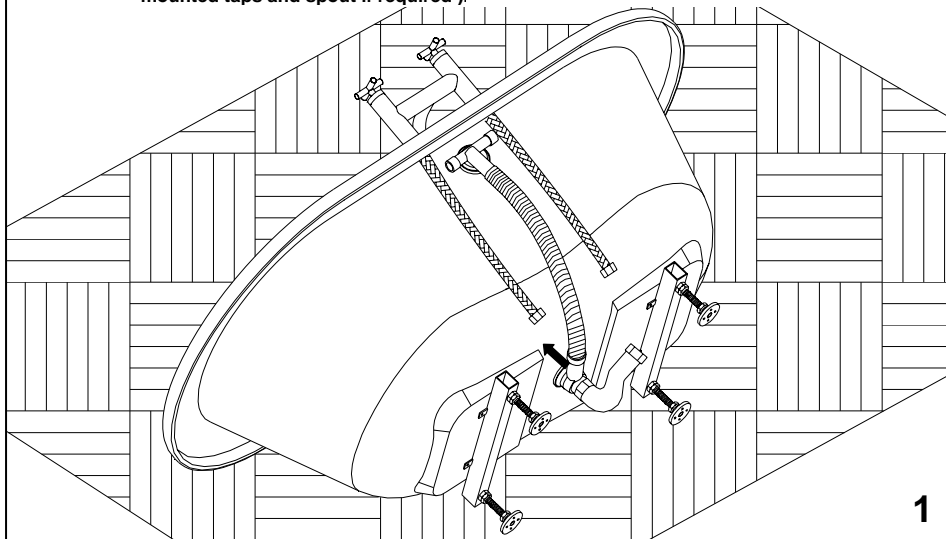


NOTES

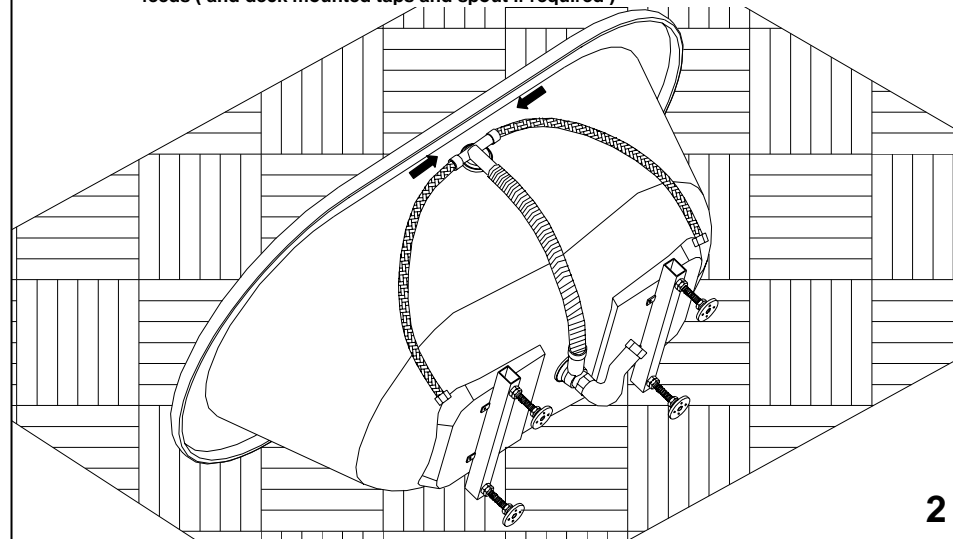
- Prior to installation check that all fittings have been supplied.
- Assemble the bath on a mat to protect the bath surface from damage or scratching
- These installation instructions do not include the waste, tap or any other items. Such items should be installed by a suitably qualified person.
- Follow each step in turn.
- Deck mounted taps and overflow wastes should be fitted to the bath before joining the bath to the surround.



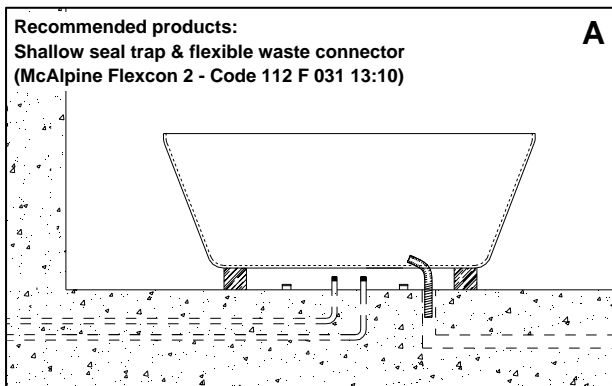
Scenario 1: Conventional overflow
Install the bath waste and overflow, the trap and flexible connector (and deck mounted taps and spout if required).


1

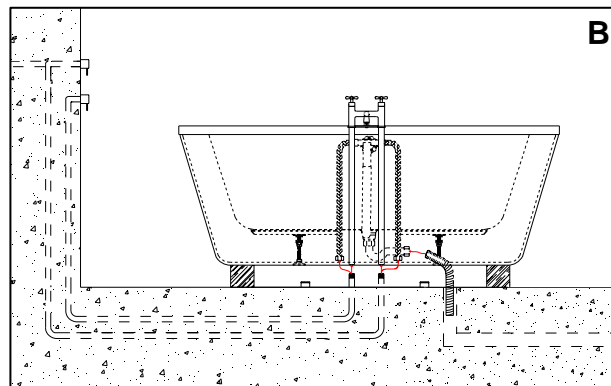
Scenario 2: Bath filler overflow
Install the bath waste and overflow, the trap and flexible connector, the filler flexible feeds (and deck mounted taps and spout if required)


2

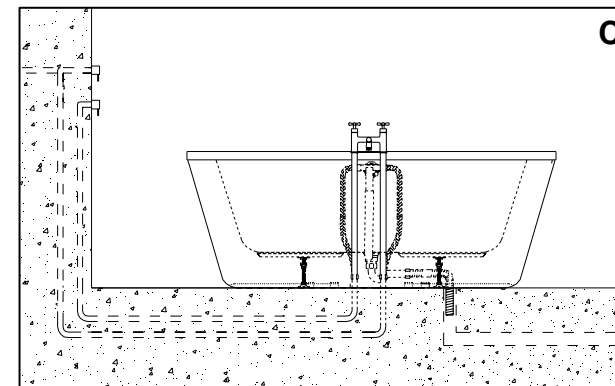
Recommended products:
Shallow seal trap & flexible waste connector
(McAlpine Flexcon 2 - Code 112 F 031 13:10)

A


Place the bath surround on two wooden blocks over the waste and water feed connections.

B


Place the bath inside the surround, and connect the waste and water feeds. Fill the bath and check for leaks.

C


Remove the wooden blocks and drop the bath on to the floor. Move the bath so that the Floor Brackets hook over the bath surround, securing the bath firmly in to position. Once the bath is secure and in its final position, run a silicon bead along the edge of the Surround and the floor.