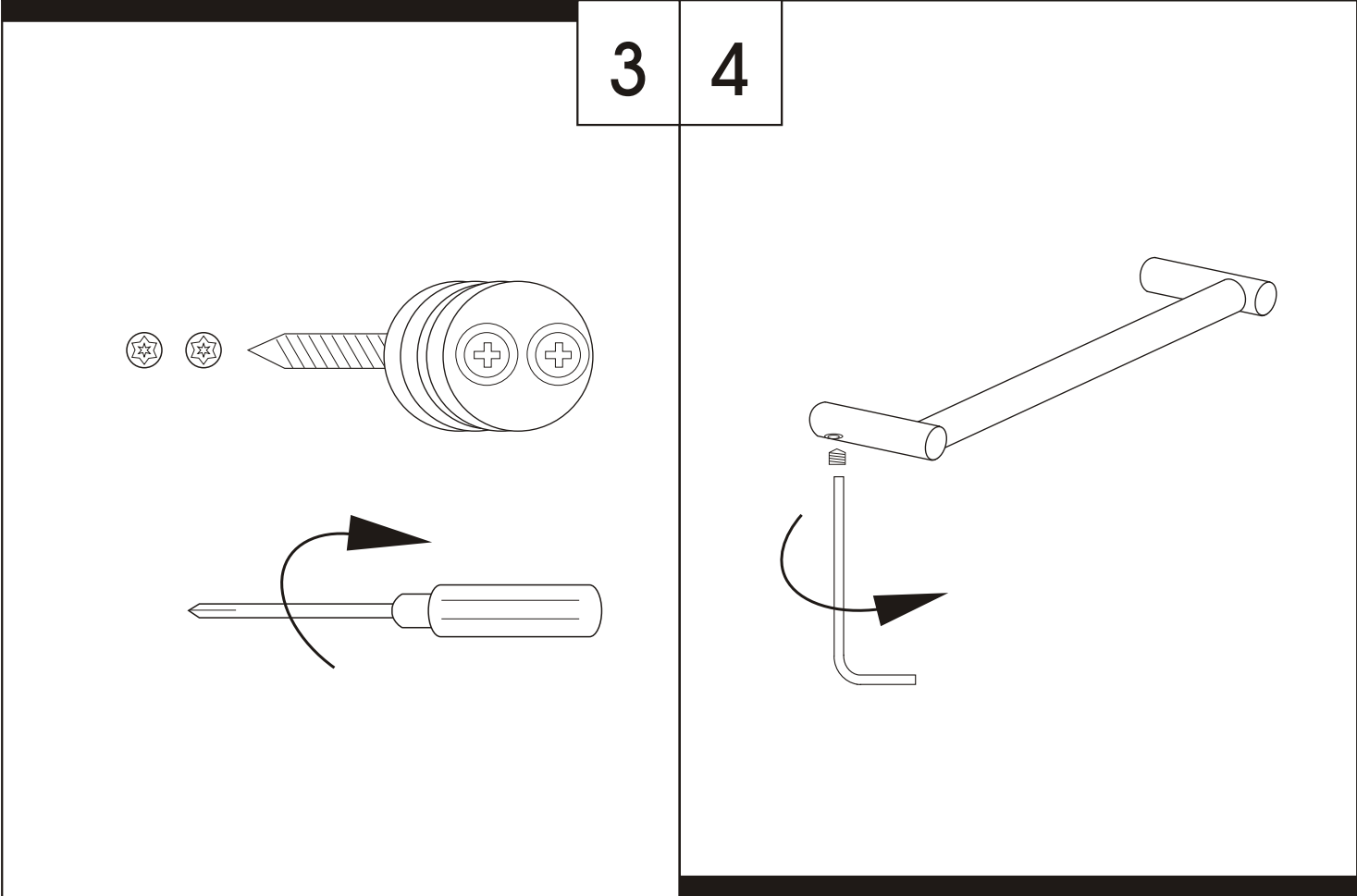


1	2
3	4



 **Attention**

- The grab rails are designed to be mounted on a masonry wall, and a stud wall will require additional strengthening.
- The grab rails are for steadying use, and not a disability aid or for full weight support.

70x105mm
157克双铜纸彩色印刷