

# Waterside Wall Hung Units Assembly Instructions

**IMPORTANT:** This unit must be securely fixed to a wall. Ensure that the top is horizontal before marking the wall for fixing.








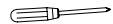
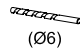



The wall fixings supplied may not be suitable for your installation. You may need to source alternatives depending on the material and strength of the wall you are fixing to.

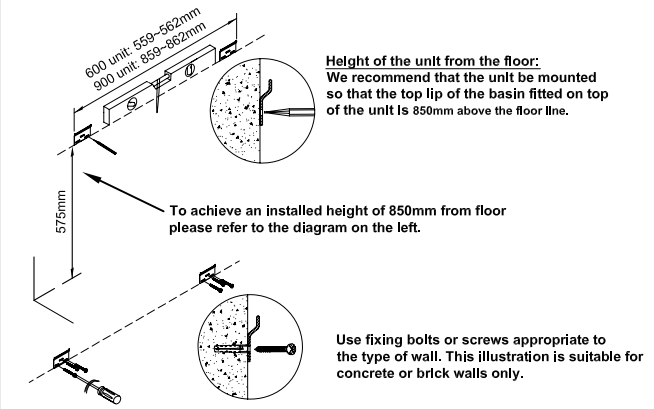
**Attention:** When installing the basin if the waste pipe from the bottle trap is obstructed by the rear cross brace avoid cutting the cross brace by for example using a flexible pipe to pass under it or a short extension pipe lower the bottle trap.

**Care and Maintenance :** Please leave with the householder

This furniture is made of wood, and has a water resistant finish. It should not be left wet, and the quality of the finish is best maintained if it is wiped with a dry cloth after use. It should only be cleaned using a soft damp cloth followed by a dry cloth. Do not use bleach or any abrasive cleaner.

41405015510  
41405015710  
41405016110  
41405015910  
41405015500  
41405015700  
41405016100  
41405015900

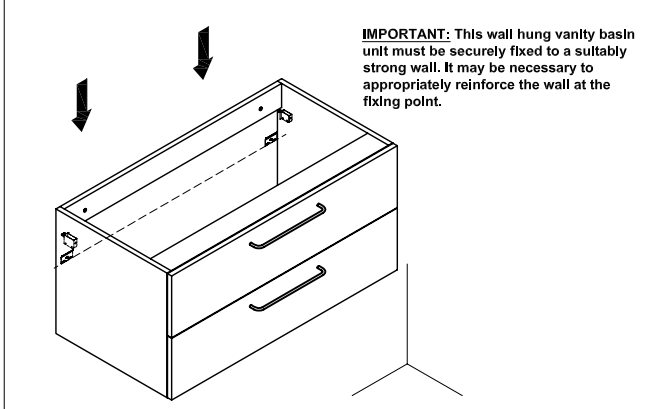
|                       |   |  |   |  |   |   |   |  |
|-----------------------|---|--|---|--|---|---|---|--|
| <b>PARTS SUPPLIED</b> | <br>2x | <br>6x (4.8*38) | <br>8x | <br>2x (4.8*50) | <br>4x | <br>2x (300mm) | <br>4x | <b>TOOLS REQUIRED:</b>      |
|-----------------------|---|--|---|--|---|---|---|--|



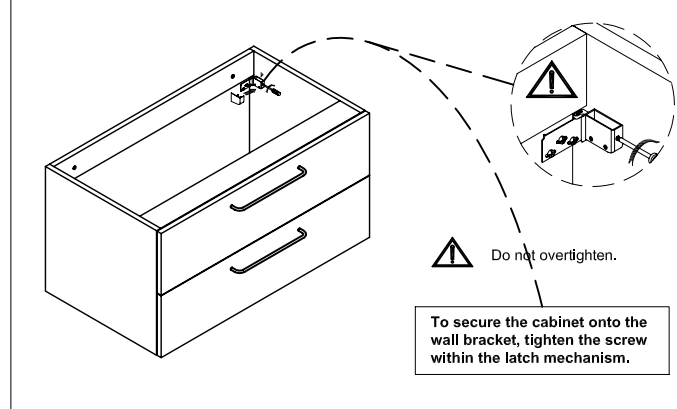
**Height of the unit from the floor:**  
We recommend that the unit be mounted so that the top lip of the basin fitted on top of the unit is 850mm above the floor line.

To achieve an installed height of 850mm from floor please refer to the diagram on the left.

Use fixing bolts or screws appropriate to the type of wall. This illustration is suitable for concrete or brick walls only.



**IMPORTANT:** This wall hung vanity basin unit must be securely fixed to a suitably strong wall. It may be necessary to appropriately reinforce the wall at the fixing point.

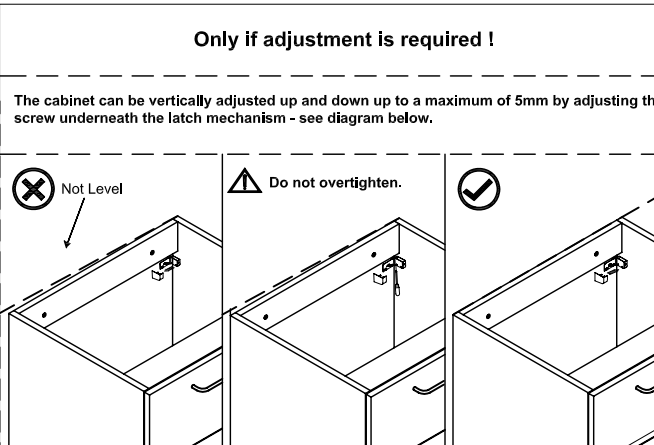


Do not overtighten.

To secure the cabinet onto the wall bracket, tighten the screw within the latch mechanism.

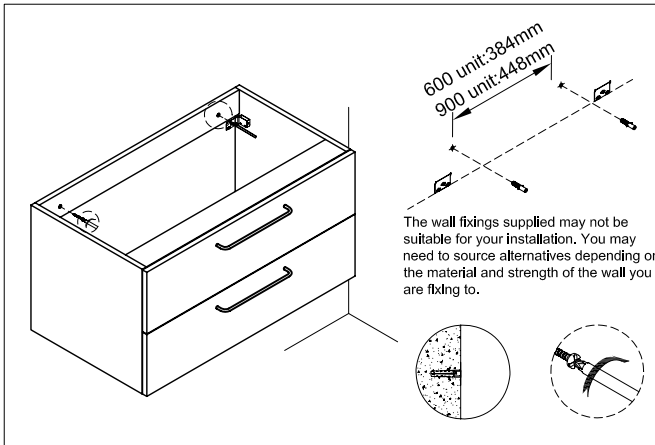
**Only if adjustment is required !**

The cabinet can be vertically adjusted up and down up to a maximum of 5mm by adjusting the screw underneath the latch mechanism - see diagram below.



Not Level

Do not overtighten.



600 unit: 384mm  
900 unit: 448mm

The wall fixings supplied may not be suitable for your installation. You may need to source alternatives depending on the material and strength of the wall you are fixing to.

