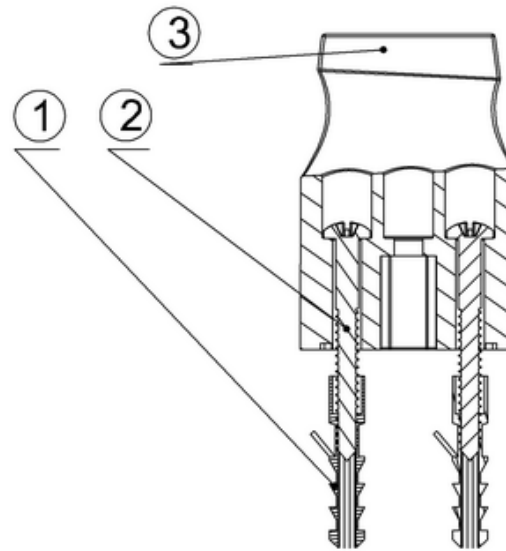
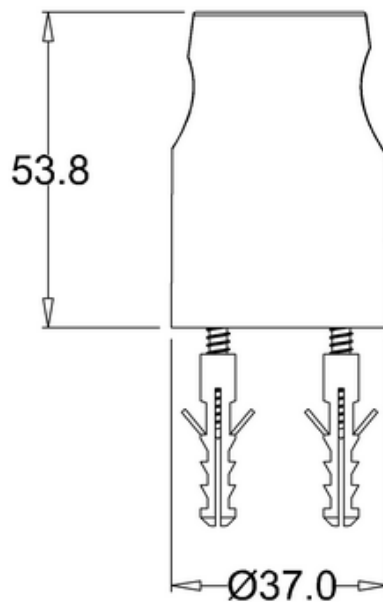
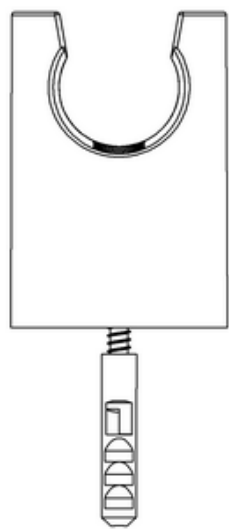




**bathstore**

## 20004005610 - TECHNO FIXED SHOWER HEAD HOLDER



3	holder	ABS757	30g	1	eQ+5@
2	screw	SUS304		2	□ - ST4.0*38
1	rawl plug	POM	1.0g	2	è Q
Pos.	name of parts	material		qty	Description

### Note:

For each part of the accessory, the dimension tolerance should be followed the list below.

0 ~ 100	101 ~ 200	201 ~ 400	≥ 401
±1	±2	±3	±5

For the finished assembly, the dimension tolerance should be followed the list below.

0 ~ 300	≥ 301
±2	±5