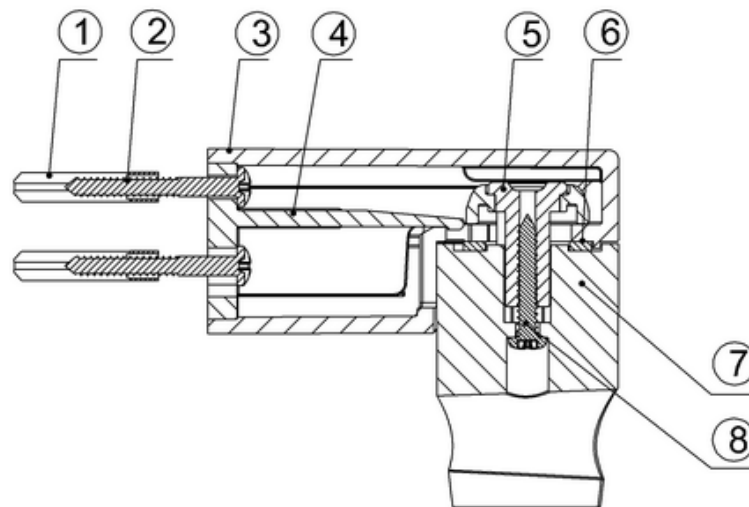
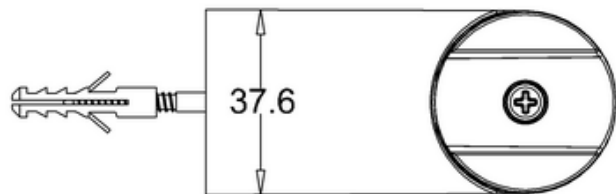
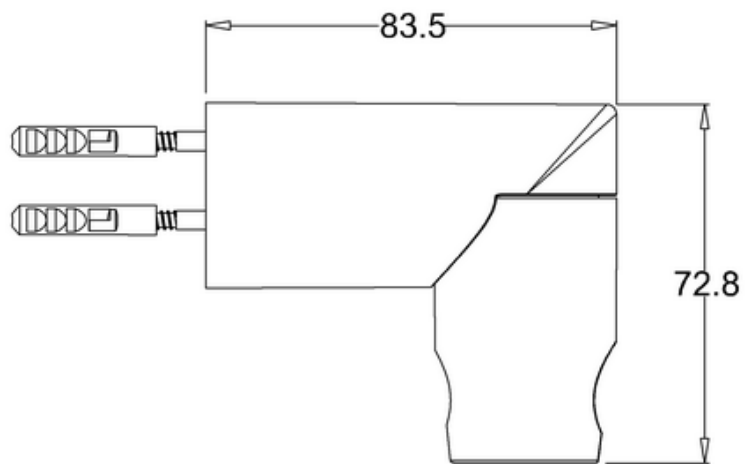




bathstore

20004005600 - TECHNO SWIVEL SHOWER HEAD HOLDER



8	screw	SUS304		1	ST4.0*25
7	holder	ABS757	23g	1	
6	friction	POM	1.0g	1	
5	fixing part	POM	2.5g	1	
4	connector	POM	12.8g	1	
3	body	ABS757	30g	1	
2	screw	SUS304		2	ST4.0*35
1	rawl plug	POM	1.0g	2	
Pos.	name of parts	material		qty	Description

Note:

For each part of the accessory, the dimension tolerance should be followed the list below.

0 - 100	101 - 200	201 - 400	≥ 401
±1	±2	±3	±5

For the finished assembly, the dimension tolerance should be followed the list below.

0 - 300	≥ 301
±2	±5