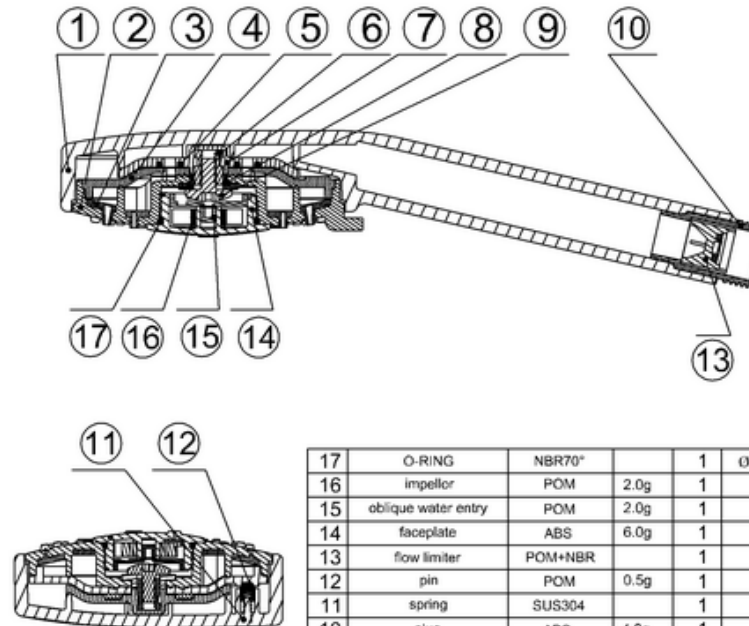
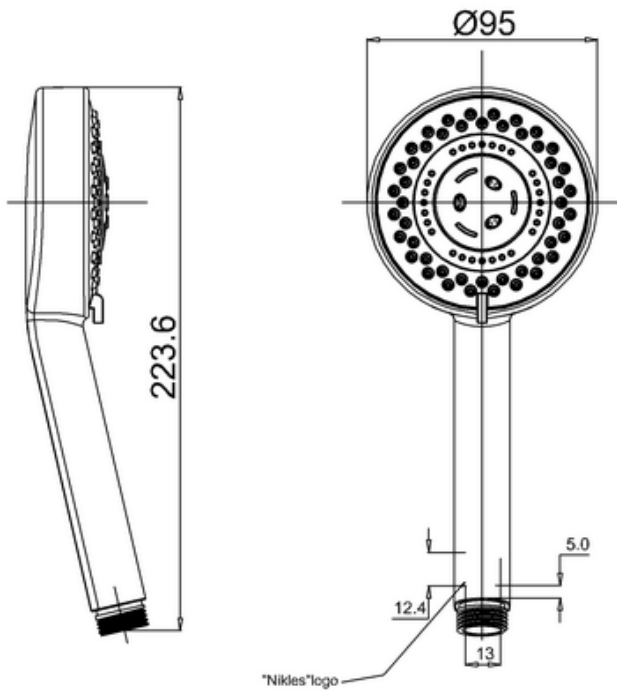




bathstore

20004005580 - FRESH 95 THREE FUNCTION HAND SHOWER



Note:

For each part of the accessory, the dimension tolerance should be followed the list below.

0 ~ 100	101 ~ 200	201 ~ 400	≥ 401
±1	±2	±3	±5

For the finished assembly, the dimension tolerance should be followed the list below.

0 ~ 300	≥ 301
±2	±5

17	O-RING	NBR70*		1	Ø25.0X2.0
16	impellor	POM	2.0g	1	
15	oblique water entry	POM	2.0g	1	
14	faceplate	ABS	6.0g	1	
13	flow limiter	POM+NBR		1	
12	pin	POM	0.5g	1	
11	spring	SUS304		1	
10	plug	ABS	4.0g	1	
9	screw	SUS304		1	M5*10
8	gasket	ABS	2.0g	1	
7	support cover	ABS	8g	1	
6	insert	HPB59-1		1	M5*11
5	washer	EPDM70*		1	
4	water guide	ABS	20g	1	
3	TPR faceplate	TPR	8g	1	
2	faceplate	ABS	28g	1	
1	body	ABS	89g	1	
Pos.	name of parts	material		qty	Description