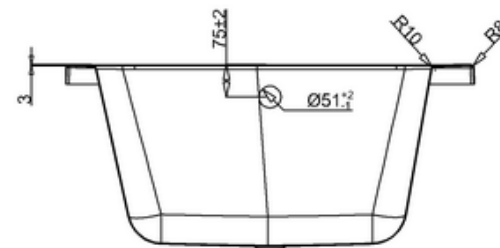
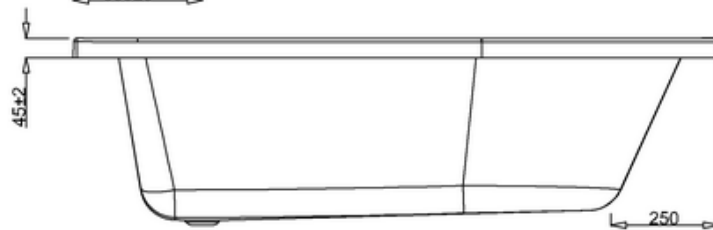
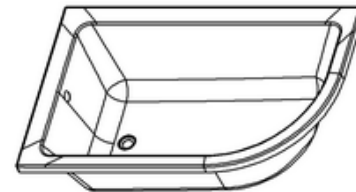
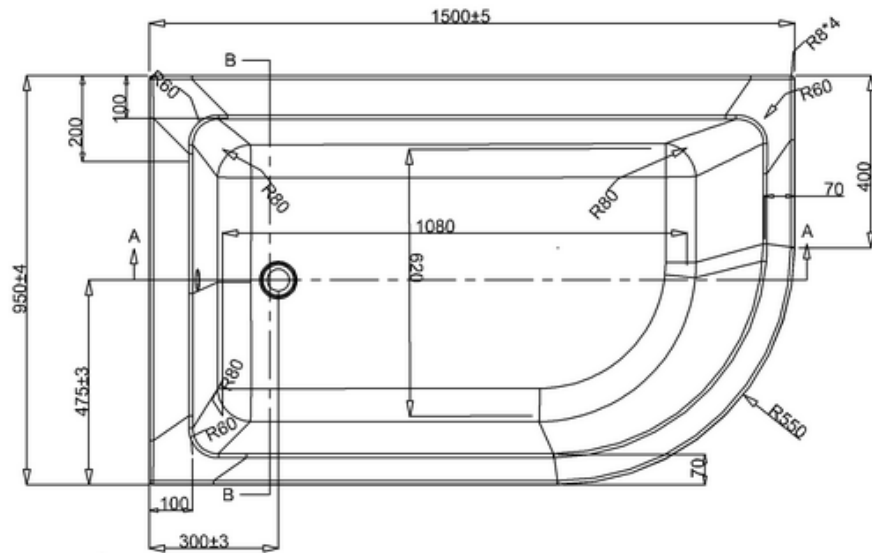


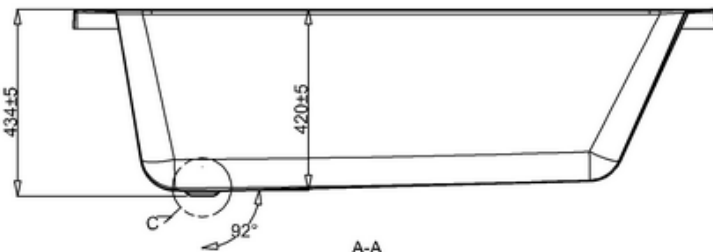


**bathstore**

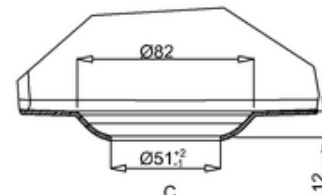
# 41405003230 - Freedom Left hand bath NTR WHT L1500 D950 EXC FEET



B-B



A-A



C  
SCALE 1:2