

MyPlan™ 600x450 Worktop Instructions

41405010700
41405010710
41405010720

Parts Supplied:



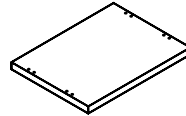
4x



4x

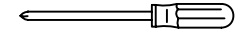
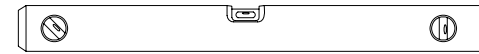


4x

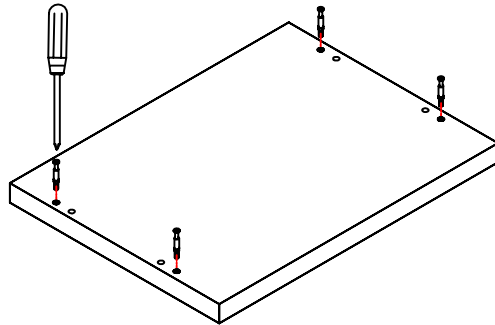


1x

Tools Required:

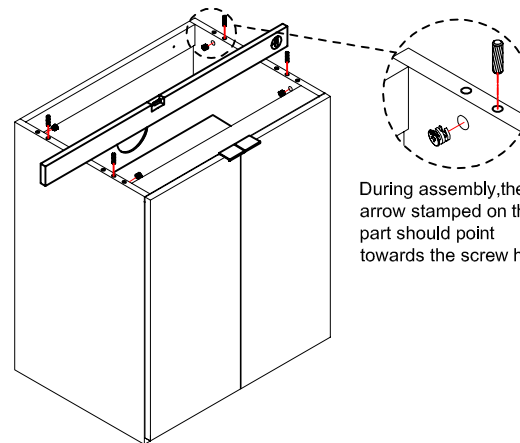


1



- We recommend that any cuts for inset basins, wastes or tap holes be done prior to constructing the cabinet. Care should be taken to tape the surfaces prior to cutting so as to avoid splintering. All cut surfaces should be sealed against moisture penetration.

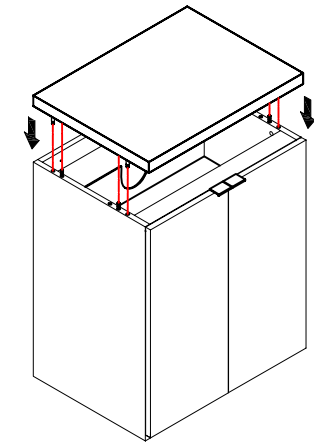
2



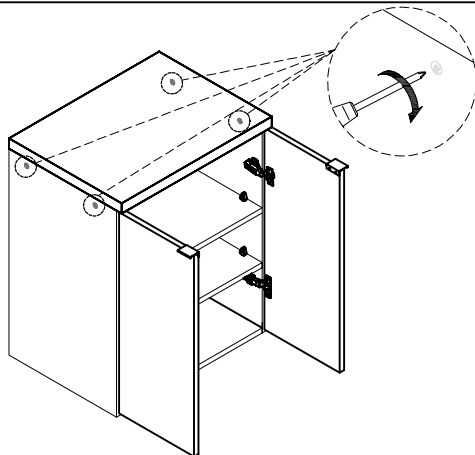
During assembly, the arrow stamped on the part should point towards the screw hole.

- Make sure that the cabinets are level, and flush.

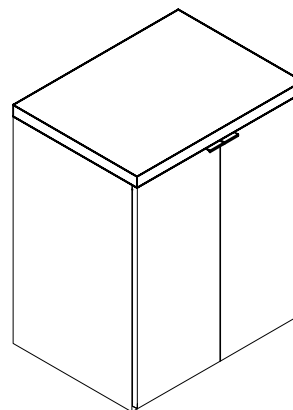
3



4



5



Care and Maintenance :

Please leave with the householder
This furniture is made of wood, and has a water resistant finish. It should not be left wet, and the quality of the finish is best maintained if it is wiped with a dry cloth after use. It should only be cleaned using a soft damp cloth followed by a dry cloth. Do not use bleach or any abrasive cleaner.