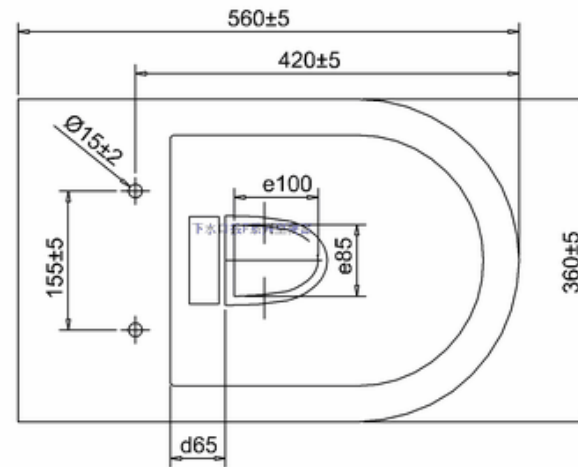
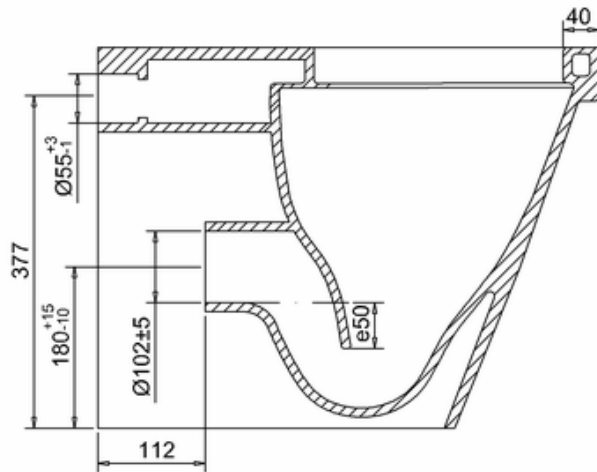




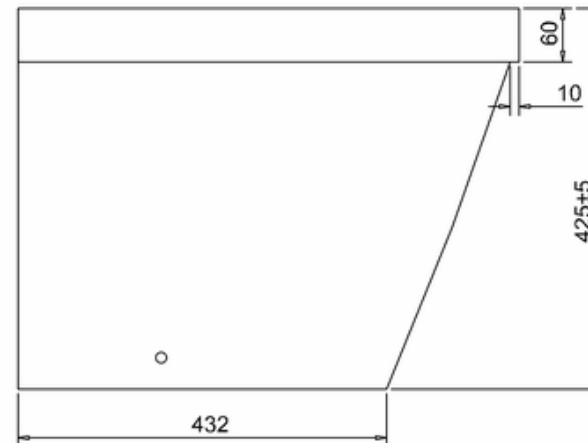
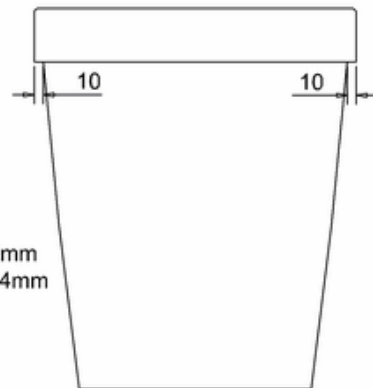
**bathstore**

## 20050030610 - EURO MONO 420 BACK TO WALL PAN WHT



Remark:

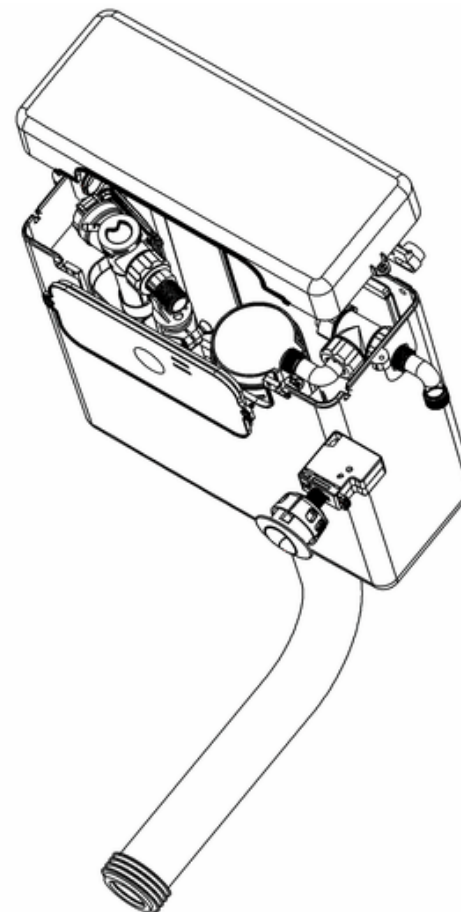
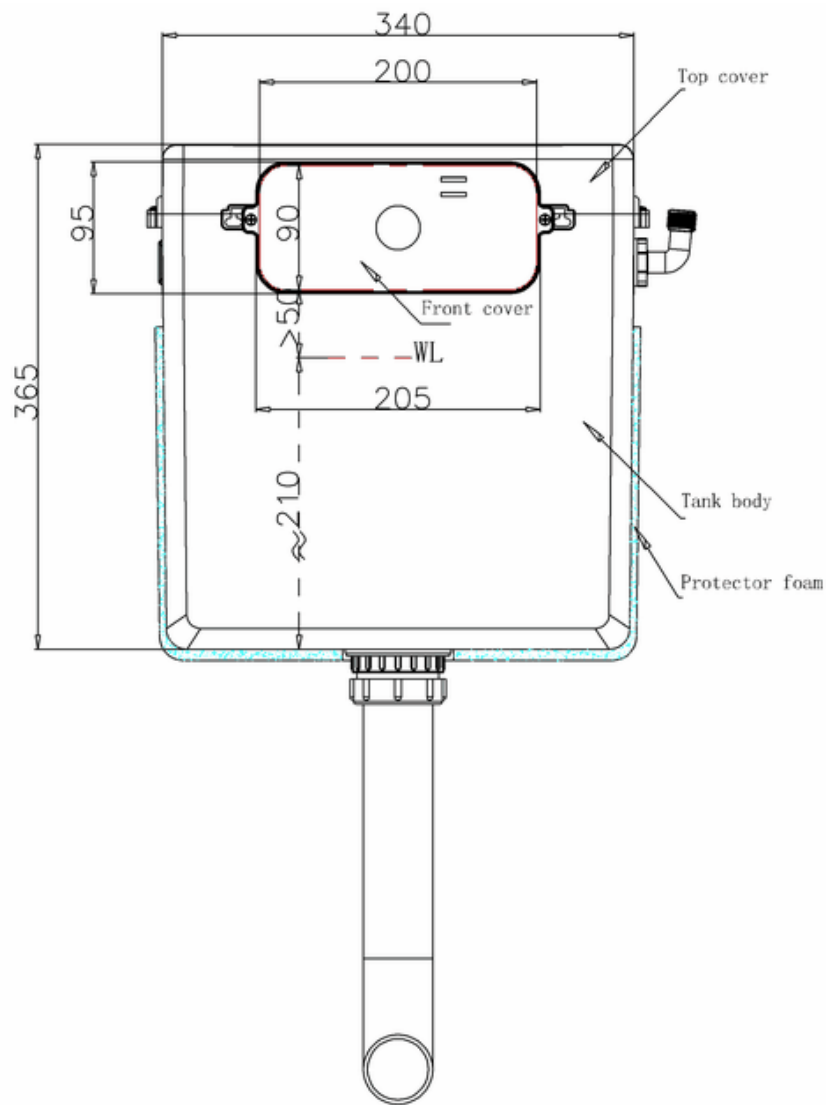
- 1: Flatness of installation surface: 0~2mm
- 2: Flatness of whole surface: 0~5mm
- 3: Depth of water seal: Min.50mm
- 4: Spigot length: Min.40mm
- 5: Clearance around spigot: Min.150mm
- 6: Depth of inlet hole: Min.25mm
- 5: Height difference between left and right: 0~4mm
- 6: Height difference between front and rear: 0~4mm
- 7: From seat hole to front rim:  
For the top control as 2mm;  
For the bottom as 6mm





**bathstore**

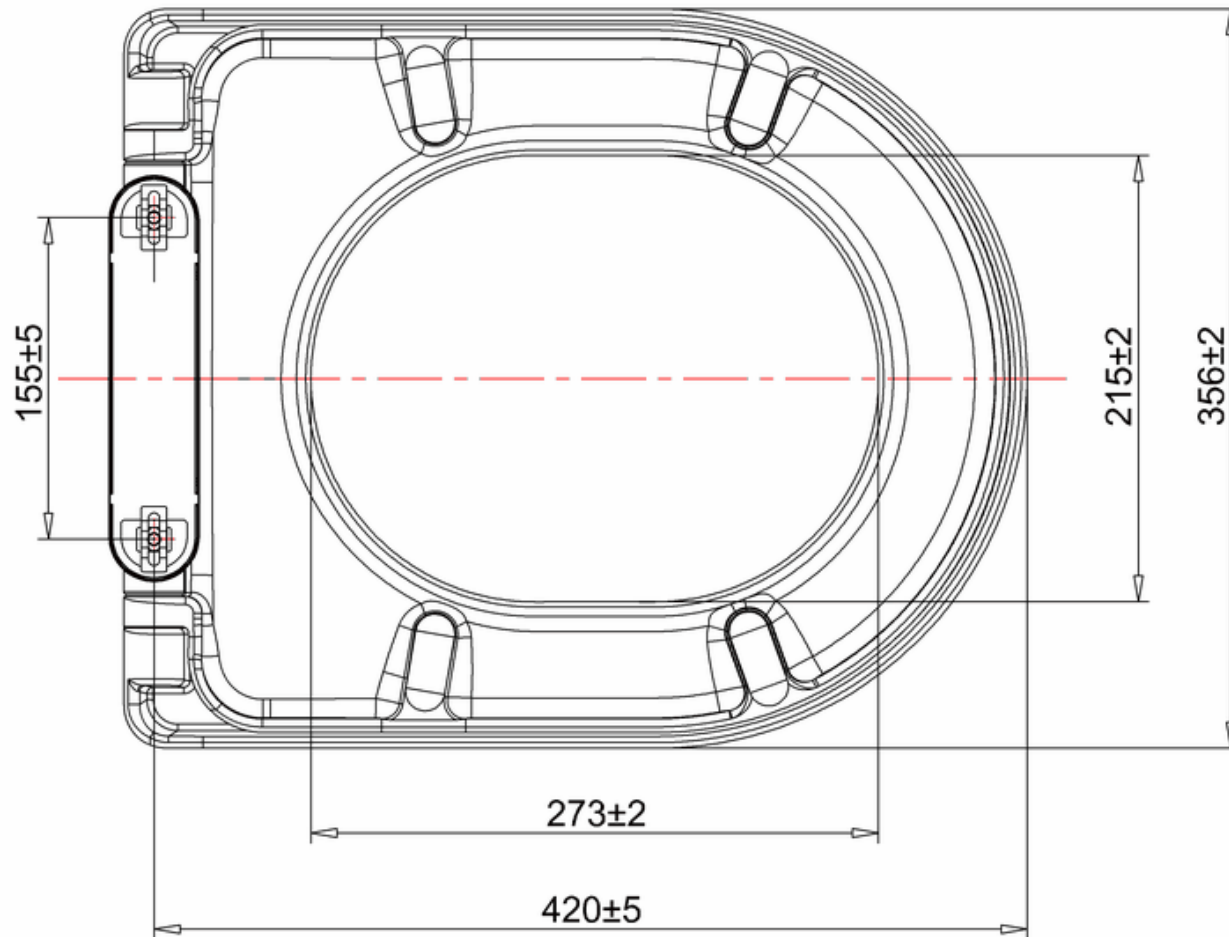
## 41100060170 - MyRoom DUAL CONCEALED CISTERN POLY JACKET FRONT TOP ACCESS 340x365x145





**bathstore**

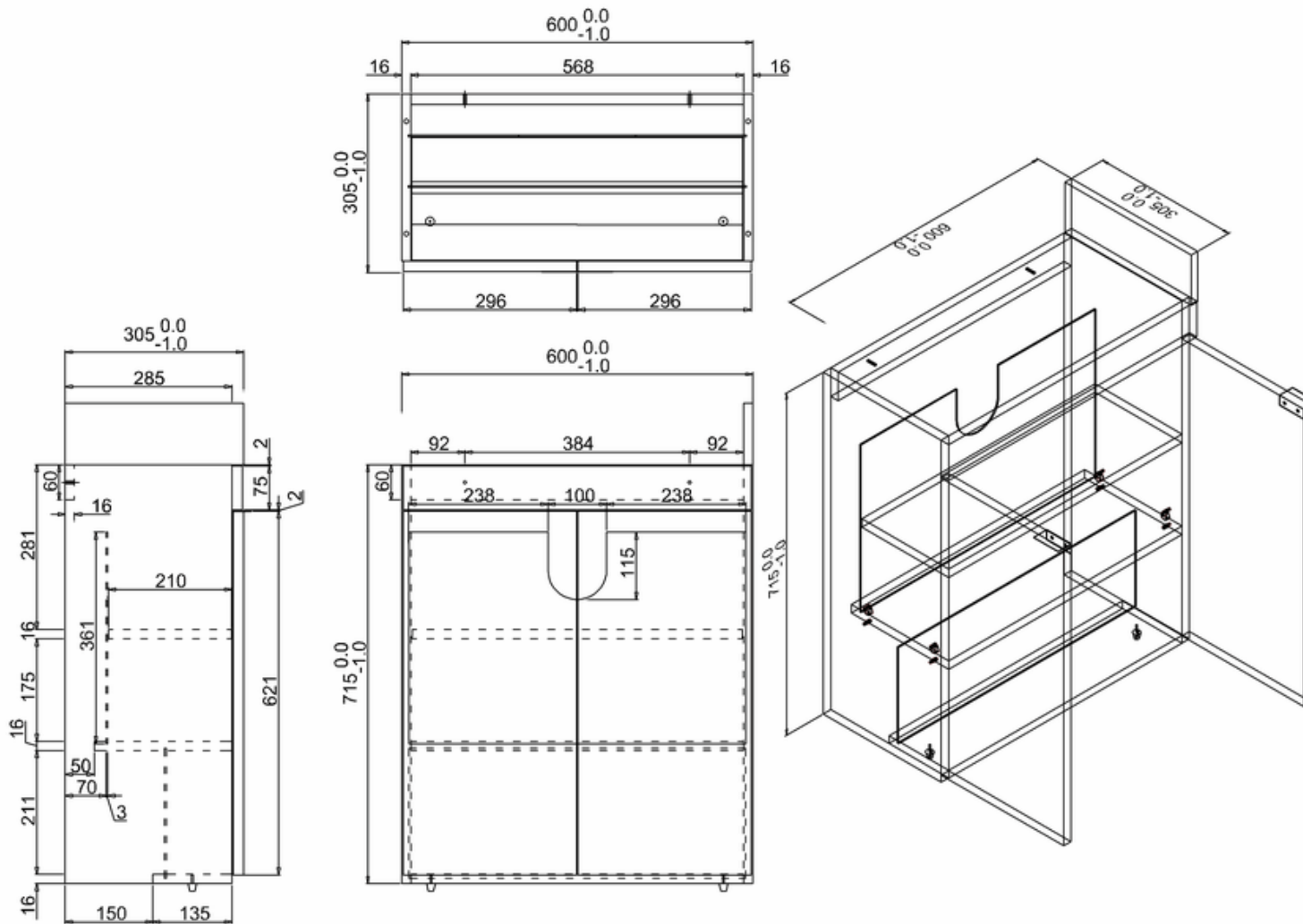
**41200100740 - EURO MONO THERMOSET SOFT CLOSE SEAT  
WHT SINGLE BUTTON RELEASE**





**bathstore**

# 41405010750 - MyPlan 600 BASIN UNIT 305 DEEP GLOSS WHITE W600 D305 H715





bathstore

# 41405010810 - MyPlan 600 BACK TO WALL WC UNIT GLOSS WHITE EXC FITTING W600 D305 H820

