



**bathstore**

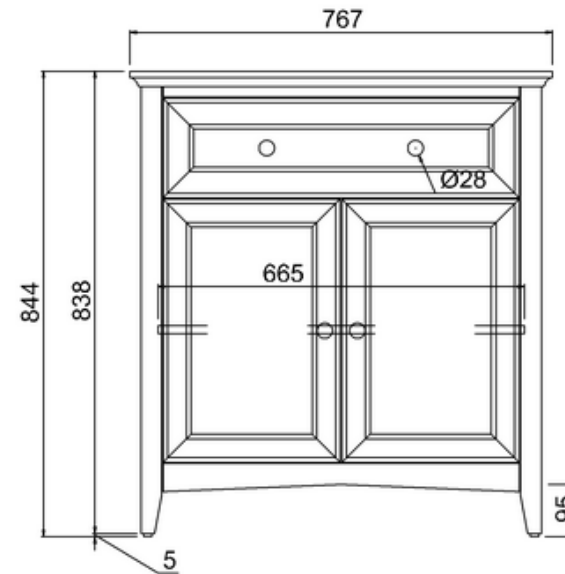
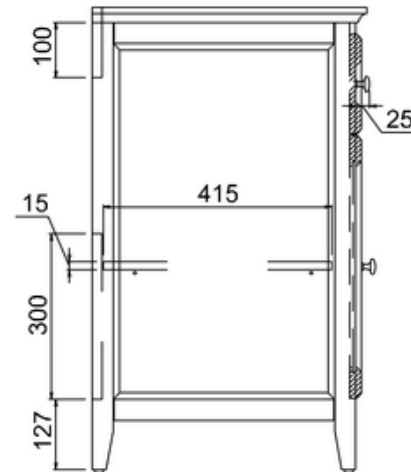
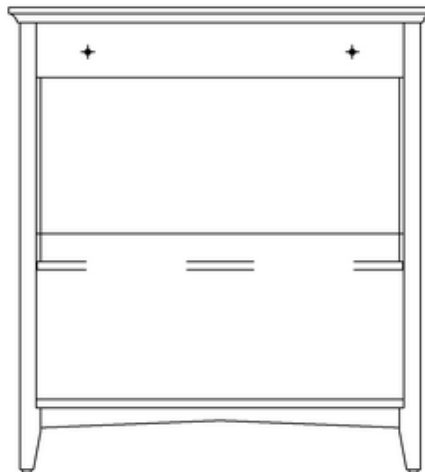
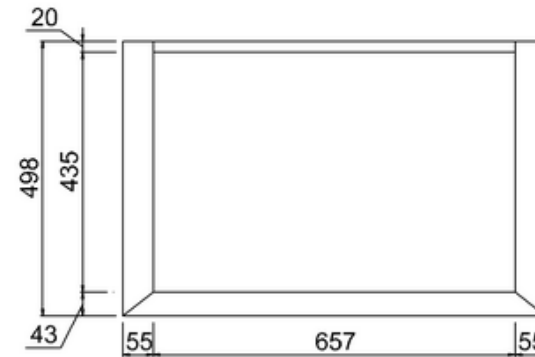
## 20050073100 - SAVOY GUN METAL DOUBLE DOOR BASIN UNIT W787 H855 D508 (NO TOP)

Note:

The length, width, height dimension tolerance is

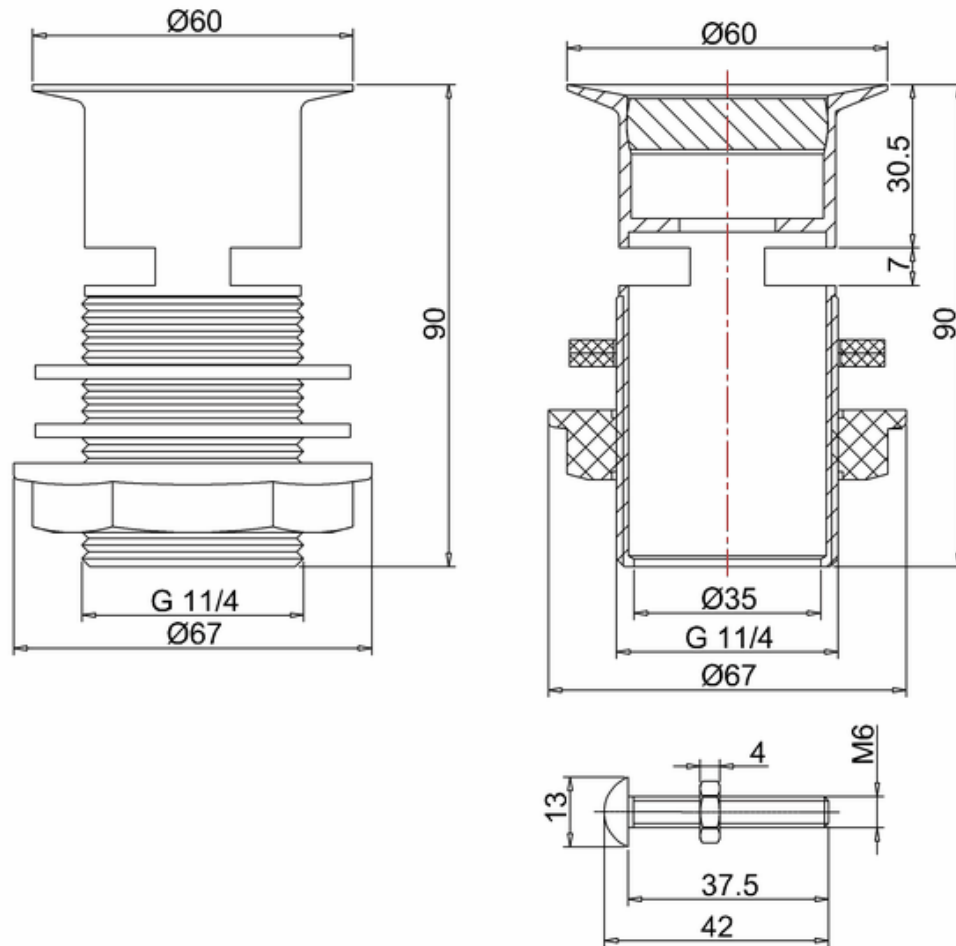
:  $\pm 5$

The shelf dimension tolerance is:  $\pm 2$





## 20003000018 - Flip Top Basin Waste (slotted)



**Note:**

For each part of the accessory, the dimension tolerance should be followed the list below.

0 - 100	101 - 200	201 - 400	$\geq 401$
$\pm 1$	$\pm 2$	$\pm 3$	$\pm 5$

For the finished assembly, the dimension tolerance should be followed the list below.

0 - 300	$\geq 301$
$\pm 2$	$\pm 5$