



bathstore

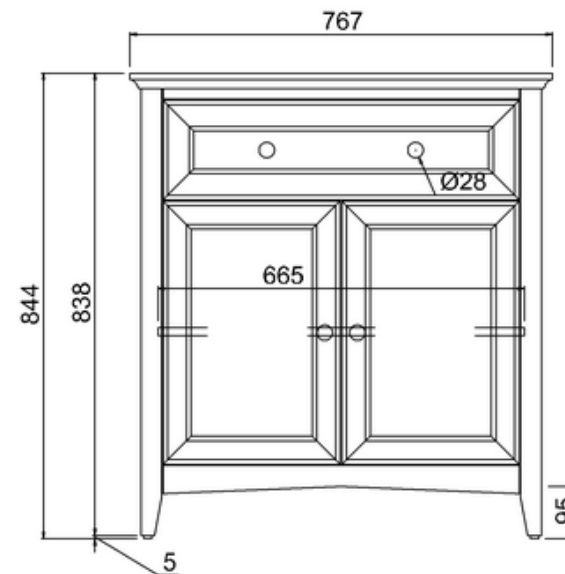
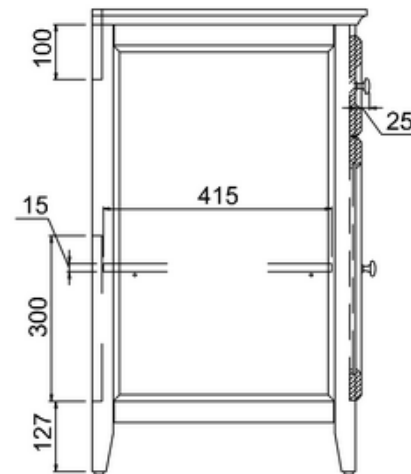
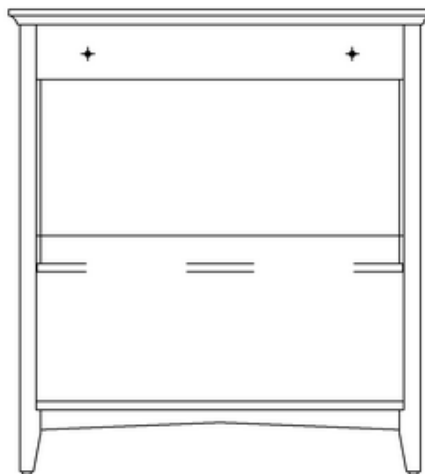
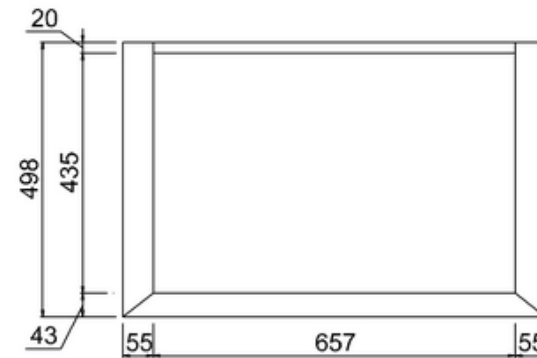
20050072590 - SAVOY OLD ENGLISH WHITE 790 BASIN UNIT DBLE DR - NO TOP W787 H855 D508

Note:

The length, width, height dimension tolerance is

: ±5

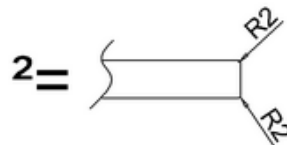
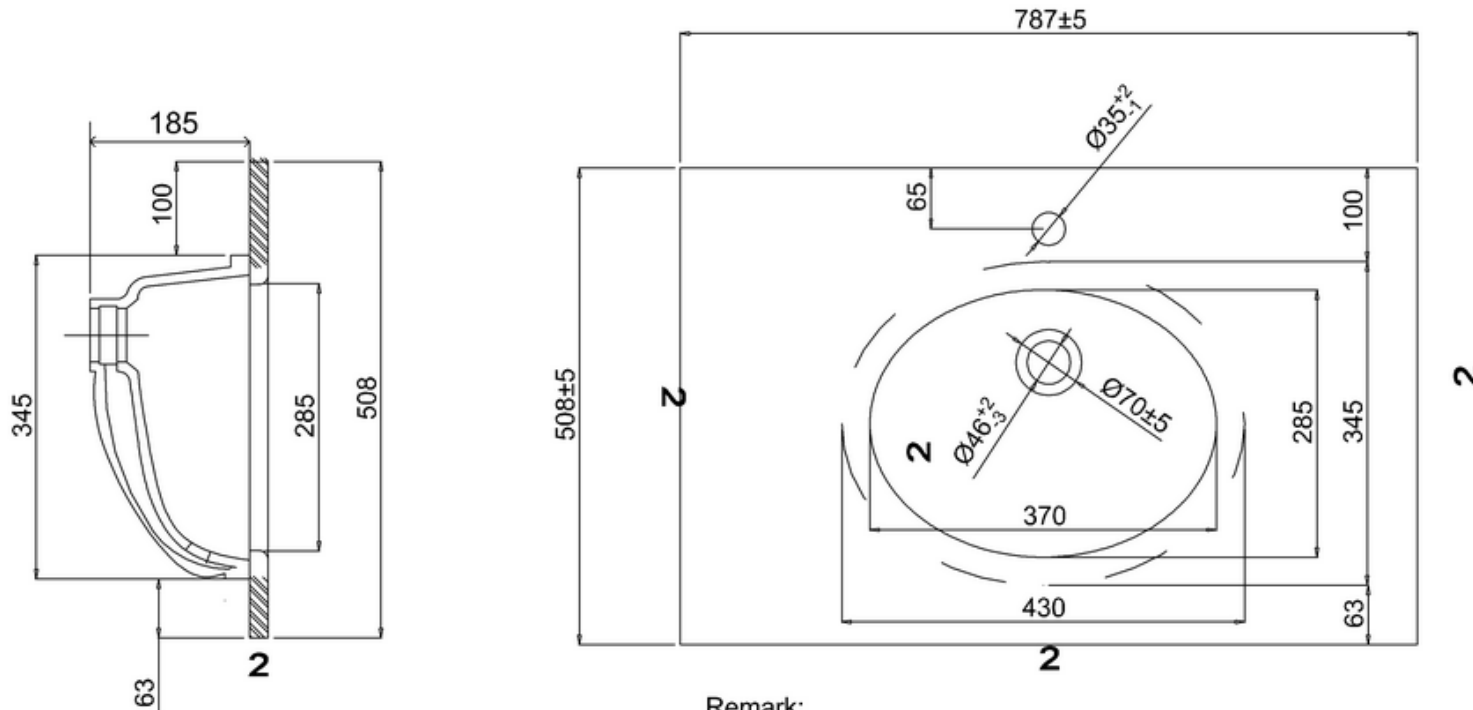
The shelf dimension tolerance is: ±2





bathstore

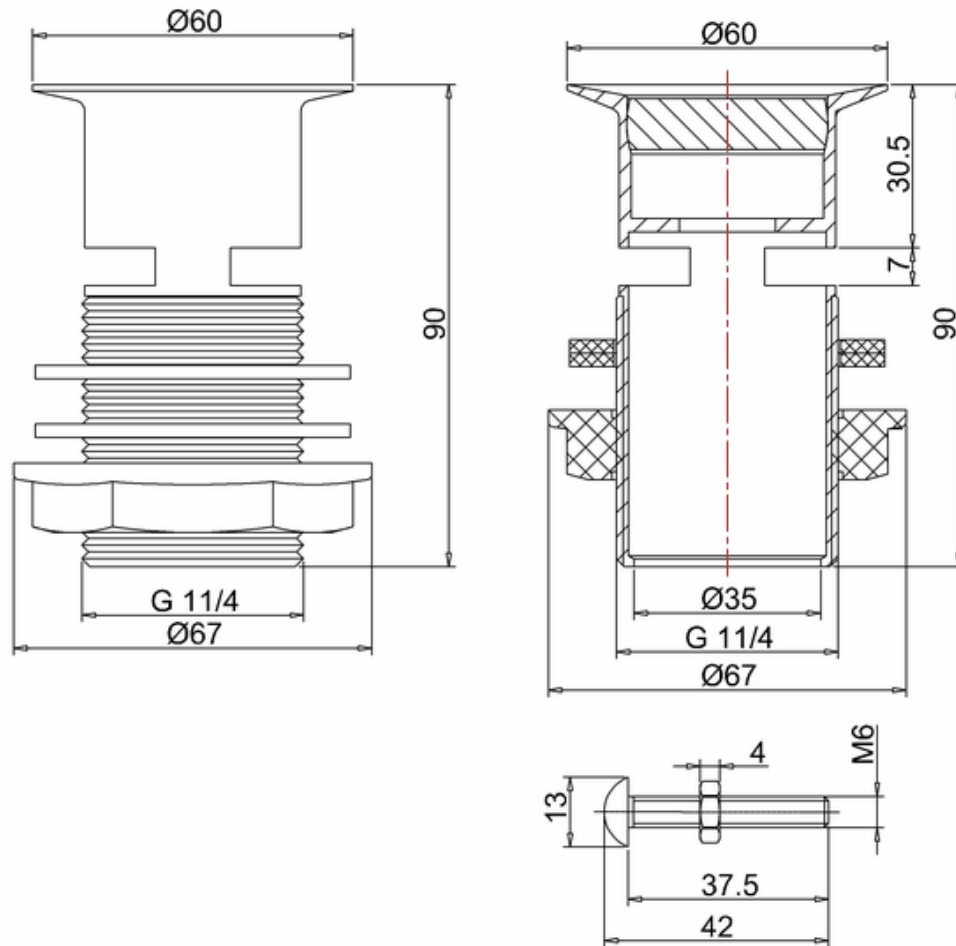
41800070410 - Savoy Double Black 1TH Marble Top & U/C Ceramic Basin W787



Remark:

- 1: Flatness of installation surface: 0~2mm
- 2: Flatness of whole surface: 0~5mm
- 3: Flatness of main surface: 0~5mm
- 4: Flatness of side surface: 0~4mm
- 5: Distance from tap hole to edge of bowel: Max.80mm
- 6: Dim from basin back to center tap hole: Min.55mm
- 7: Distance between tap hole to drain hole: Max.170mm
- 8: Depth from tap platform to drain hole: Max.250mm

20003000018 - Flip Top Basin Waste (slotted)



Note:

For each part of the accessory, the dimension tolerance should be followed the list below.

| 0 - 100 | 101 - 200 | 201 - 400 | ≥ 401 |
|---------|-----------|-----------|------------|
| ± 1 | ± 2 | ± 3 | ± 5 |

For the finished assembly, the dimension tolerance should be followed the list below.

| 0 - 300 | ≥ 301 |
|---------|------------|
| ± 2 | ± 5 |