

Savoy shelf for double and single door basin units

Care and Maintenance : Please leave with the householder

This furniture is made of wood, and has a water resistant finish. It should not be left wet, and the quality of the finish is best maintained if it is wiped with a dry cloth after use. It should only be cleaned using a soft damp cloth followed by a dry cloth. Do not use bleach or any abrasive cleaner.

PARTS SUPPLIED:

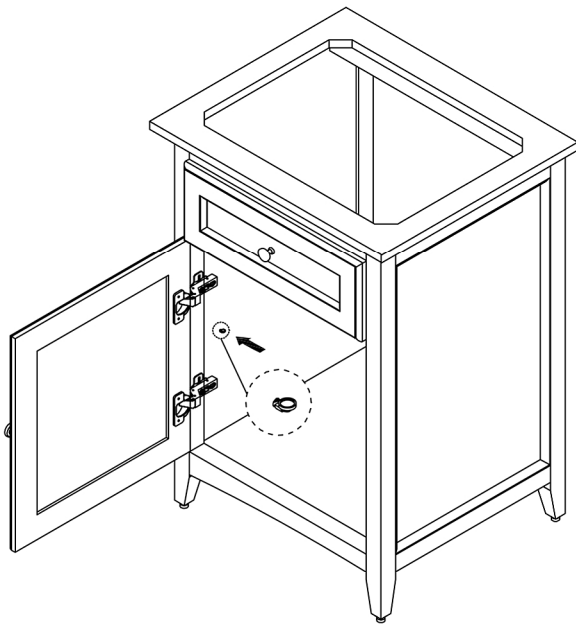


4x

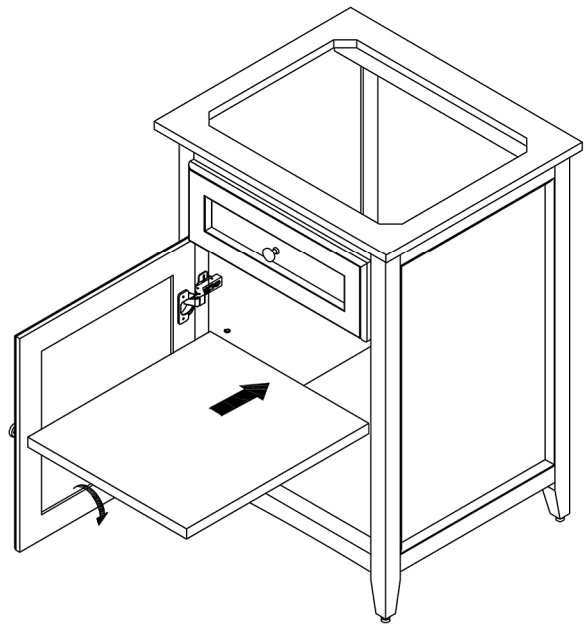


1x

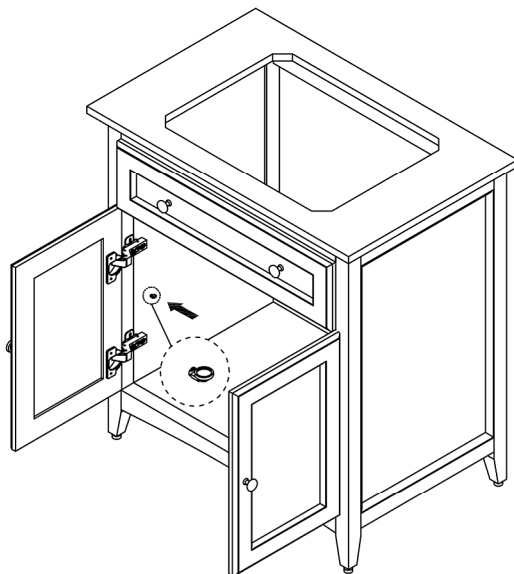
1.



2.



1.



2.

