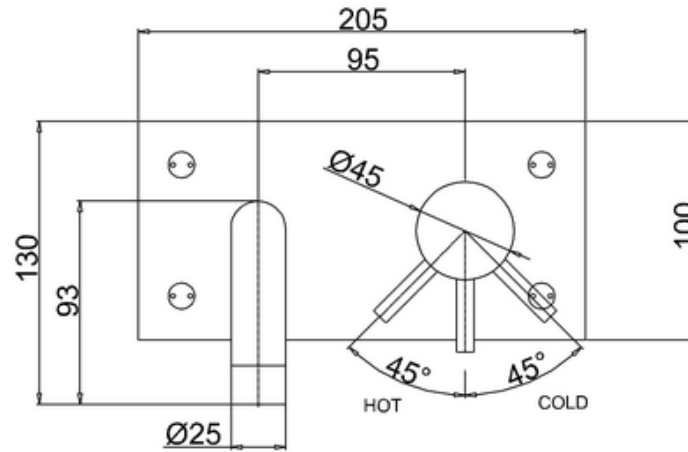
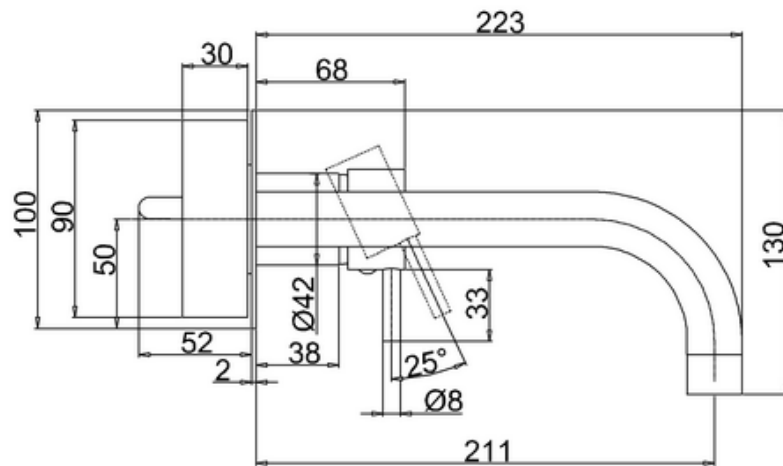




bathstore

20004010120 - METRO BASIN SET 21 cm SPOUT CHR DL121WNC



Note:

For the each part, the dimension tolerance should be followed the list below.

| 0 ~ 100 | 101 ~ 200 | 201 ~ 400 | ≥ 401 |
|---------|-----------|-----------|-------|
| ±1 | ±2 | ±3 | ±5 |

For the finished assembly, the dimension tolerance should be followed the list below.

| 0 ~ 300 | ≥ 301 |
|---------|-------|
| ±2 | ±5 |