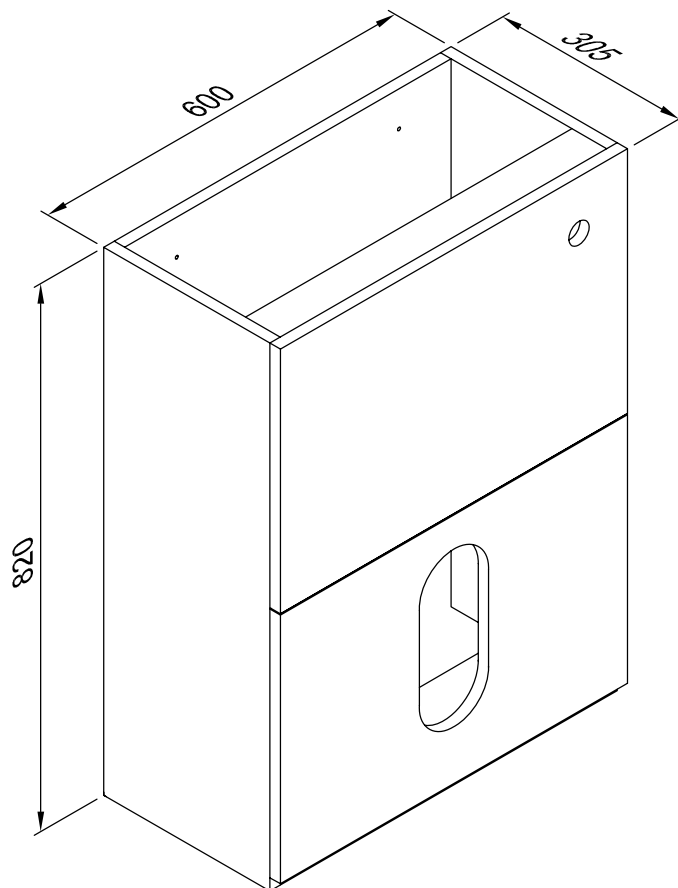


MyPlan 600 BTW WC UNIT Assembly Instructions

41405010810

41405011050

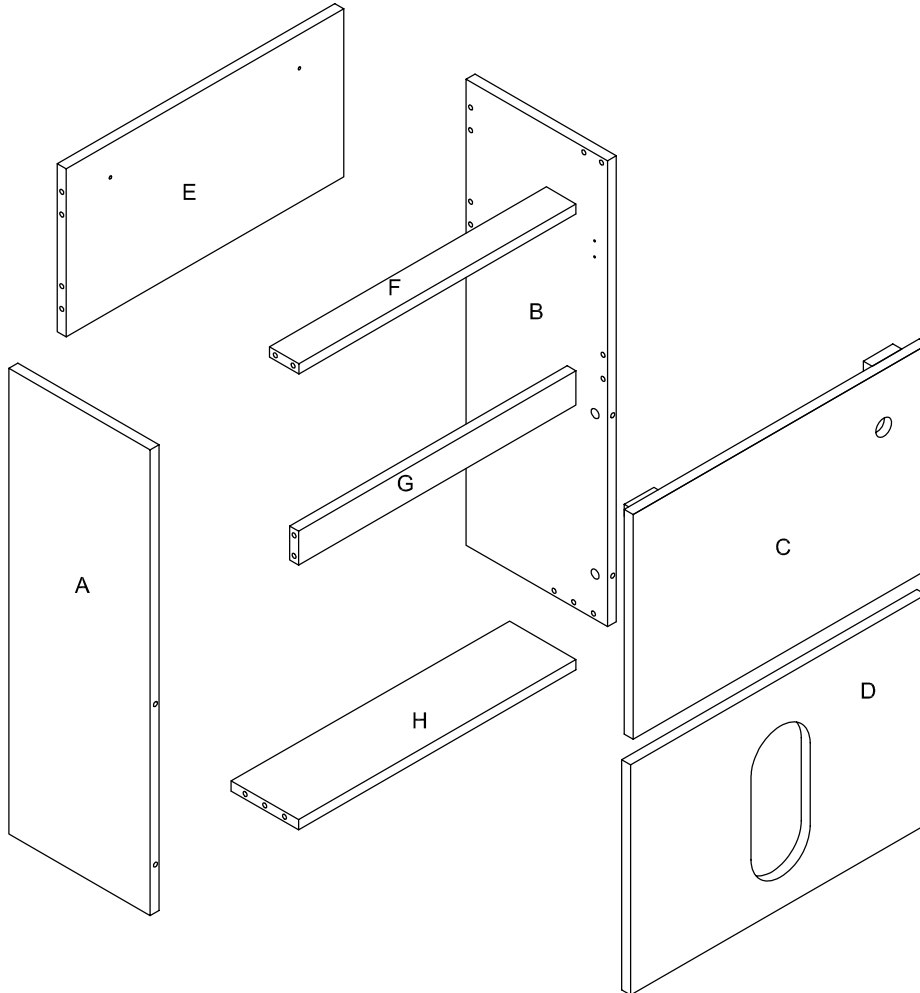
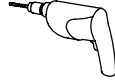
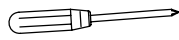
41405011290













Width 600mm

Depth 305mm

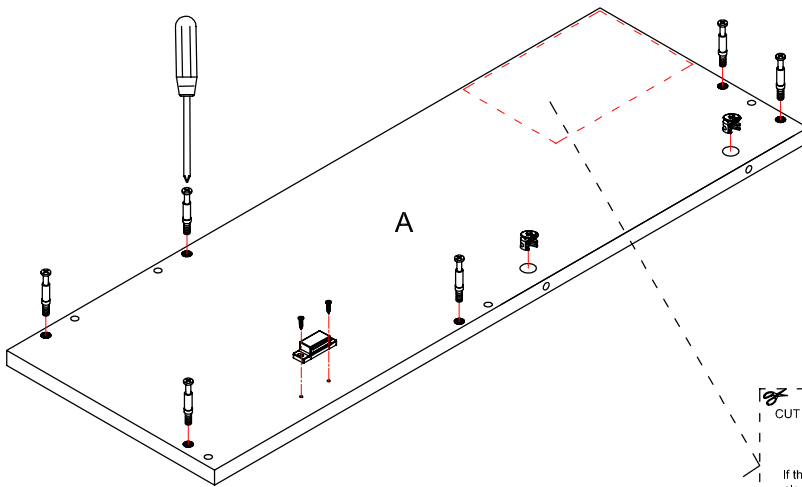
Height 820mm





TOOLS REQUIRED:


CODE	SIZE (mm)	QTY	CODE	DIAGRAM	QTY
A	820 x 285 x 16 (LH)	1	J		16
B	820 x 285 x 16 (RH)	1	K		16
C	600 x 396 x 18	1	L	 ST4 *14mm	8
D	600 x 405 x 18	1	M		2
E	568 x 296 x 16	1	N		2
F	568 x 60 x 16	1	O		2
G	568 x 60 x 16	1	P		2
H	568 x 134 x 16	1	Q	 ST5 * 50mm	2
I		10	R		1

Step 1:

If the furniture conceals pipe runs along the wall, please cut out the corners as shown to create the plumbing void before assembly.



CODE	SIZE/DIAGRAM	QTY
A	820 x 285 x 16	x1
K		x6
J		x2
M		x1
L		x2

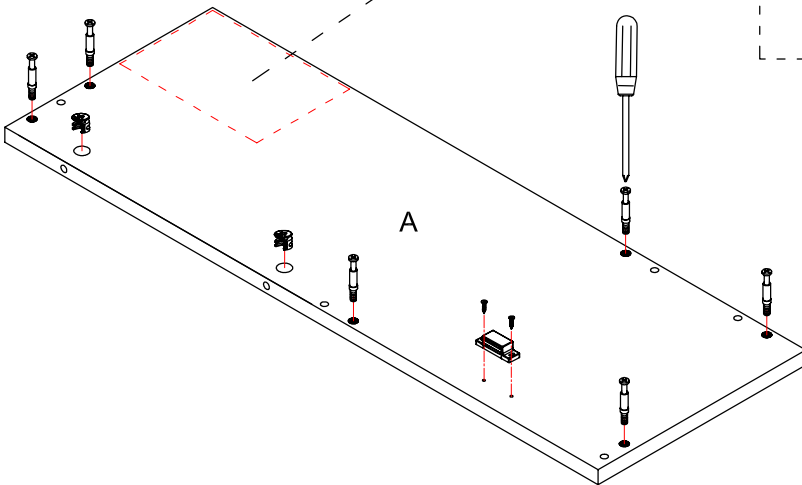
CUT HERE TO CREATE PLUMBING VOID





If the furniture conceals pipe runs along the wall, please cut out the corners as shown to create the plumbing void.

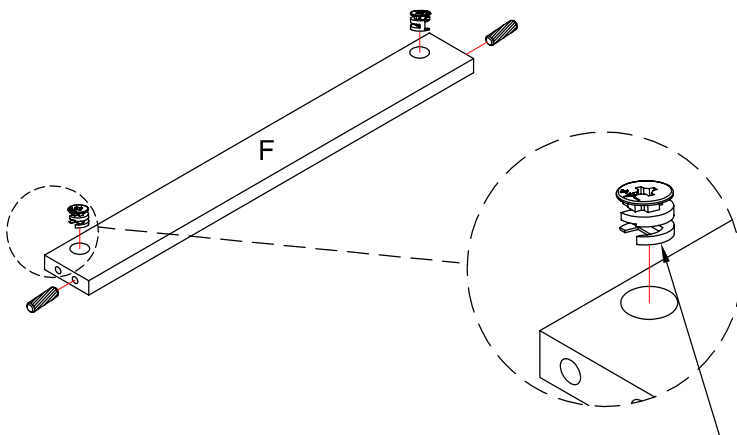
IMPORTANT: The pipe runs should be done prior to fitting the furniture in place. Once fitted there is no access to the pipes apart from at the basin waste and tap connections.



IMPORTANT: Do not cut the sides which will be visible from the outside. Only cut internal sides.

CUT HERE TO CREATE PLUMBING VOID

Step 2:


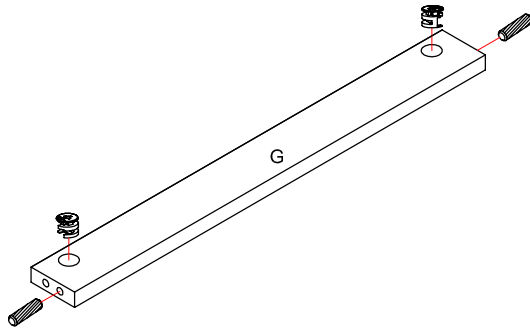
CODE	SIZE/DIAGRAM	QTY
B	820 x 285 x 16	x1
K		x6
J		x2
M		x1
L		x2



Step 3:


CODE	SIZE/DIAGRAM	QTY
F	568 x 60 x 16	x1
I		x2
J		x2

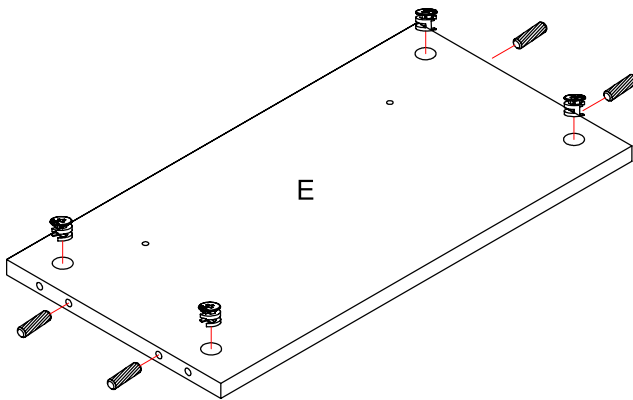
During assembly the arrow stamped on part (J) should point towards the screw hole.



Step 4:



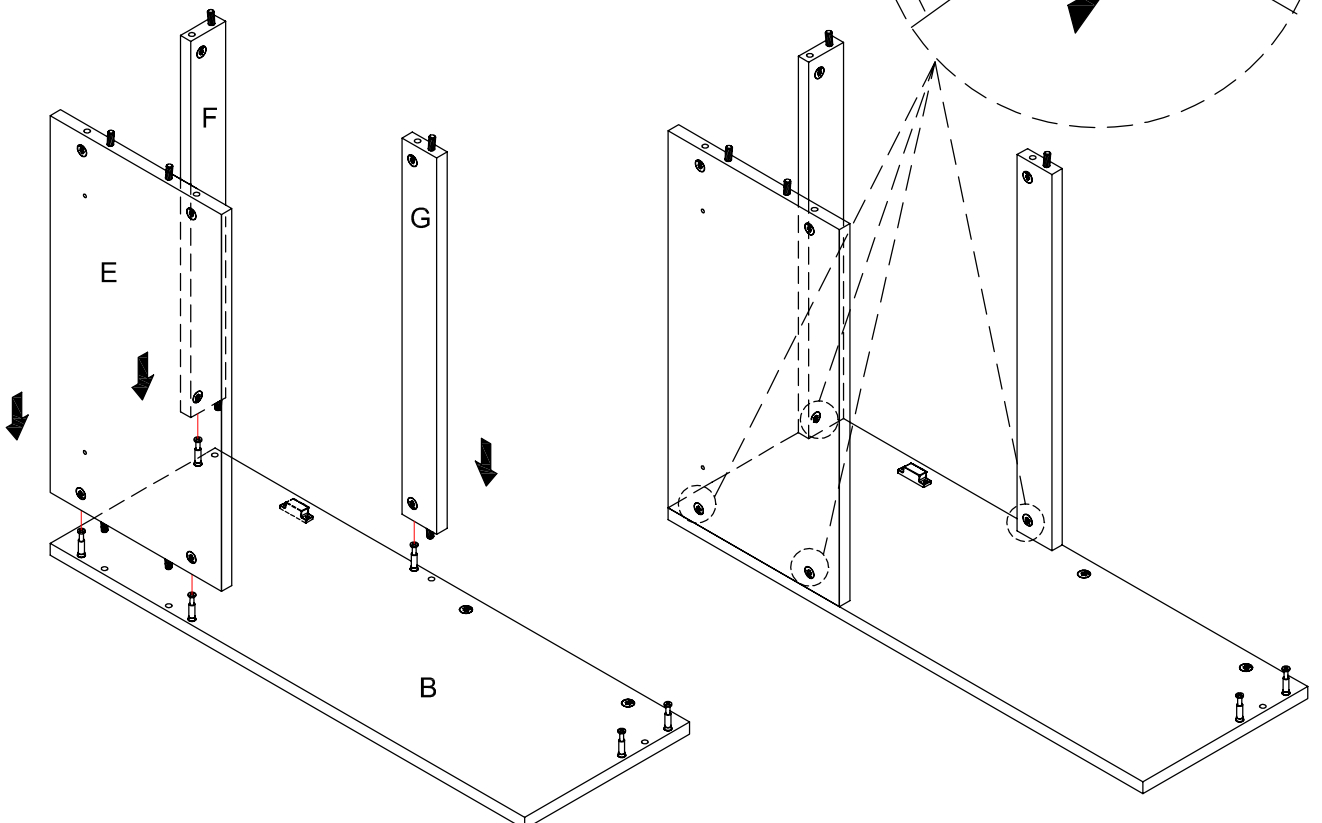
CODE	SIZE/DIAGRAM	QTY
G	568 x 60 x 16	x1
I		x2
J		x2

Step 5:

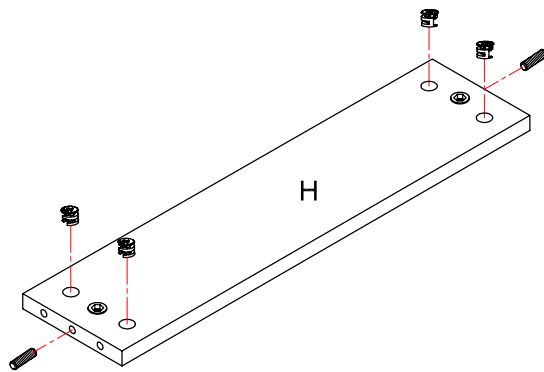




CODE	SIZE/DIAGRAM	QTY
E	568 x 296 x 16	x1
I		x4
J		x4

Step 6:

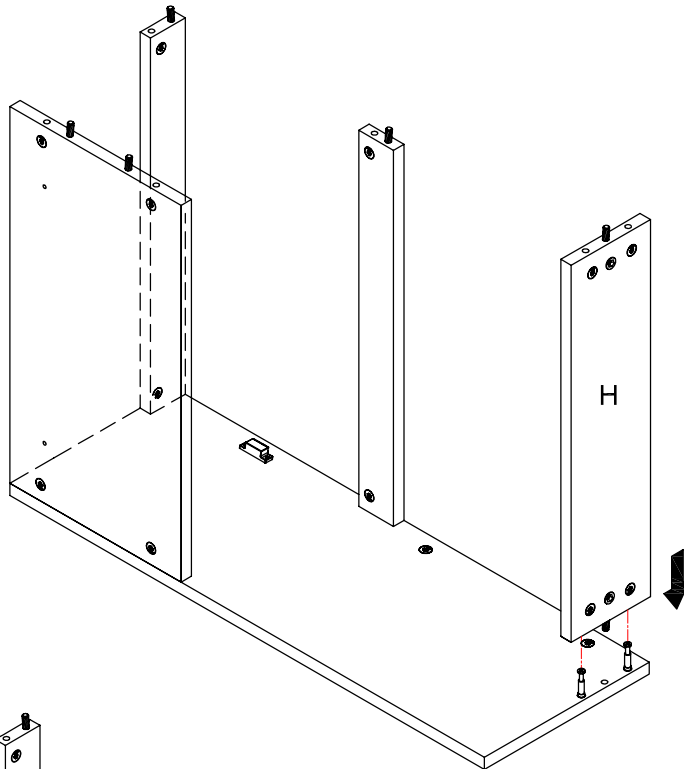


Step 7:

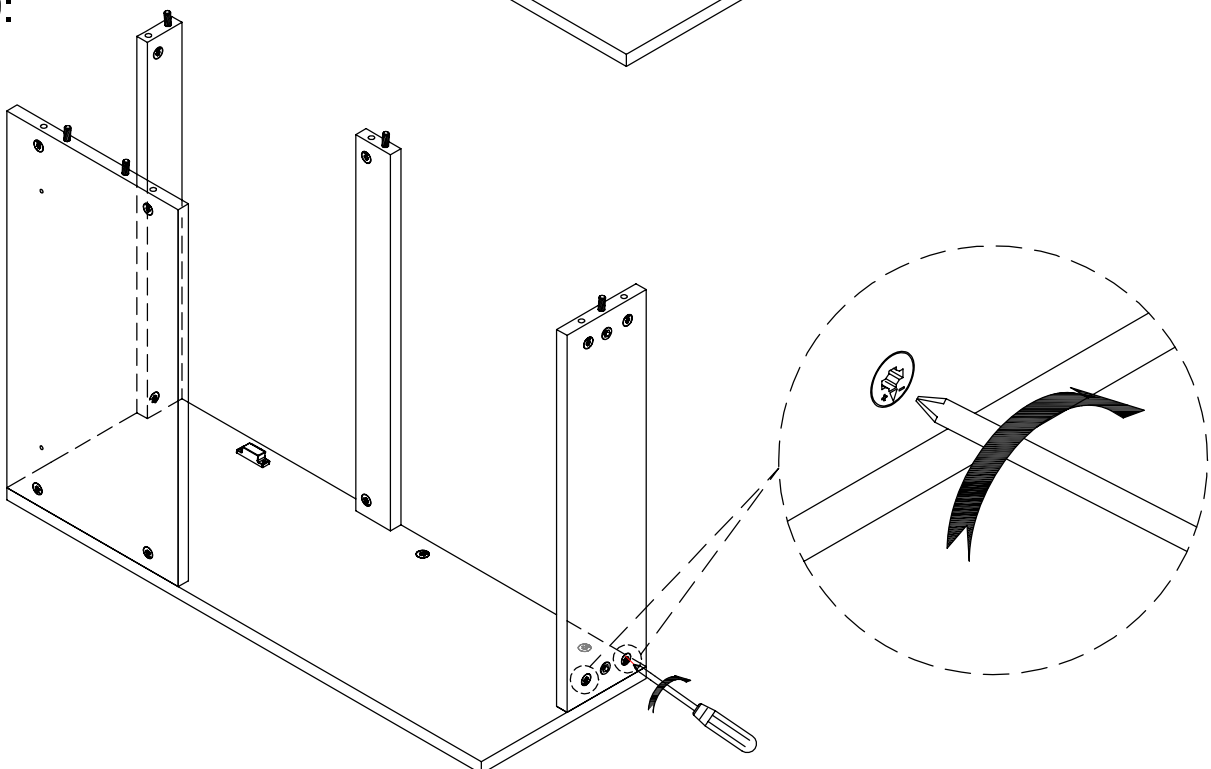


CODE	SIZE/DIAGRAM	QTY
H	568 x 134 x 16	x1
I		x2
J		x4

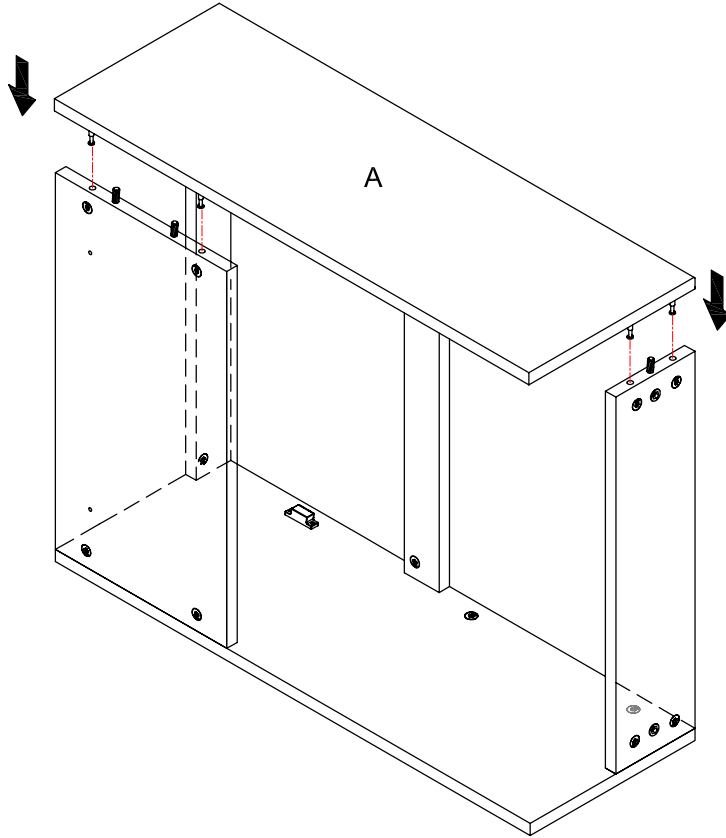
Step 8:



Step 9:

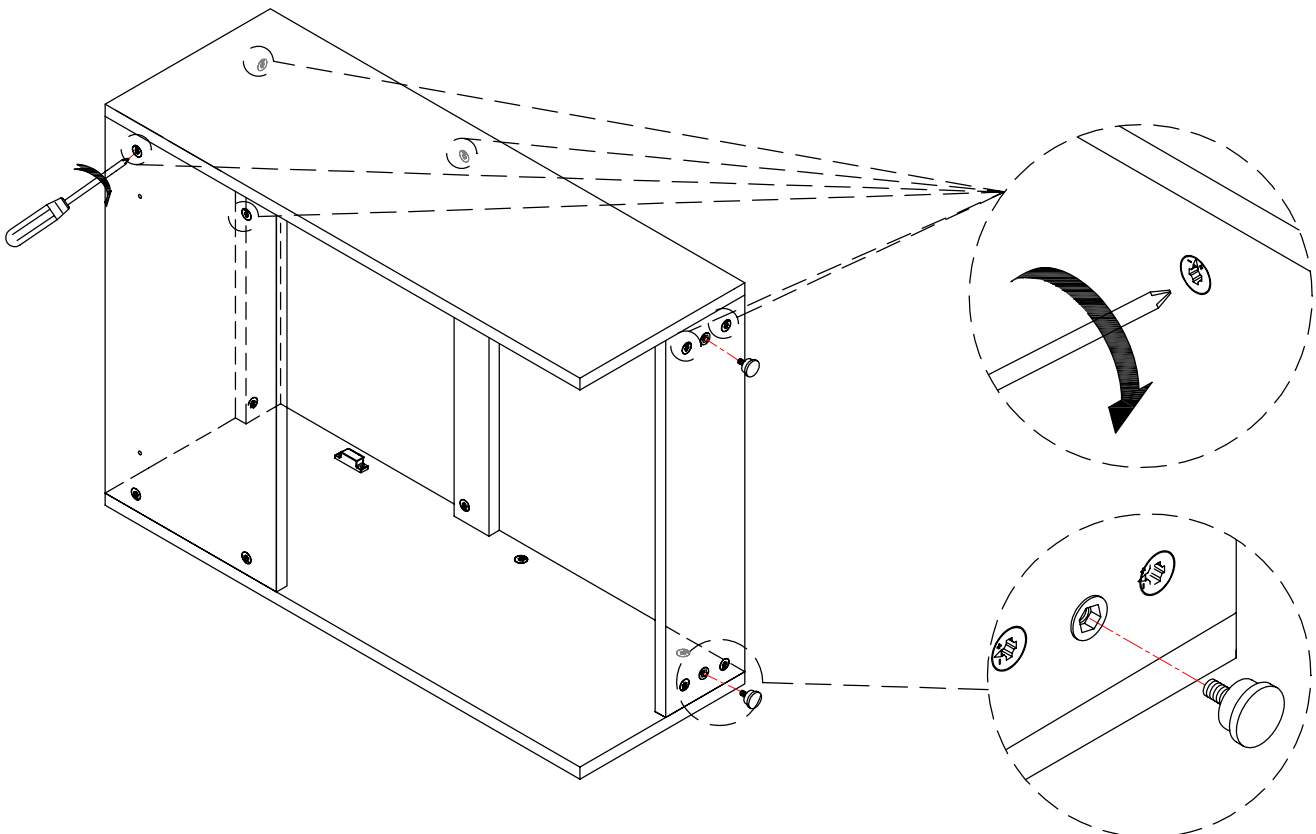


Step 10:



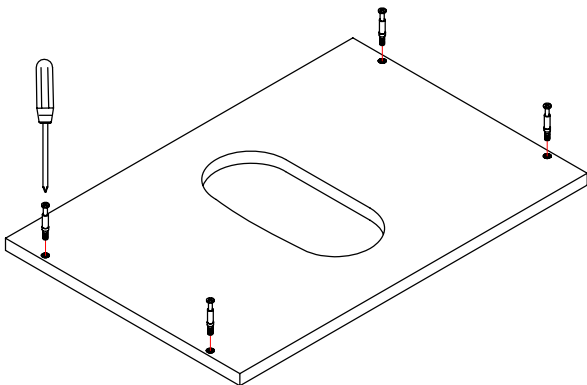
Step 11:

CODE	SIZE/DIAGRAM	QTY
O		x2

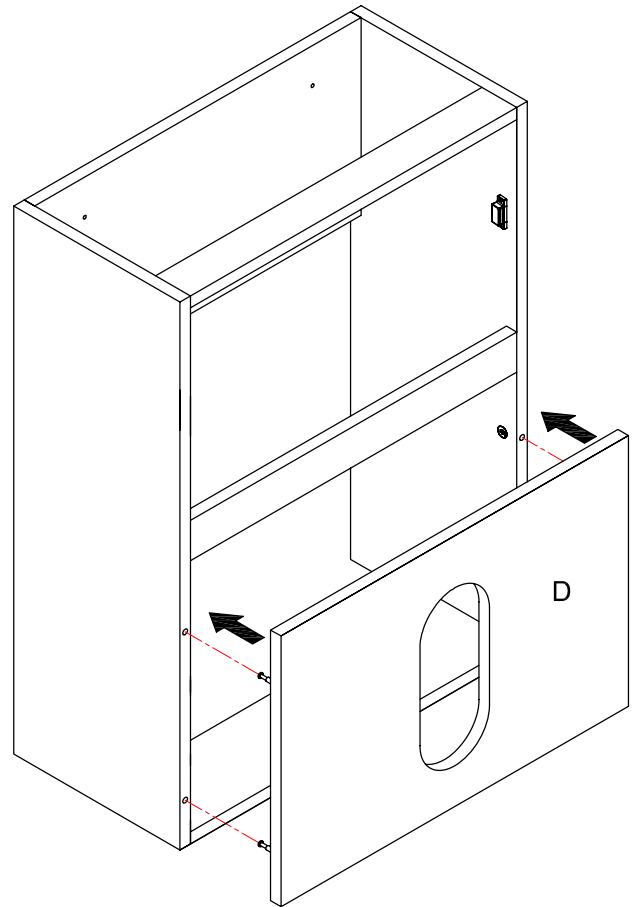


Step 12:

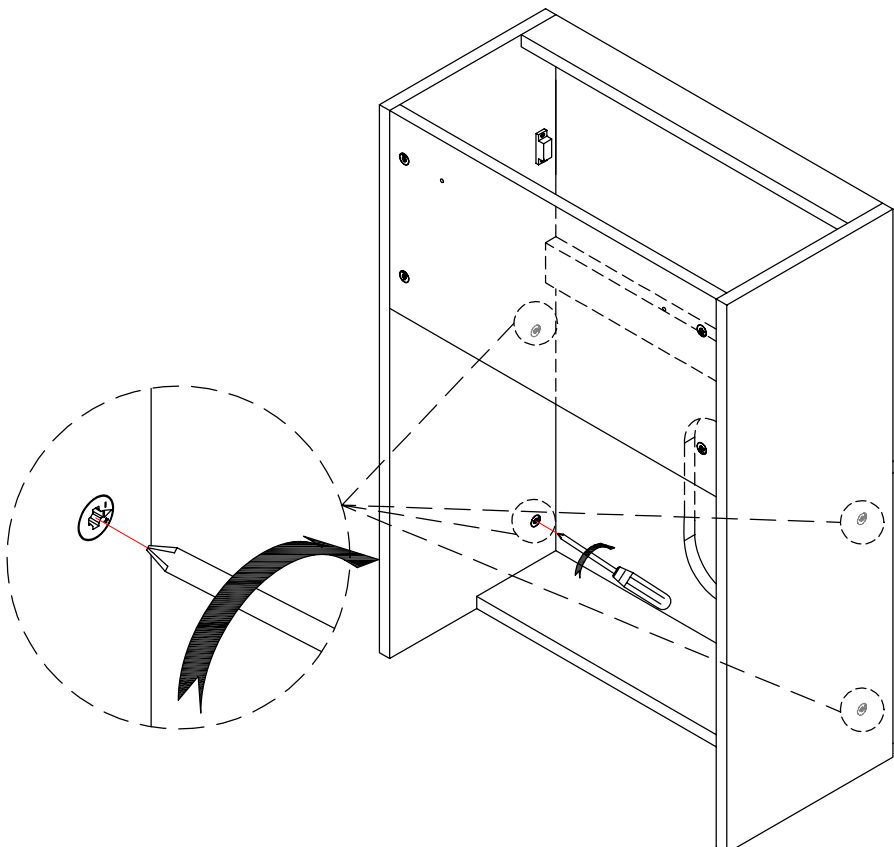
CODE	SIZE/DIAGRAM	QTY
D	600 x 405 x 18	x1
K		x4





Step 13:

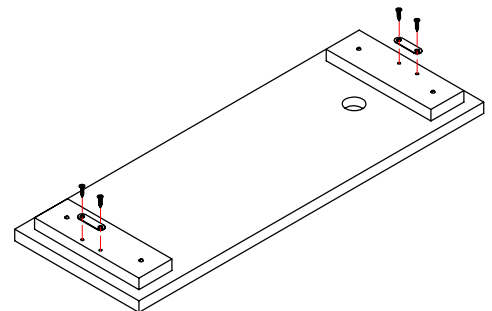


Step 14:

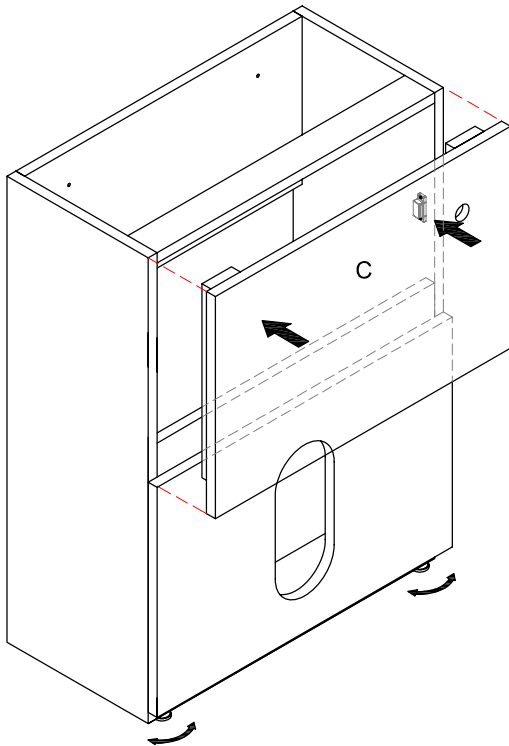


Step 15:



CODE	SIZE/DIAGRAM	QTY
C	600 x 396 x 18	x1
N		x2
L		x4

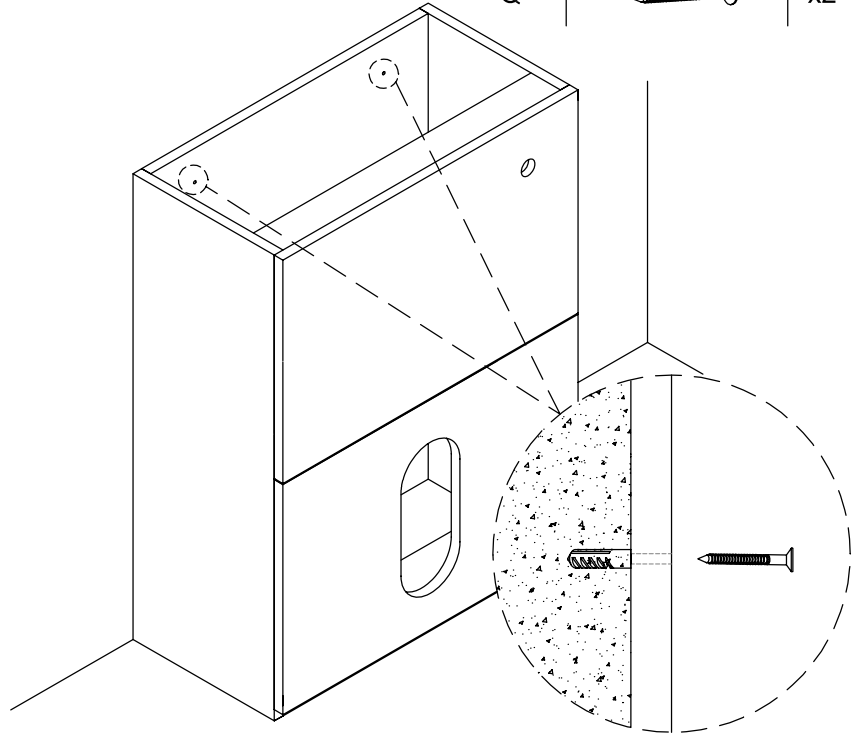


Step 16:

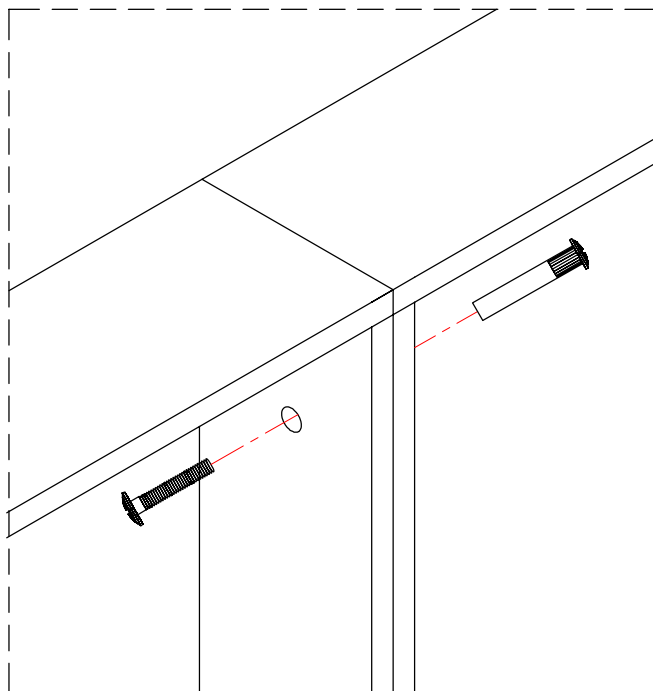


Step 17:

CODE	SIZE/DIAGRAM	QTY
P		x2
Q		x2



Step 18:



CODE	SIZE/DIAGRAM	QTY
R		x1

Once the units have been installed and are level and before fully tightening the wall fixings, they should be joined together using the joining bolts (R) to give extra strength.

Note: Before drilling the units ensure that you avoid any runners, hinges, shelves or pipe work.

Carefully drill small pilot holes (Ø3mm) through the sides of both units. Drill full size holes (Ø6mm), part way through one side then finish off by drilling through from the other side; this will avoid splintering the wood veneer. Once joined together, fully tighten the wall fixings.

Care and Maintenance

Please leave with the householder

This furniture is made of wood, and has a water resistant finish. It should not be left wet. The quality of the finish is best maintained if it is wiped with a dry cloth after use. It should only be cleaned using a soft damp cloth followed by a dry cloth. Do not use bleach or any abrasive cleaner.