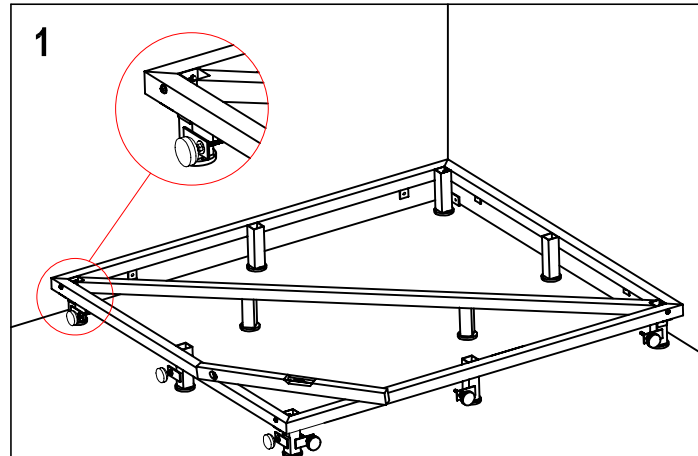


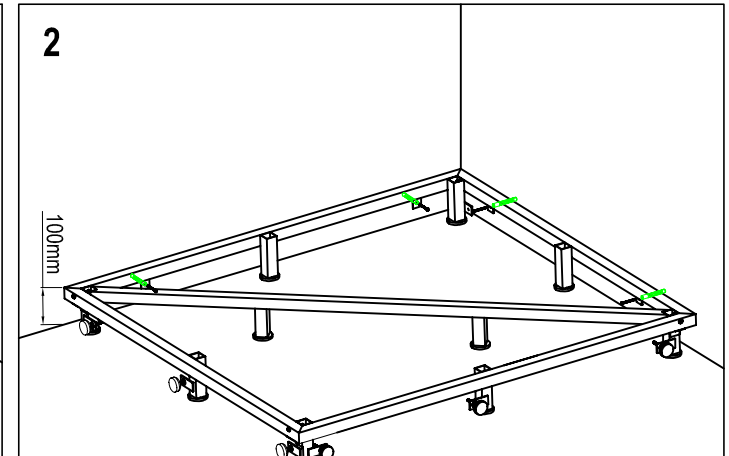
CODE	NAME	QTY
005	Feet	10
002	Magnet	6
003	Wall plug	4
004	Wall screw	4
001	Screw	6

1



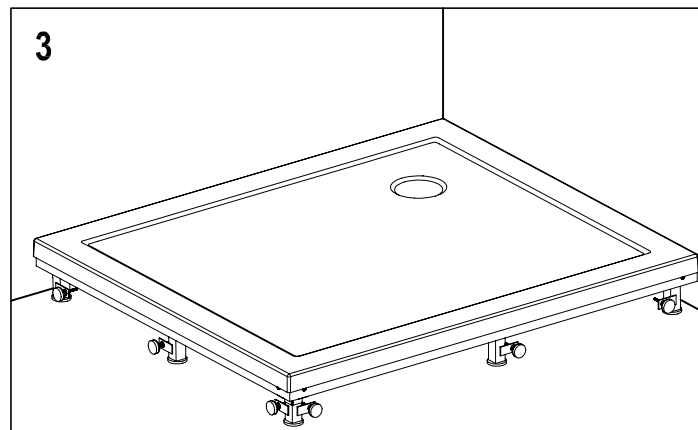
- Place the frame in position ,adjust the frame so that the room facing sides should all be 100mm allowing the remaining 4 height adjusters to compensate for uneven floors.
- Magnets should be facing outwards.

2



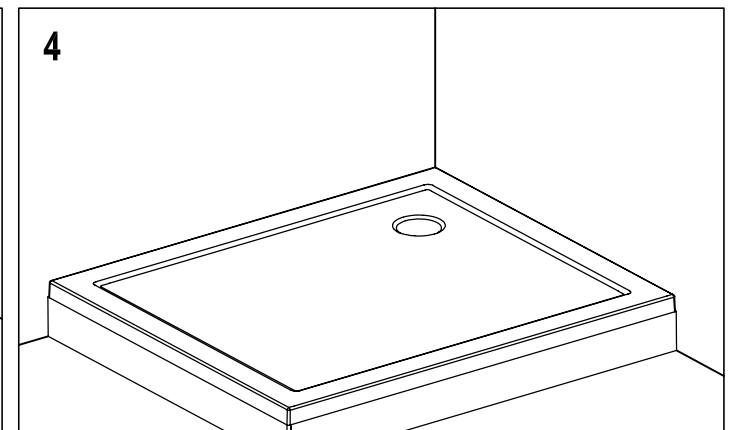
- Fix the frame to the wall.
- Frame may also be fixed to the floor, but fixings for this are not included.

3



- Place tray on to frame, and install waste.
- Please follow waste install on instruction that are supplied with the high flow waste.
- Once the waste is fitted generously apply silicon to top of the frame, and set tray onto frame.

4



- Attach panels.
- Before installing shower enclosure complete tiling and grouting. The tray must be sealed and level before installation of shower tray.

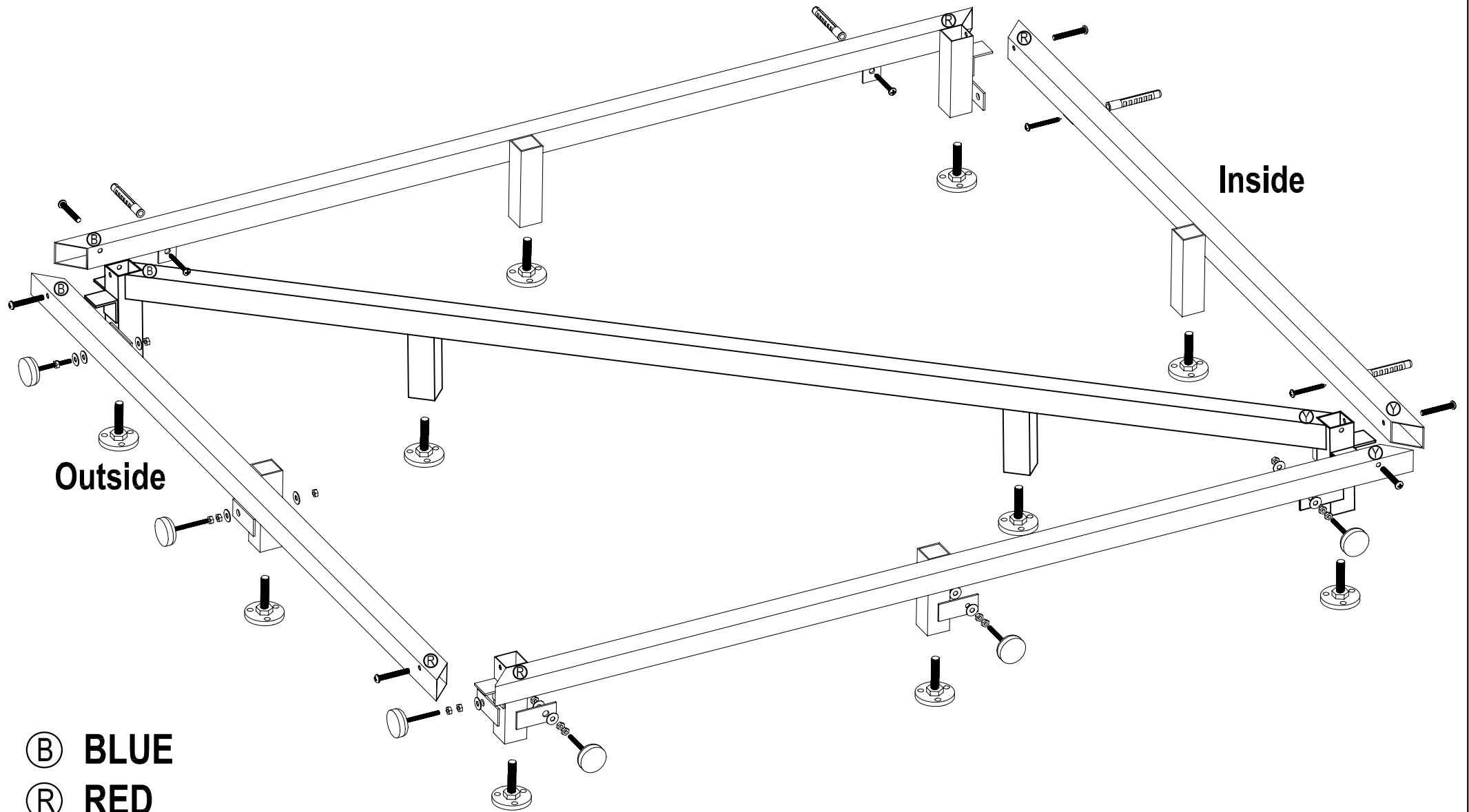
For any further information please contact Bathstore on: **08000 23 23 23**

Or visit our website at www.bathstore.com

The manufacturer reserves the right to make technical modifications without prior notice.

The wall screws and plugs provided are suitable for masonry walls. Please ensure that the fixings you use are suitable for the wall construction.

Frame Assembly



(B) BLUE

(R) RED

(Y) YELLOW



Frame may also be fixed to the floor, but fixings for this are not included.
If you need to reverse the installation then switch the two parts as required: outside, inside.