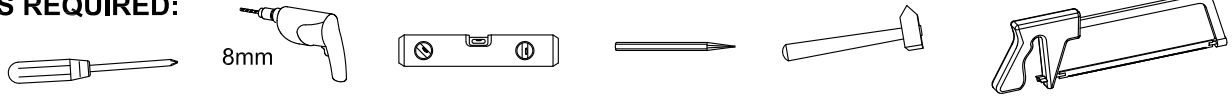
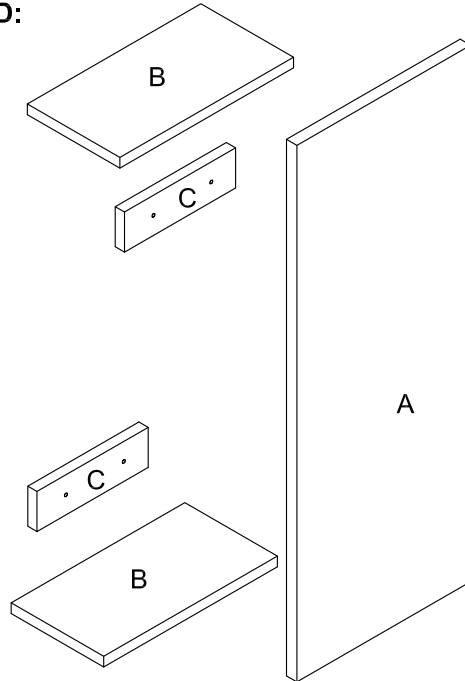
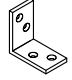




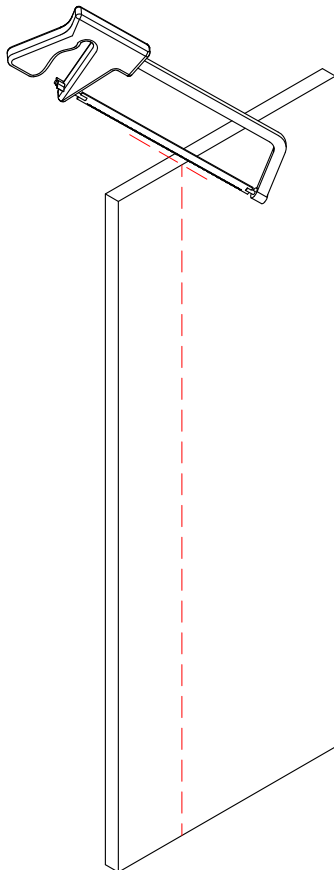


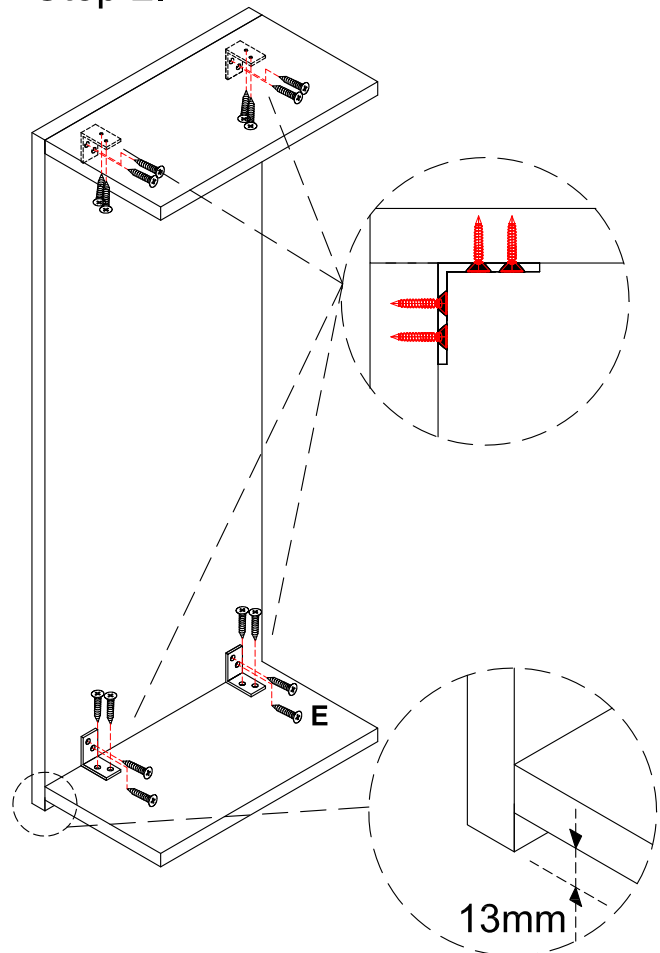
# MyPlan Wall Unit Filler Panel Instructions

**TOOLS REQUIRED:**

**PARTS SUPPLIED:**


CODE	DIAGRAM	QTY
D		4
E	 ST4*14mm	16
F	 ST4*30mm	4
G		4
H		4

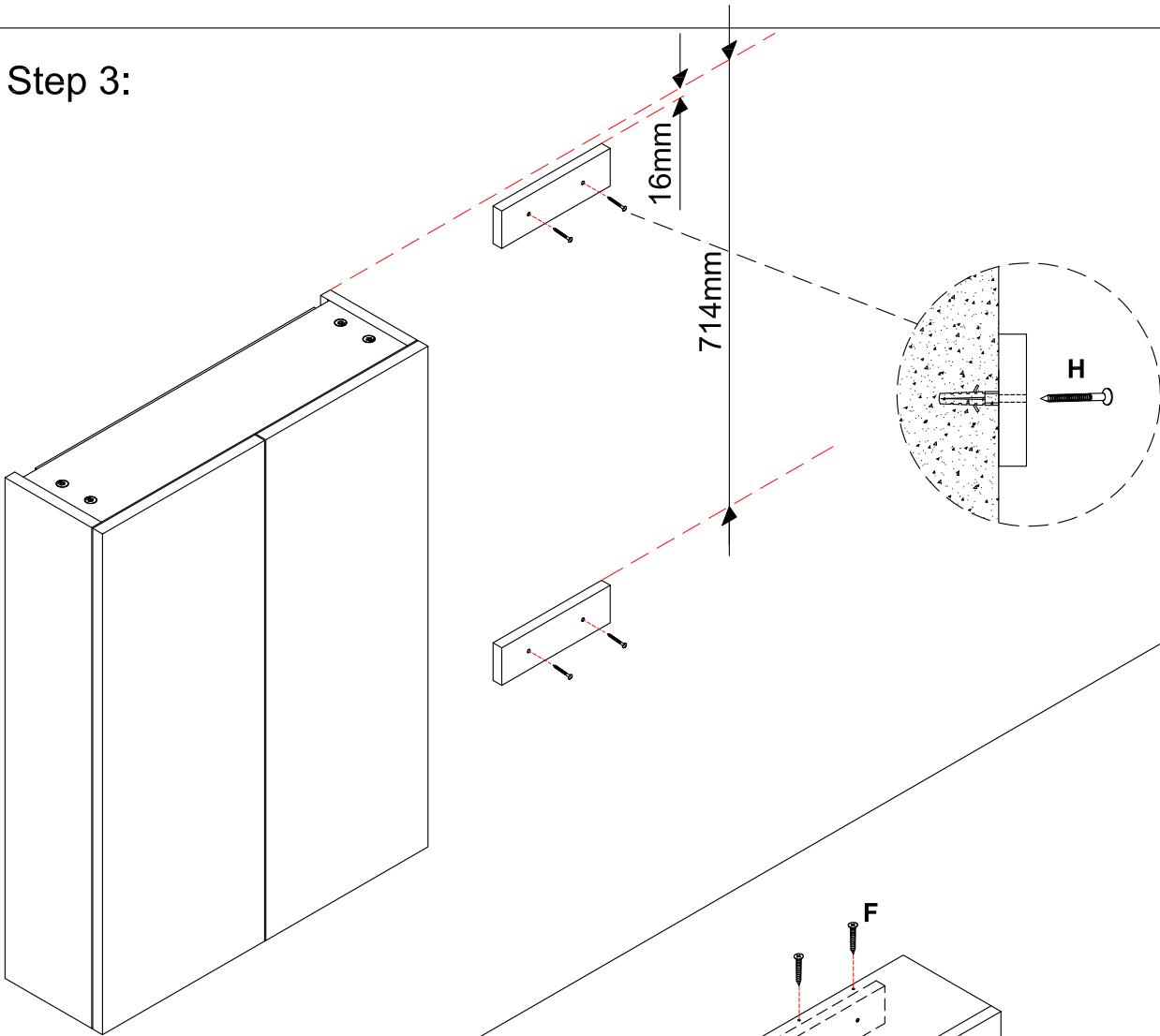
**Step 1:**


The wooden boards (A, B, C) could be cut to required length if necessary before installation.

**Step 2:**


13mm

Step 3:



Step 4:

