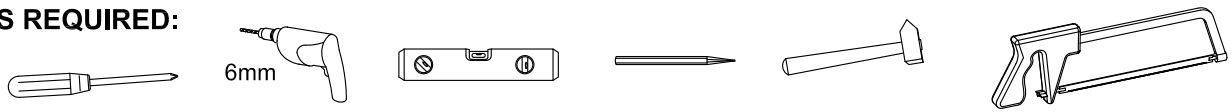
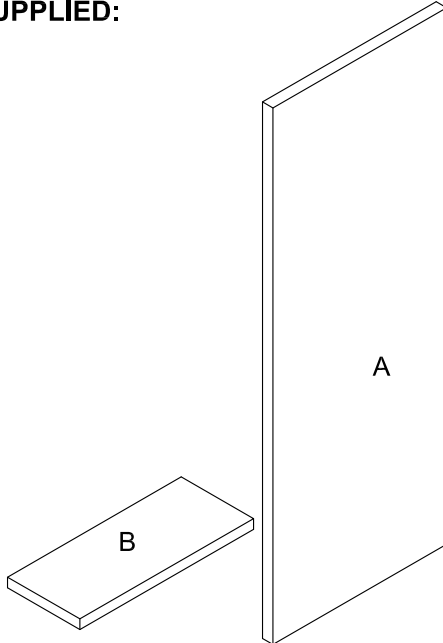
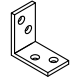

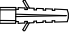

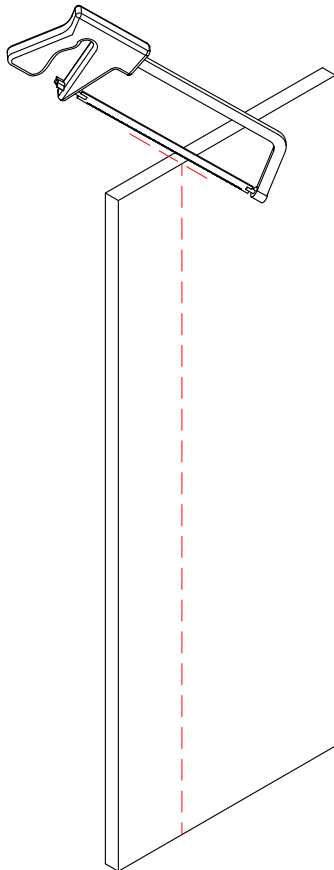
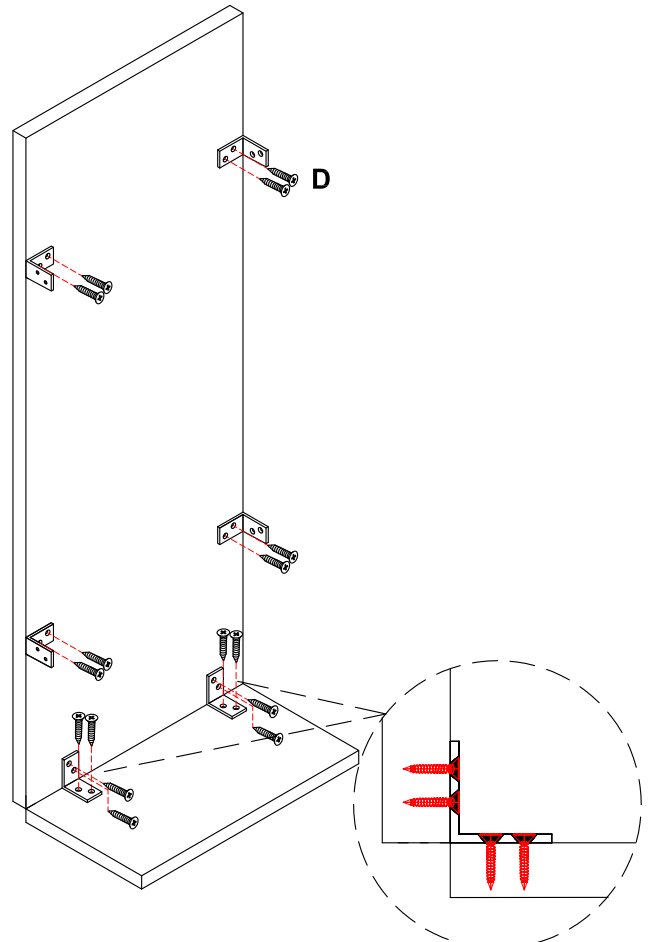


MyPlan Base Unit Filler Panel Instructions

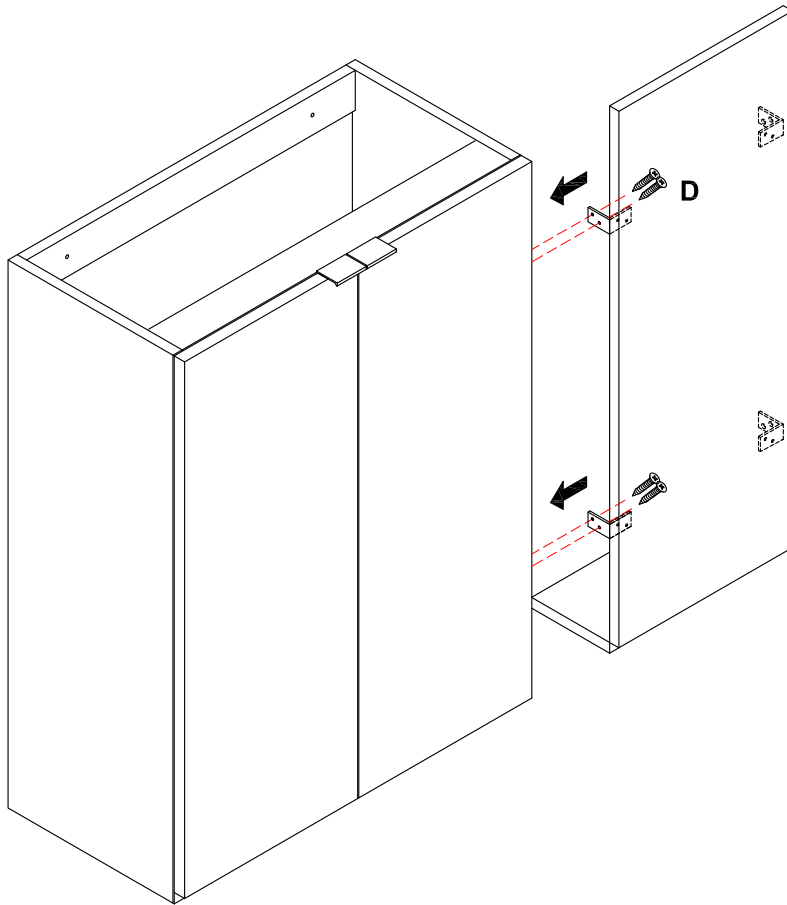
TOOLS REQUIRED:

PARTS SUPPLIED:


CODE	DIAGRAM	QTY
C		6
D	 ST4*14mm	20
E		4
F	 ST4*30mm	4

Step 1:

Step 2:


The wooden boards (A, B) could be cut to required length if necessary before installation.

Step 3:



Step 4:

