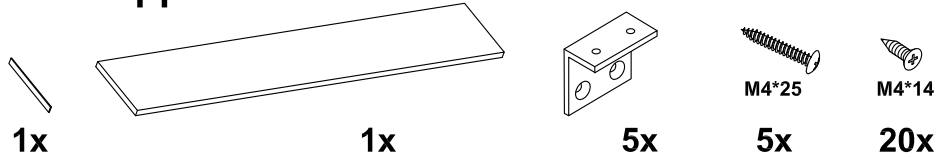


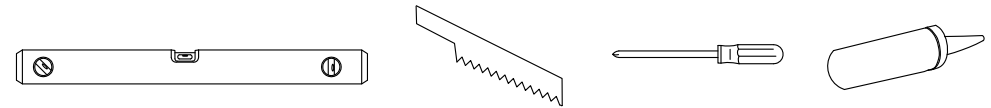
MyPlan 1800 Worktop Instructions

41405010930
41405011170
41405011410

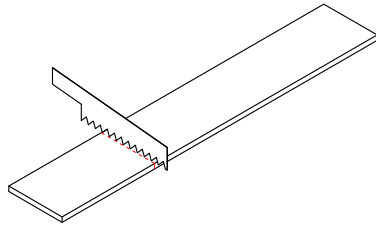
Parts Supplied



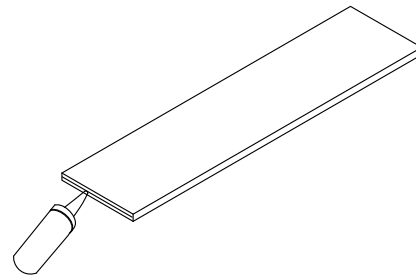
Tools Required



1

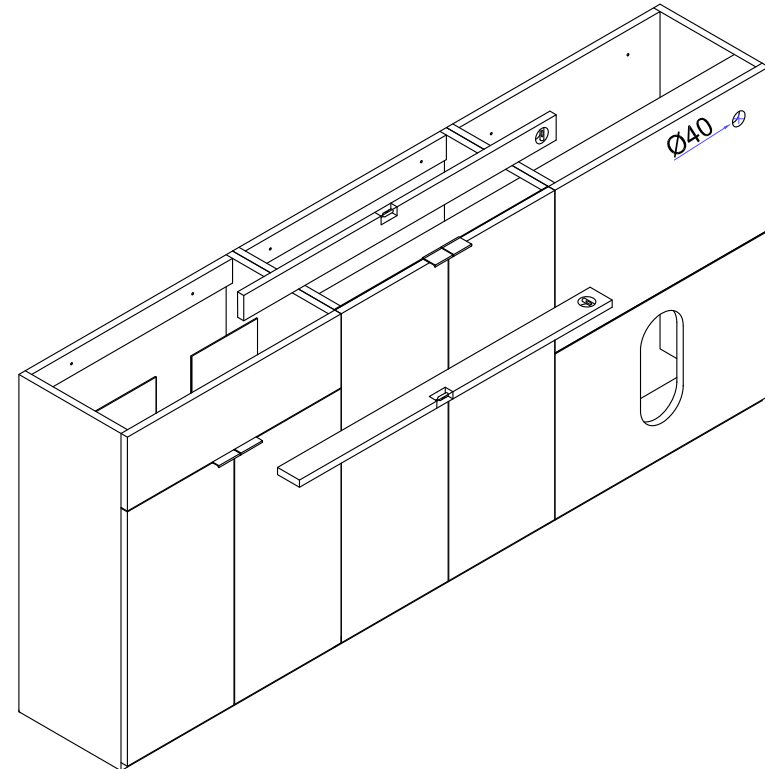


- The worktop can be cut to length to suit the run of furniture. The use of a fine tooth saw is recommended.

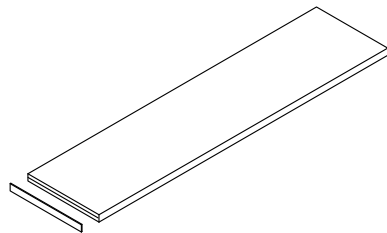


- A capping piece is supplied to be used to seal the cut edge. The capping piece should be fixed with a temperature and moisture resistant glue.

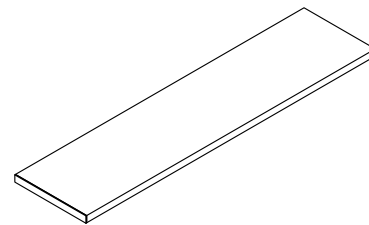
2



- Make sure that the cabinets are level, and flush.

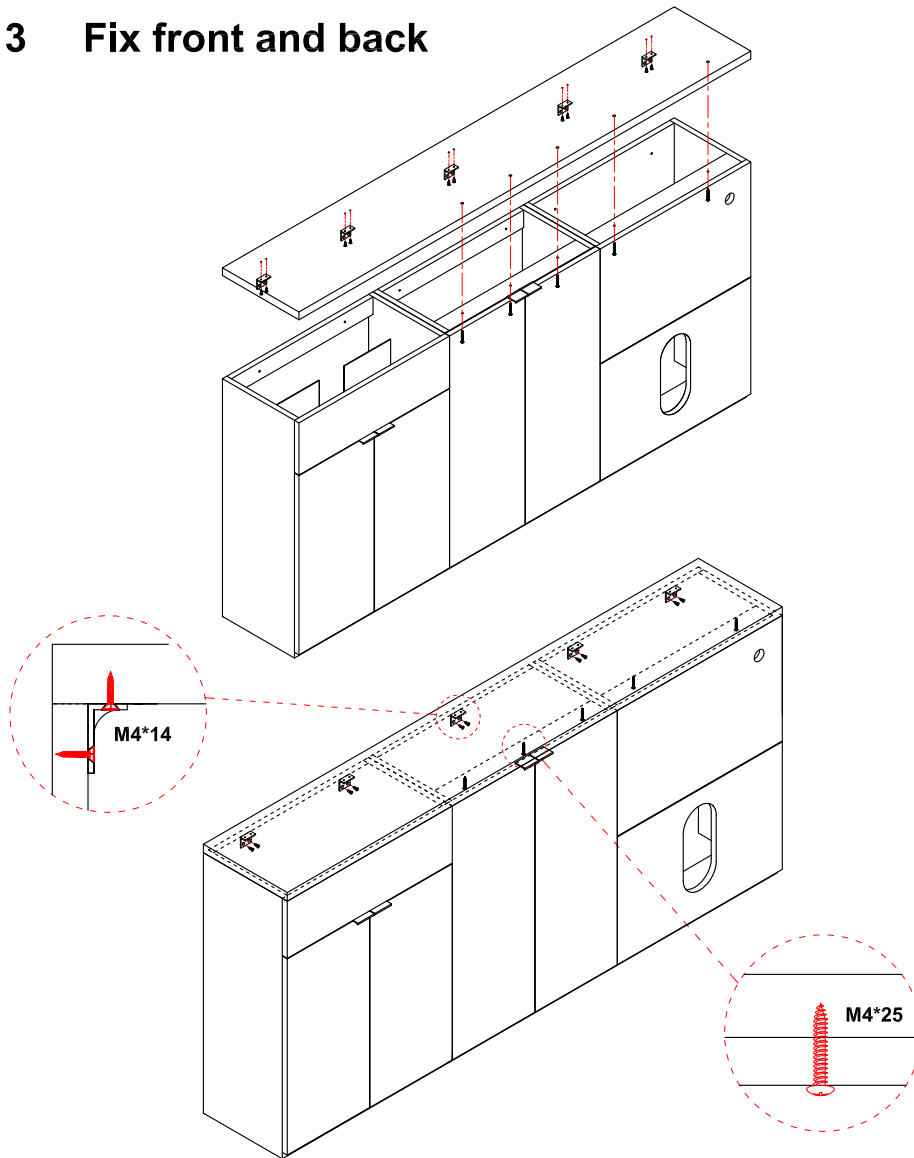


- Once the capping is fixed a soft damp cloth should be used to wipe any excess glue away from the edges.



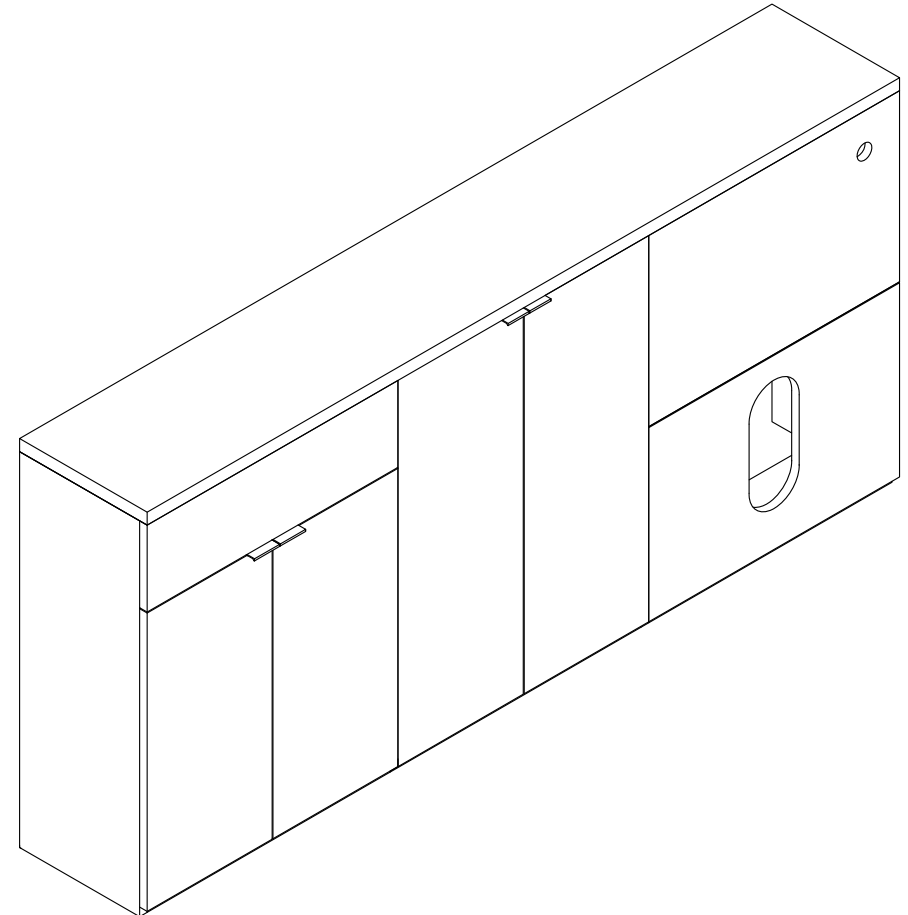
- We recommend that the cut end is placed against the side wall.

3 Fix front and back



- Depending on your furniture run use the brackets and fixing screws to secure the worktop as shown in the diagrams.
It is important that the worktop is firmly secured to the furniture carcass both front and back.

4



- The worktop should be cleaned using a soft damp cloth with a mild detergent. Do not use any abrasive agents.