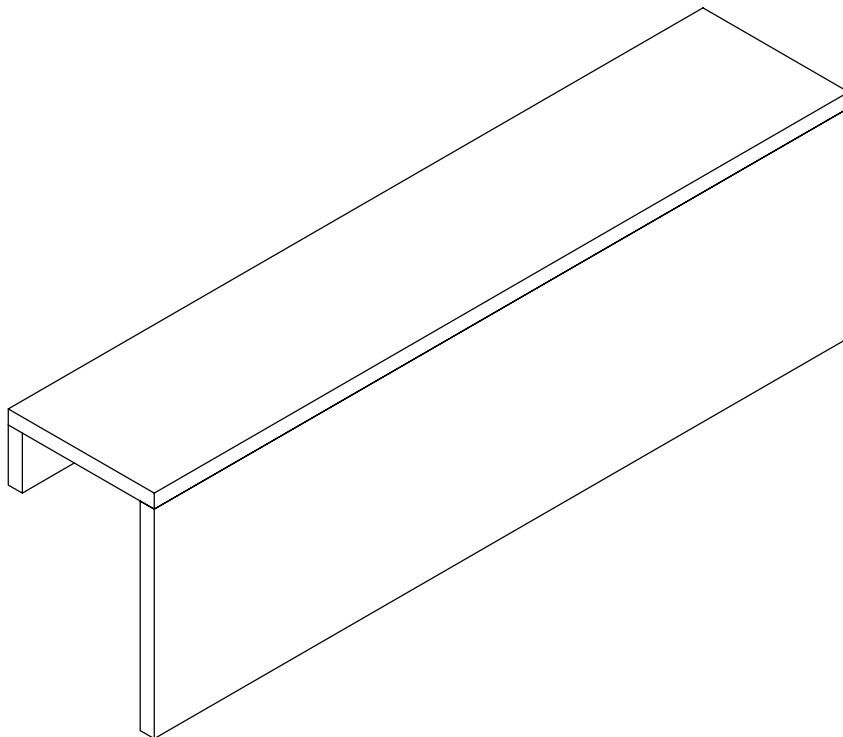


## **MyPlan 800 Pipe Cover Kit Assembly Instructions**

**41405010940**

**41405011180**

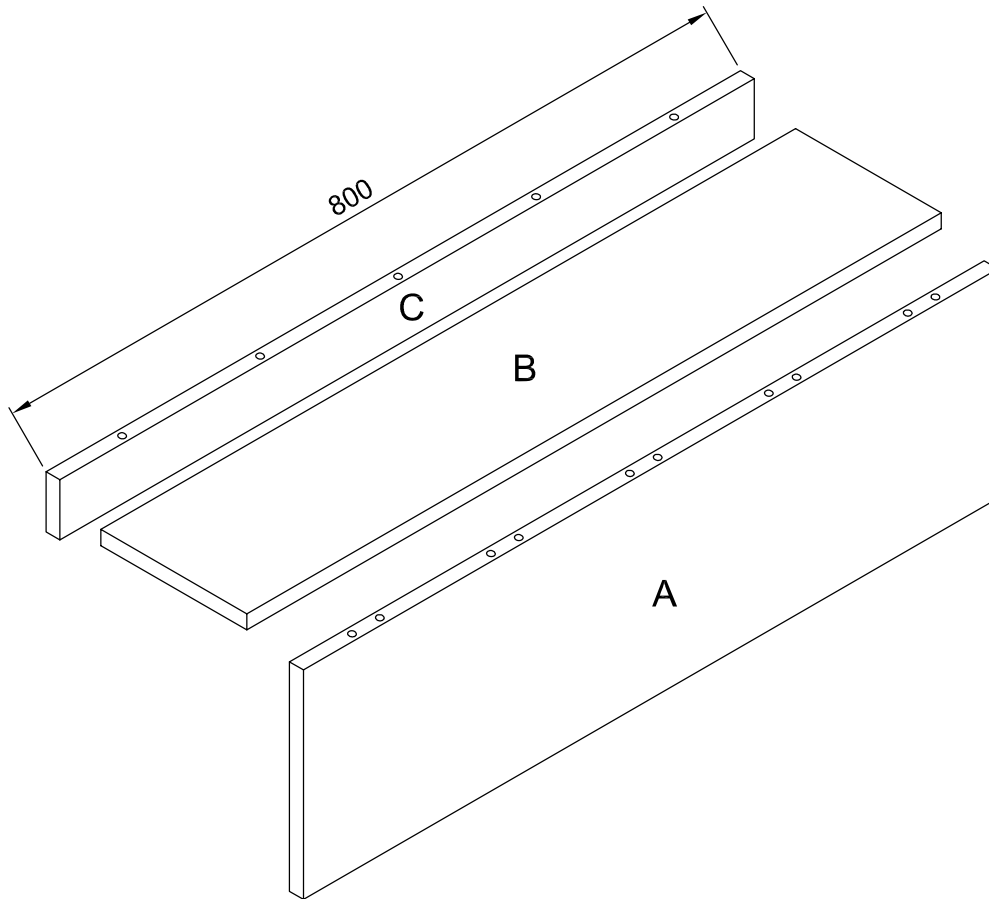
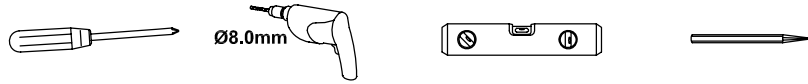
**41405011420**






**Width 800mm**


**Depth 168mm**

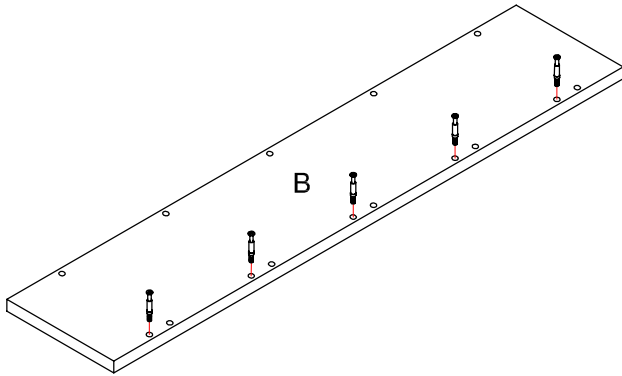
**Height 245mm**

**TOOLS REQUIRED:**




CODE	SIZE (mm)	QTY	CODE	DIAGRAM	QTY
A	800 x 229 x 16	1	D		5
B	800 x 168 x 16	1	E		10
C	800 x 60 x 16	1	F		5

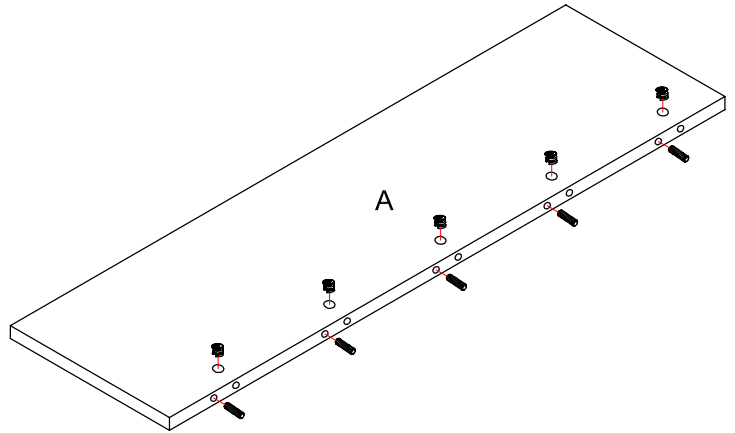
## Step 1:

CODE	SIZE/DIAGRAM	QTY
B	800 x 168 x 16	x1
D		x5

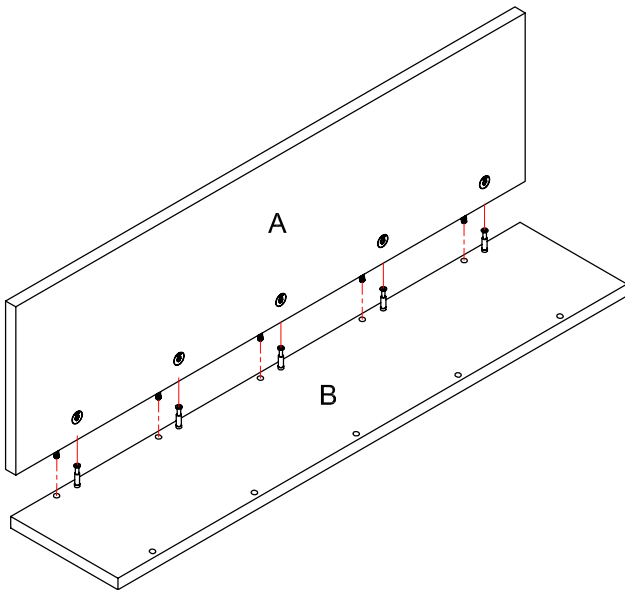


## Step 2:

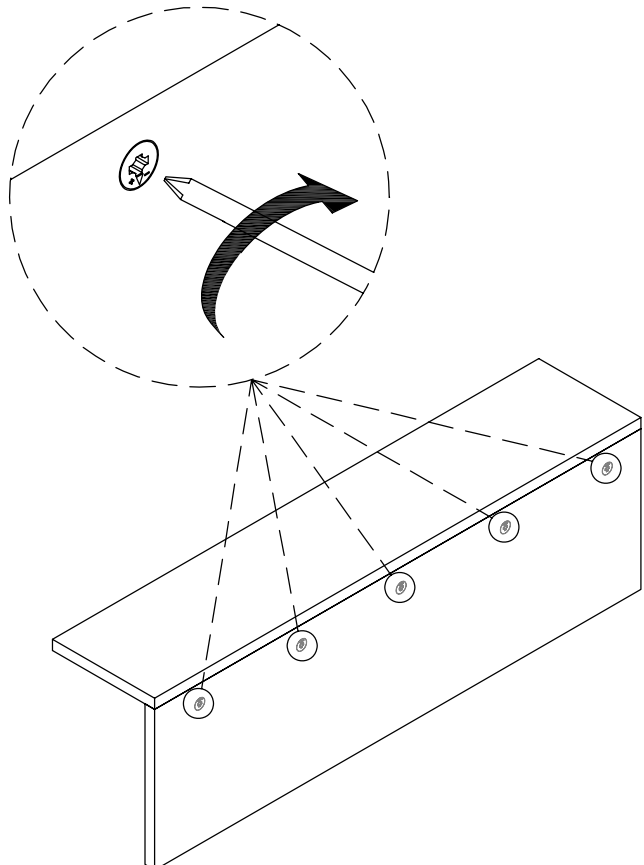
CODE	SIZE/DIAGRAM	QTY
A	800 x 229 x 16	x1
E		x5
F		x5



## Step 3:

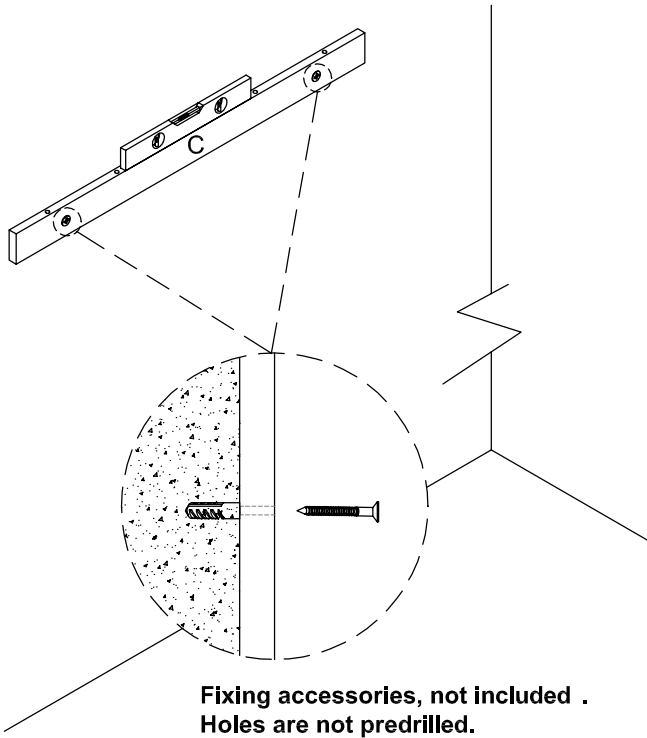


## Step 4:



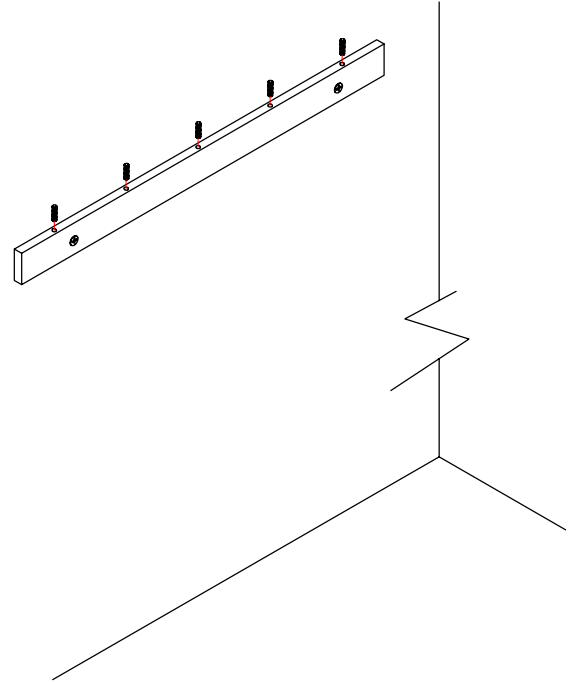
Step 5:

CODE	SIZE/DIAGRAM	QTY
C	800 x 60 x 16	x1

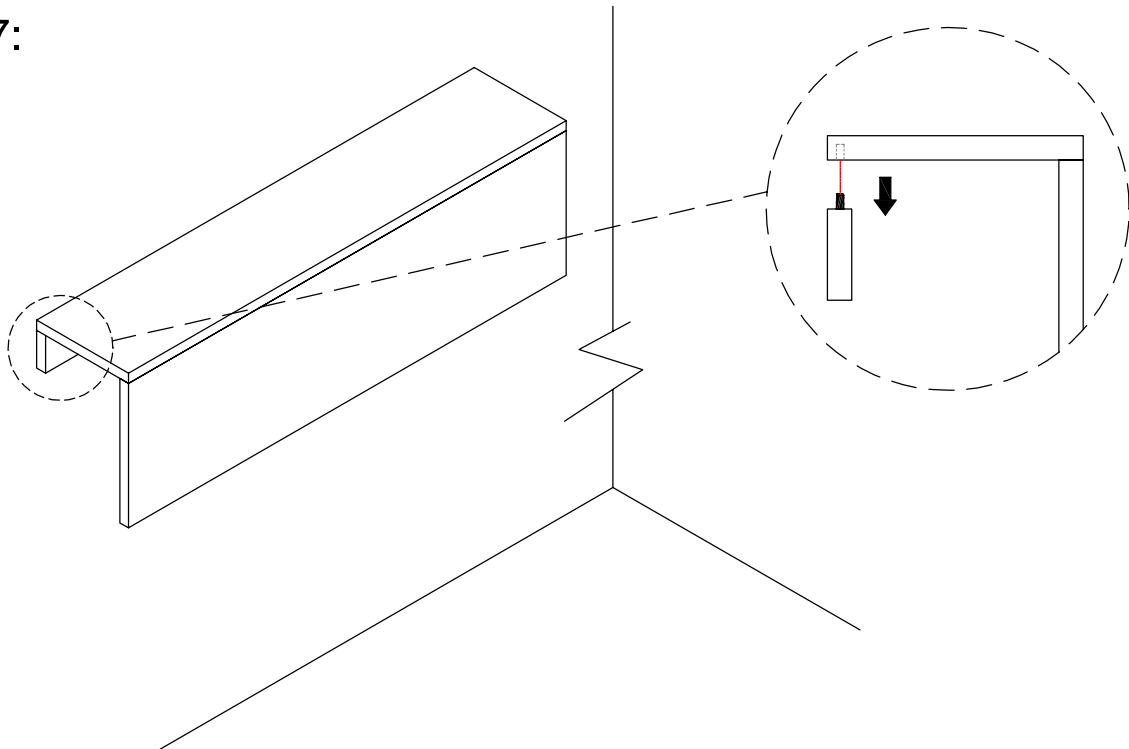


Step 6:

CODE	SIZE/DIAGRAM	QTY
E		x5



Step 7:



## Care and Maintenance

### Please leave with the householder

This furniture is made of wood, and has a water resistant finish. It should not be left wet. The quality of the finish is best maintained if it is wiped with a dry cloth after use. It should only be cleaned using a soft damp cloth followed by a dry cloth. Do not use bleach or any abrasive cleaner.