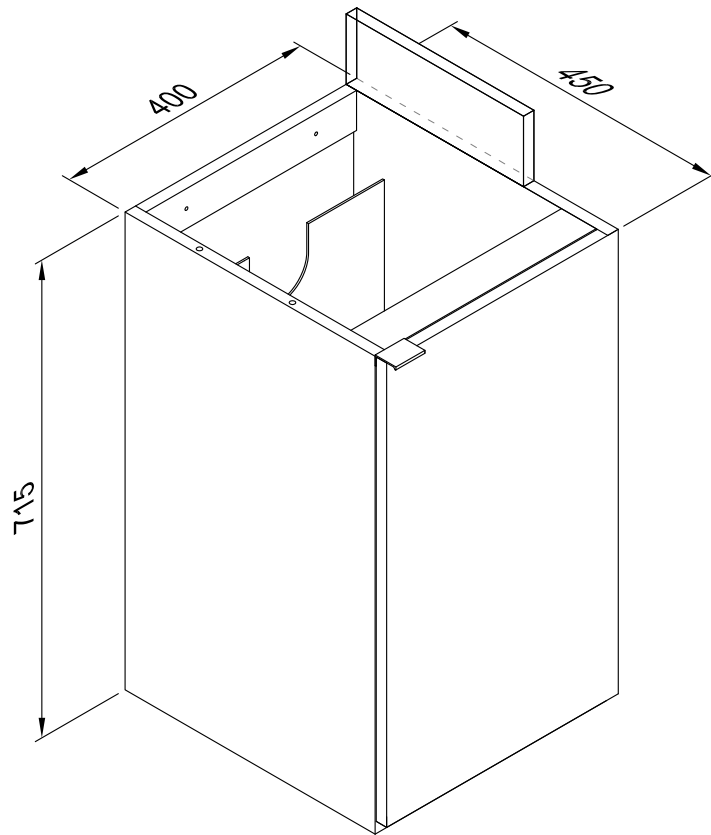


MyPlan 400 Basin Unit for Polymarble Basin Assembly Instructions

41405010770

41405011010

41405011250

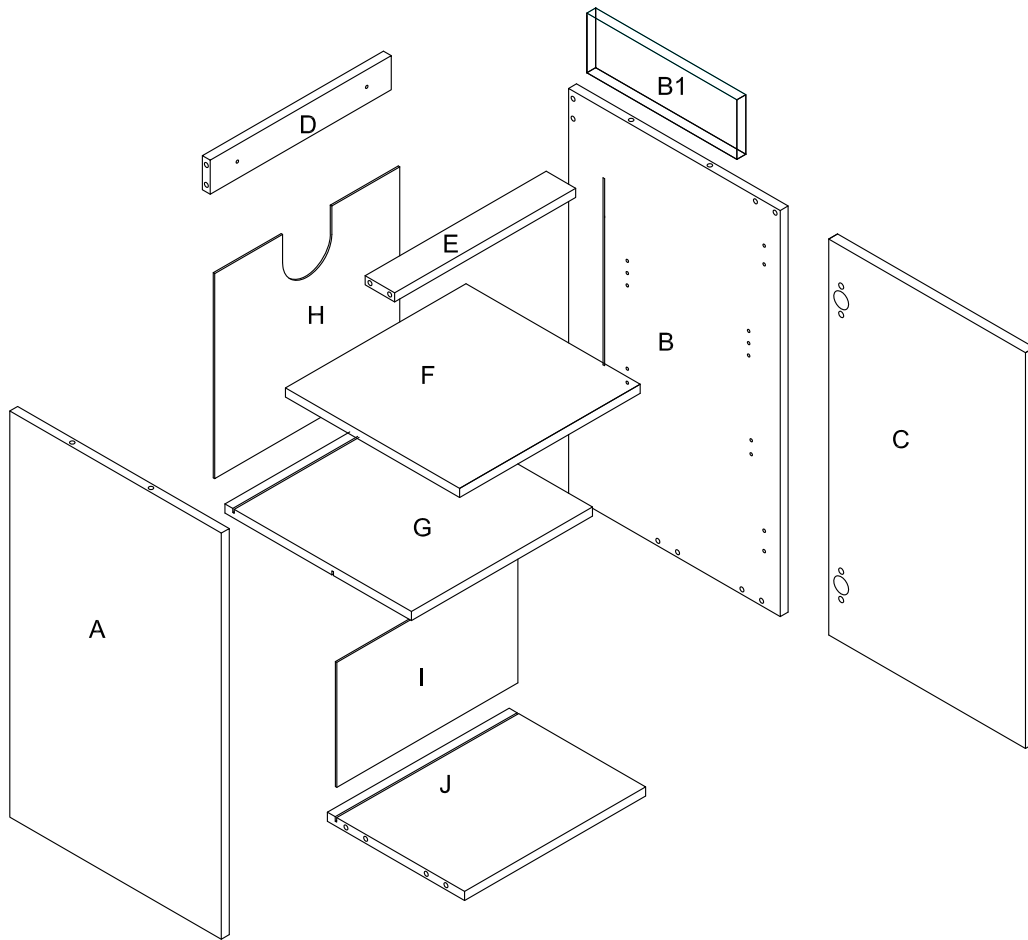



















Width 400mm

Depth 450mm

Height 715mm

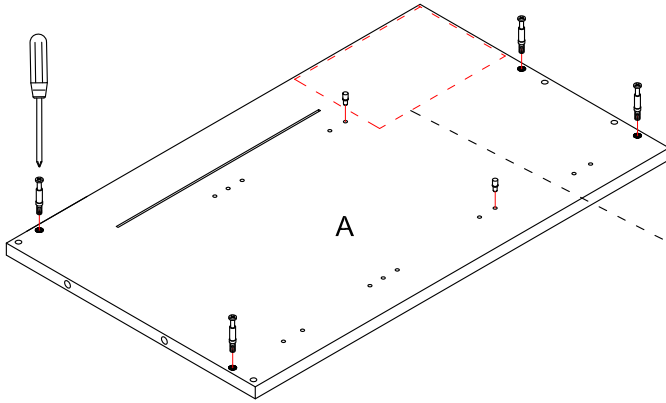
- **White units have protective film on the front and side panels, please remove this film after installation.**



TOOLS REQUIRED:


CODE	SIZE (mm)	QTY	CODE	DIAGRAM	QTY
A	715 x 430 x 16 (LH)	1	N		1
B	715 x 430 x 16 (RH)	1	O	 ST4 * 14mm	2
B1	305 x 105 x 16	1	P		4
C	697 x 396 x 18	1	Q		8
D	368 x 60 x 16	1	R		8
E	368 x 60 x 16	1	S		2
F	367 x 354 x 16	1	T		1
G	368 x 379 x 16	1	U		1
H	376 x 361 x 3	1	T1		1
I	368 x 220 x 3	1	U1		1
J	368 x 279 x 16	1	V		2
K		10	W	 ST5 * 50mm	2
L		8	X		4
M		8	Y		1

Step 1:

If the furniture conceals pipe runs along the wall, please cut out the corners as shown to create the plumbing void before assembly.



CODE	SIZE/DIAGRAM	QTY
A	715 x 430 x 16	x1
M		x4
Q		x2

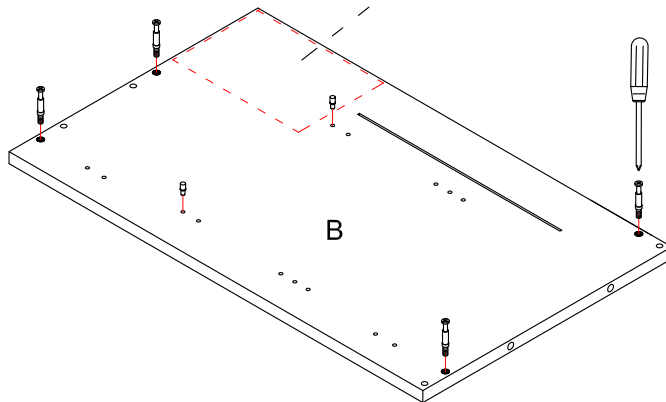
CUT HERE TO CREATE PLUMBING VOID



If the furniture conceals pipe runs along the wall, please cut out the corners as shown to create the plumbing void.

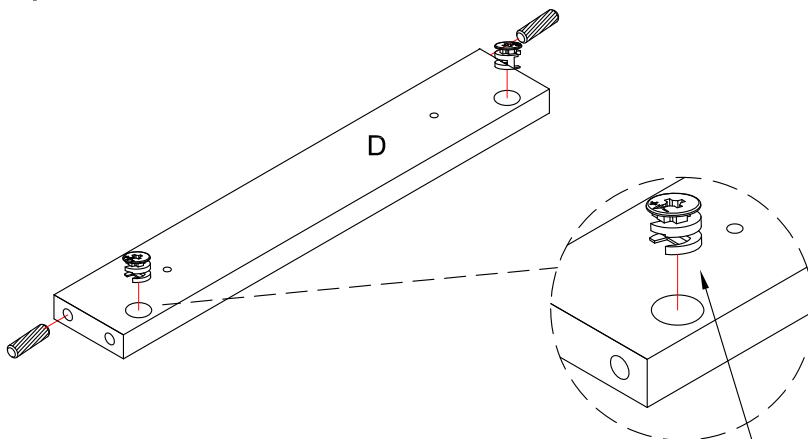
IMPORTANT: The pipe runs should be done prior to fitting the furniture in place. Once fitted there is no access to the pipes apart from at the basin waste and tap connections.



IMPORTANT: Do not cut the slides which will be visible from the outside. Only cut internal sides.

CUT HERE TO CREATE PLUMBING VOID

Step 2:




CODE	SIZE/DIAGRAM	QTY
B	715 x 430 x 16	x1
M		x4
Q		x2

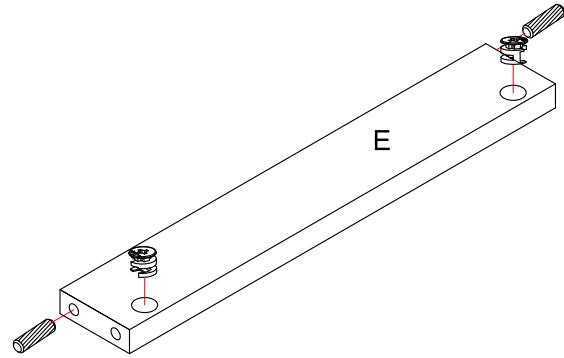
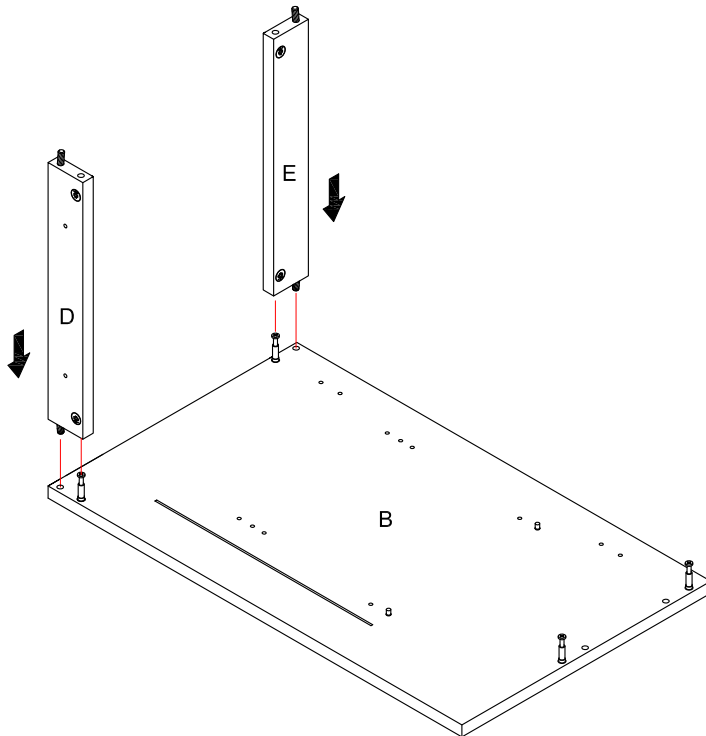
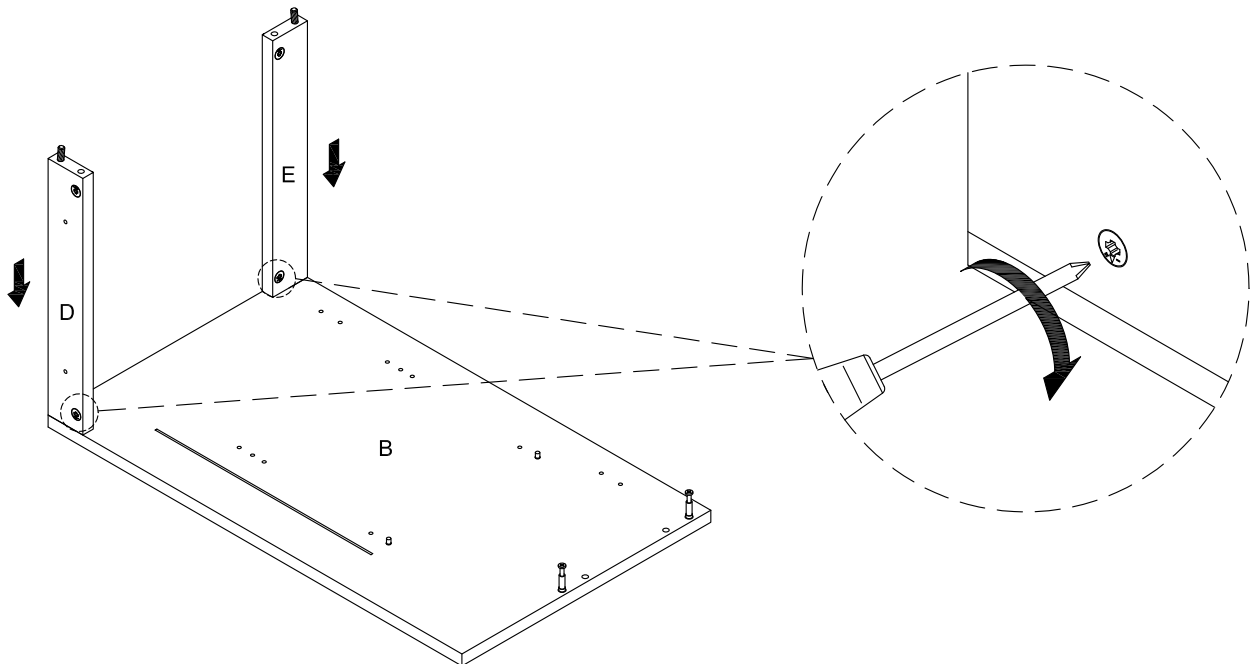
Step 3:


CODE	SIZE/DIAGRAM	QTY
D	368 x 60 x 16	x1
K		x2
L		x2

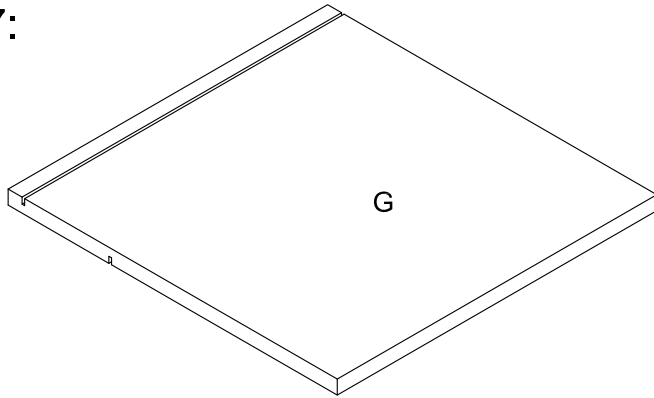
During assembly the arrow stamped on part (L) should point towards the screw hole.

Step 4:

CODE	SIZE/DIAGRAM	QTY
E	368 x 60 x 16	x1
K		x2
L		x2

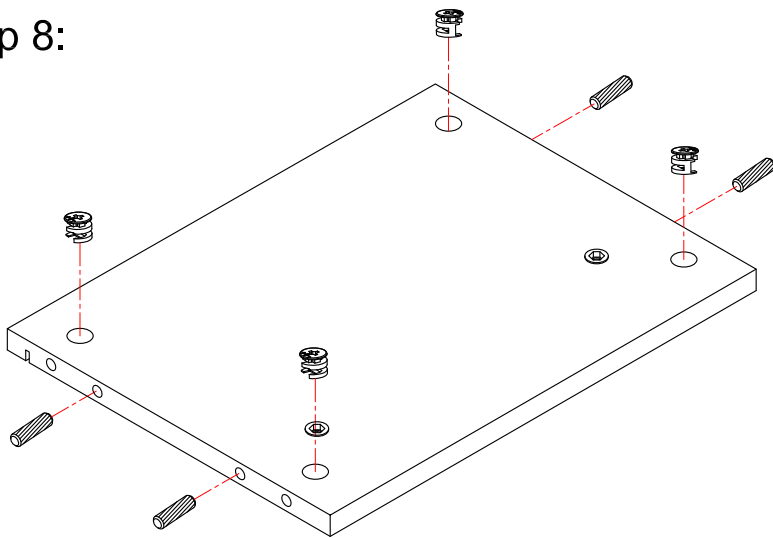

Step 5:

Step 6:




Step 7:



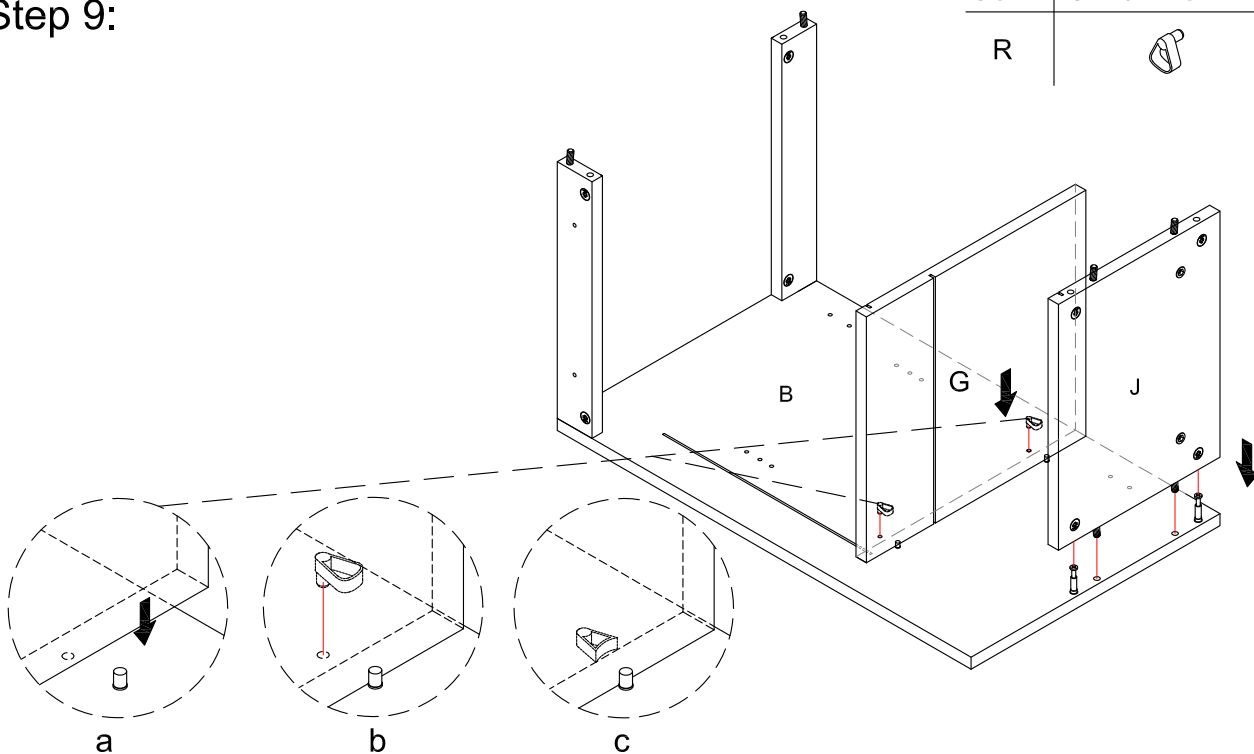
CODE	SIZE/DIAGRAM	QTY
G	368 x 379 x 16	x1

Step 8:



CODE	SIZE/DIAGRAM	QTY
J	368 x 279 x 16	x1
K		x4
L		x4

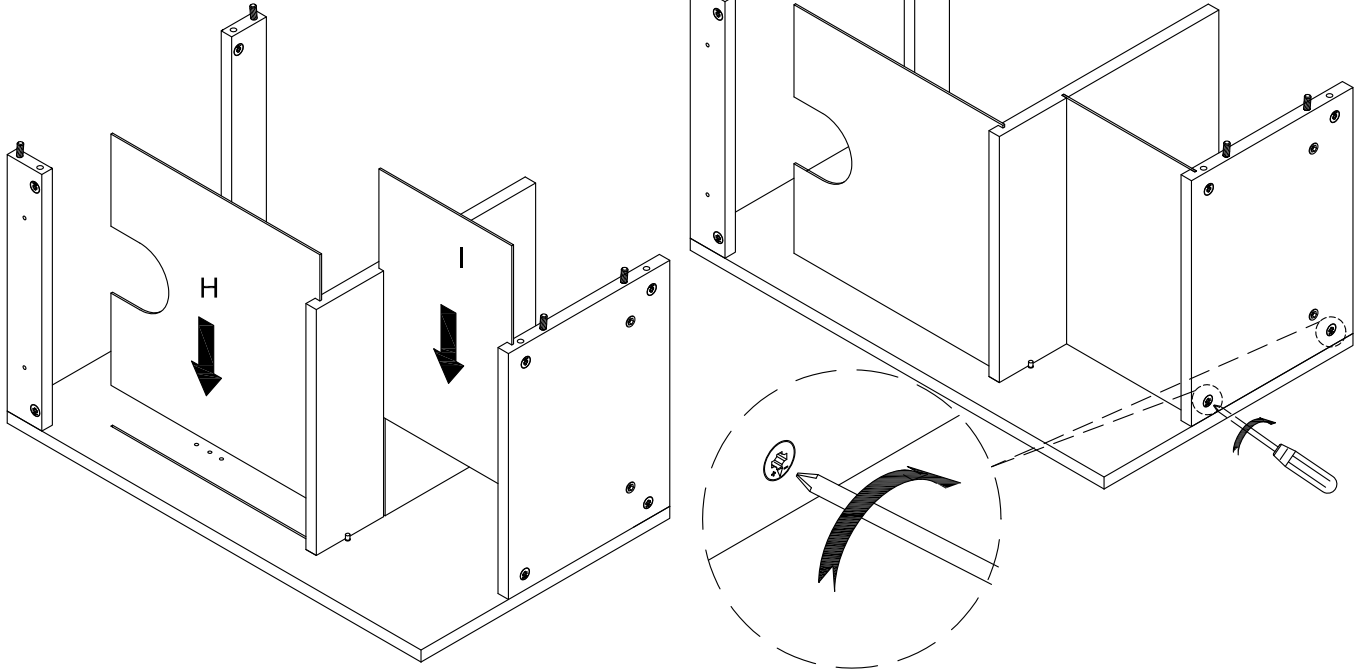
Step 9:



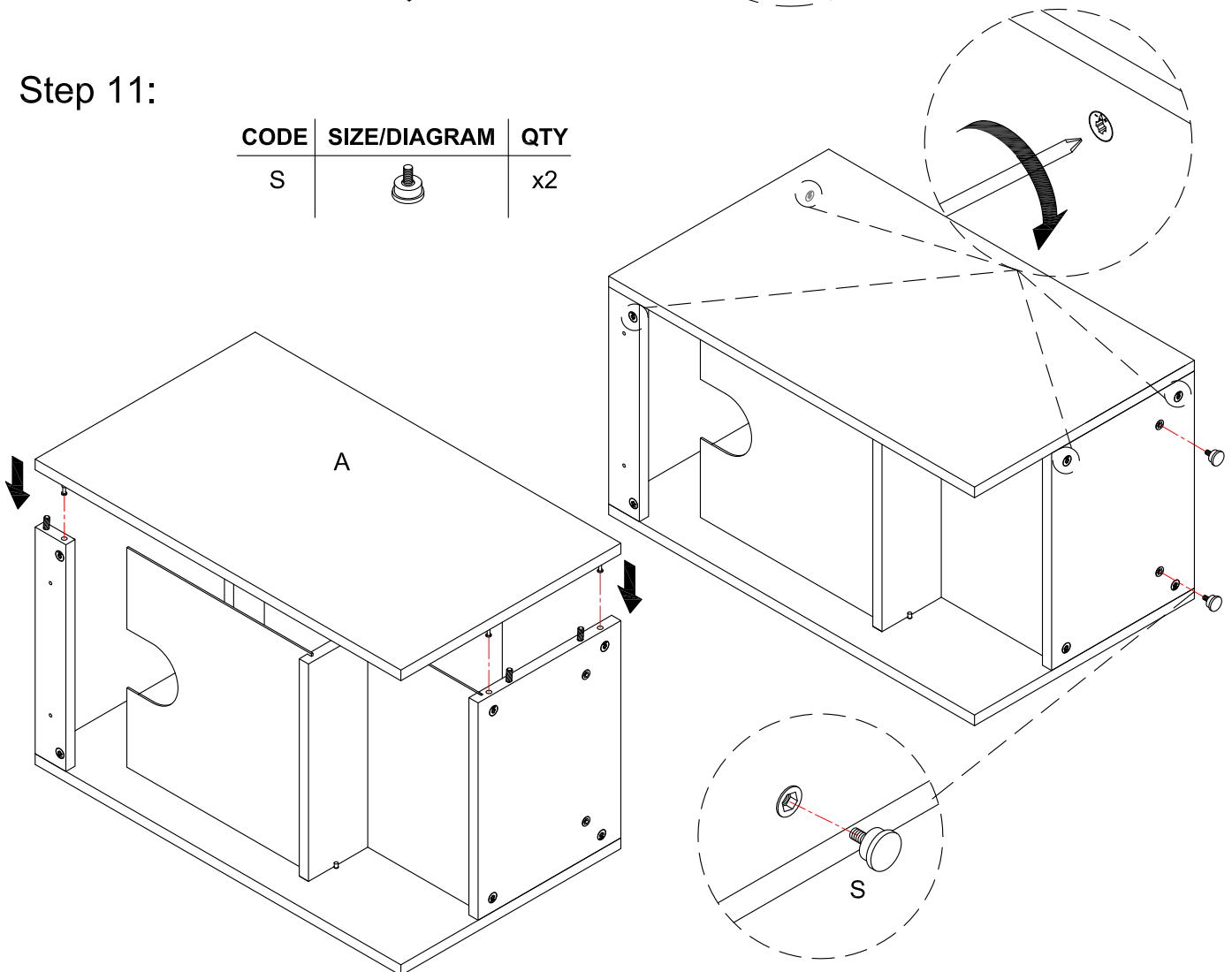
CODE	SIZE/DIAGRAM	QTY
R		x2

Step 10:

CODE	SIZE/DIAGRAM	QTY
H	376 x 361 x 3	x1
I	368 x 220 x 3	x1

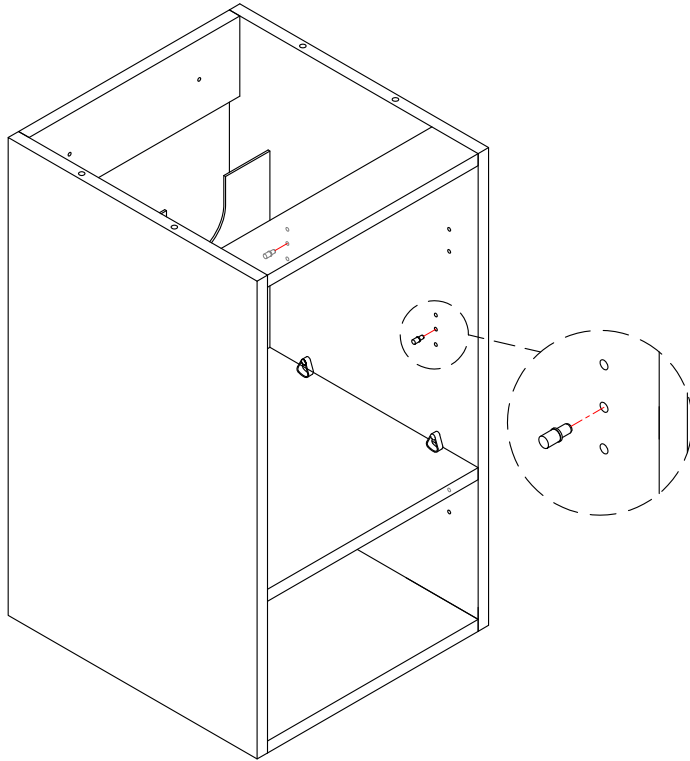

Step 11:


CODE	SIZE/DIAGRAM	QTY
S		x2

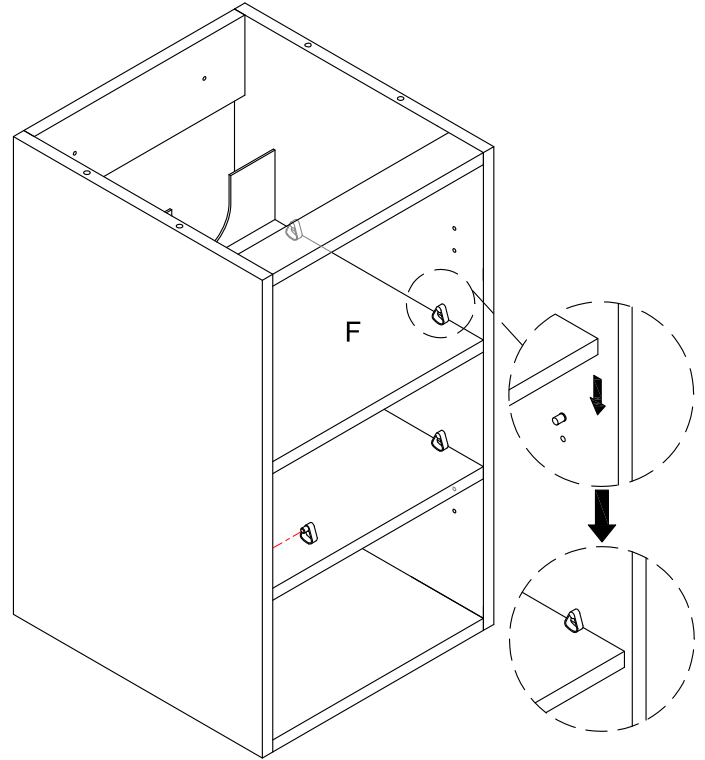




Step 12:

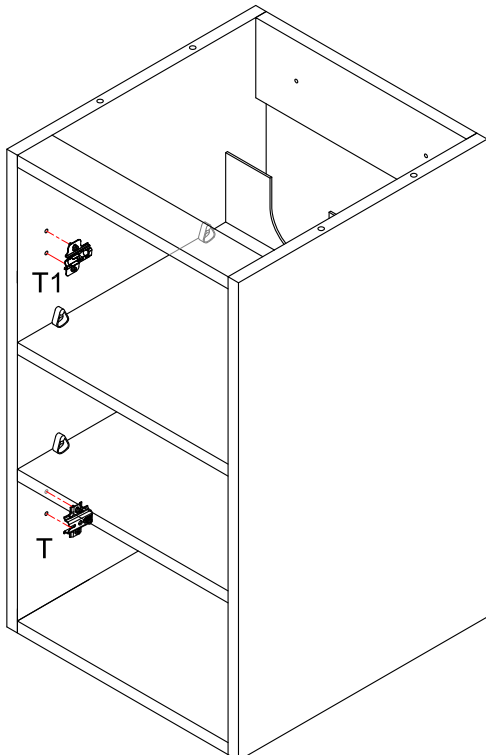
CODE	SIZE/DIAGRAM	QTY
Q		x4





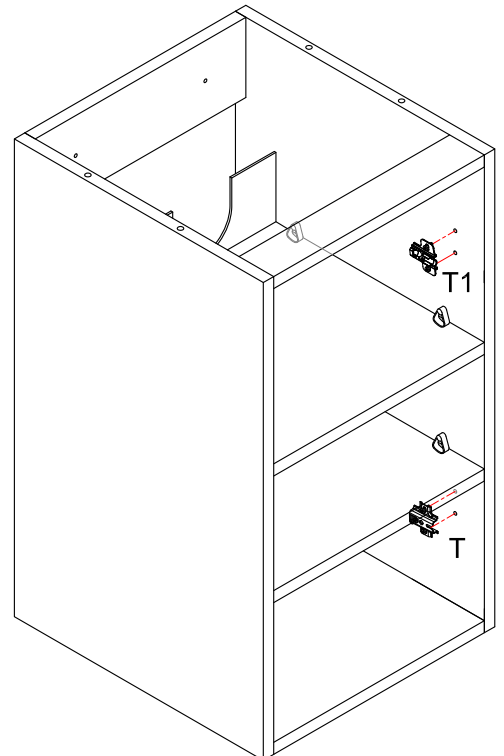
CODE	SIZE/DIAGRAM	QTY
F	367 x 354 x 16	x1
R		x6


 Step 13:
(LH)

CODE	SIZE/DIAGRAM	QTY
T		x1
T 1		x1


 Step 13:
(RH)

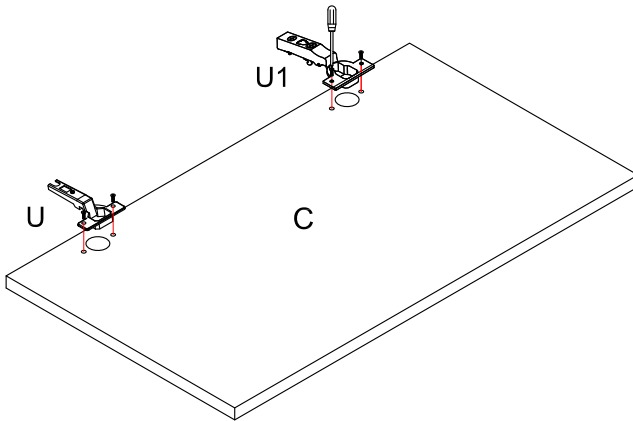
CODE	SIZE/DIAGRAM	QTY
T		x1
T 1		x1






The part (T, T1) could be fixed on the left side board (A) or the right side board (B), so that the door could be open at left (LH) or right (RH). Determine the door opening side, then the part (T, T1) could be fixed on the corresponding side board.




Step 14:

U1 is the soft close action hinge, and Hinge U is the sprung hinge.



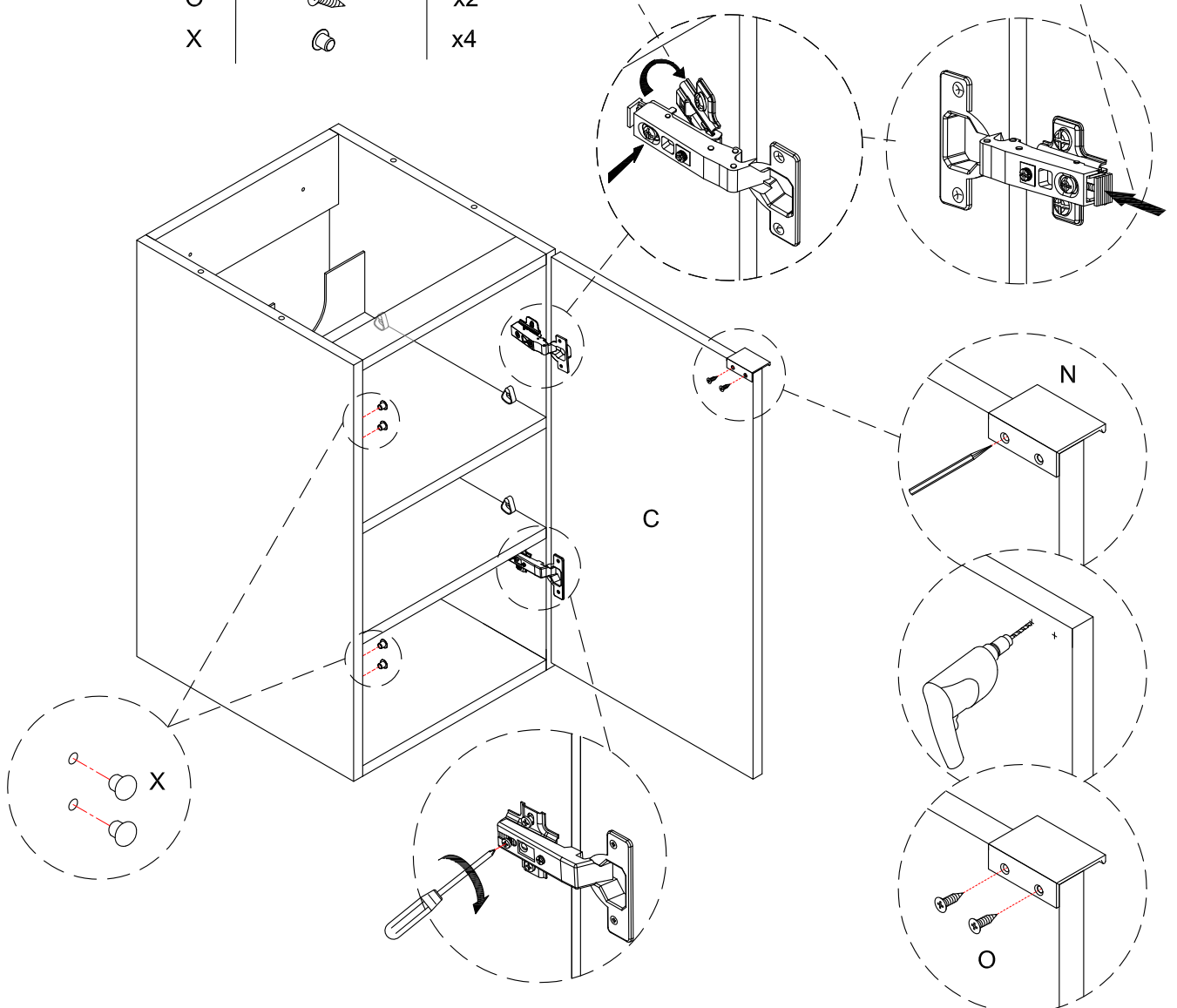
CODE	SIZE/DIAGRAM	QTY
C	697 x 396 x 18	x1
U		x1
U1		x1
P		x4

Step 15:

CODE	SIZE/DIAGRAM	QTY
N		x1
O		x2
X		x4

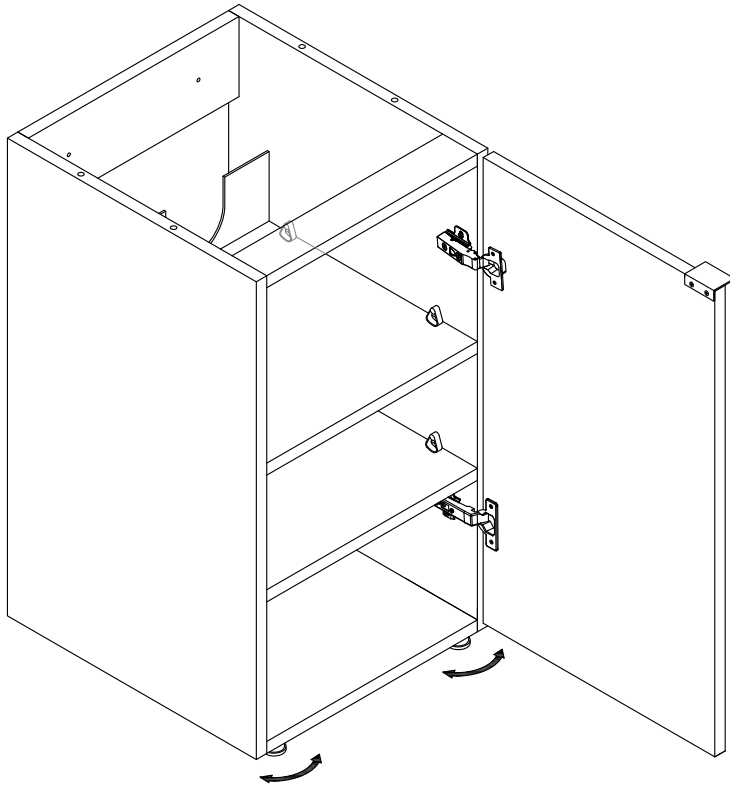
Press the hinge plate towards the base and click it onto the base.

Press the end of the hinge plate to release it from the base.



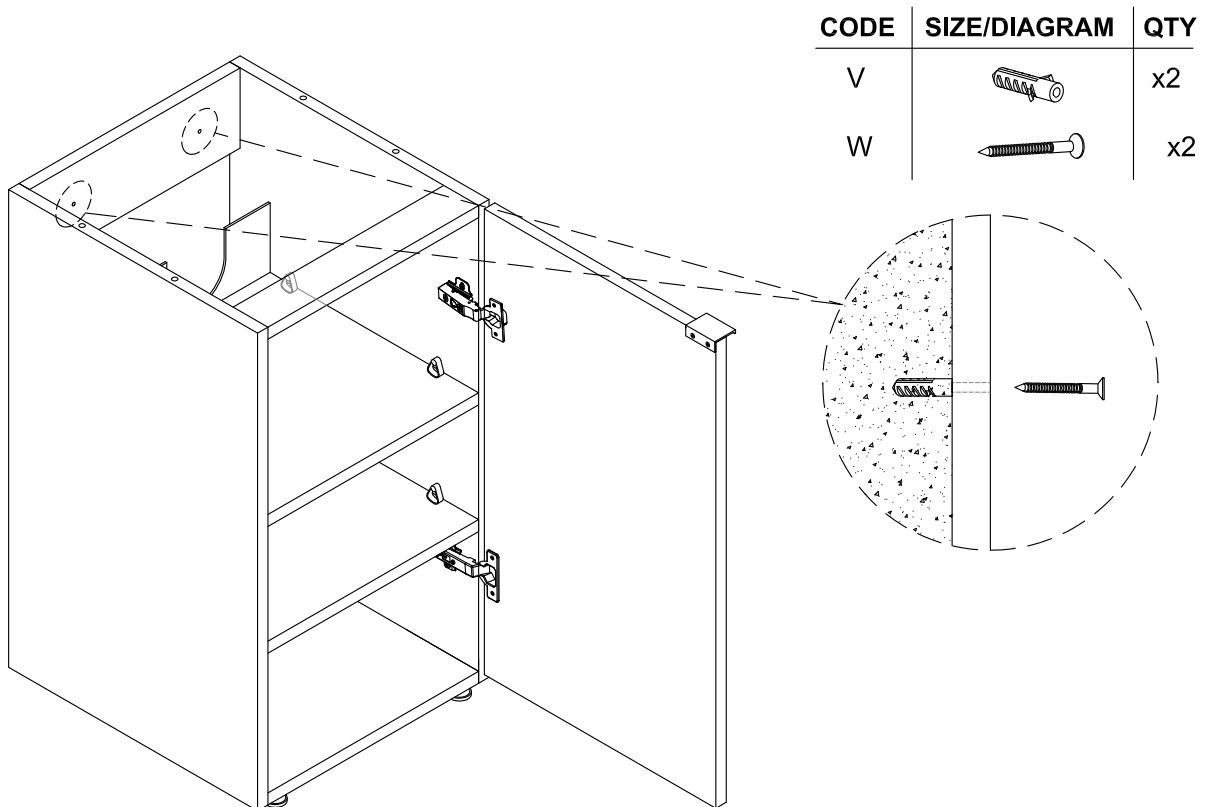
Step 16:

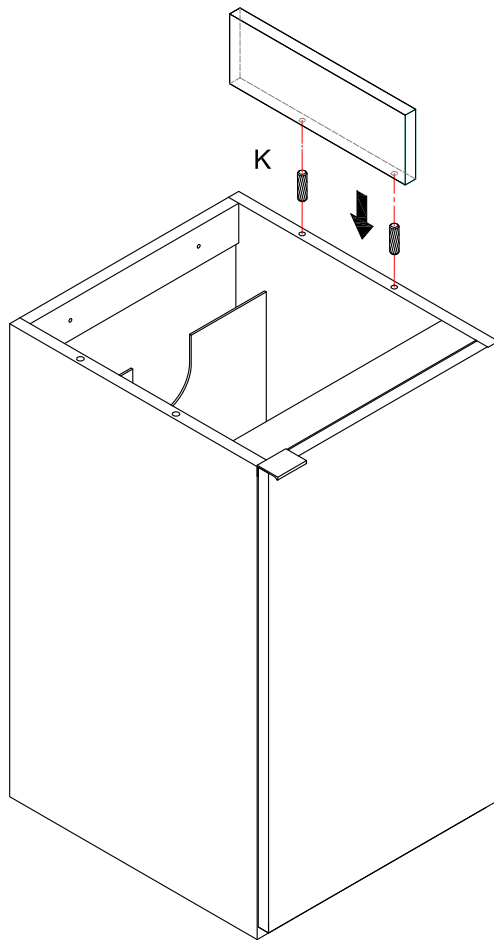
Place the unit in position against the wall. Raise or lower height adjusters (S) to level and achieve desired height at the front.



Step 17:

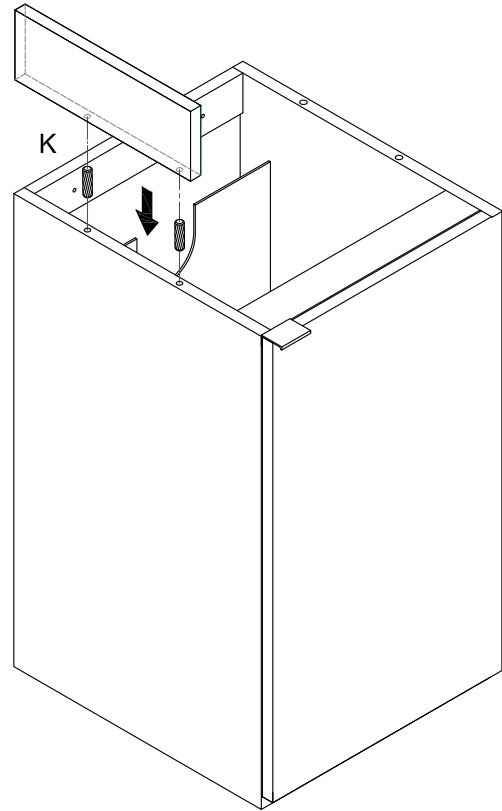
Ensure that the top is horizontal before marking the wall for fixing.

The wall fixings supplied may not be suitable for your installation. You may need to source alternatives depending on the material and strength of the wall you are fixing to.

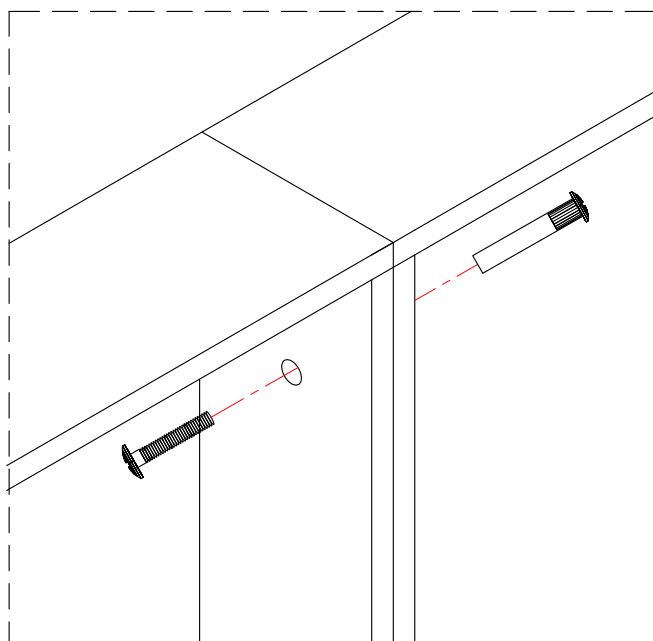


Step 18:


CODE	SIZE/DIAGRAM	QTY
B1	305 x 105 x 16	x1
K		x2



Depending on the basin direction, the B1 board could be sit on the Left/Right hand of the cabinet.

Step 19:


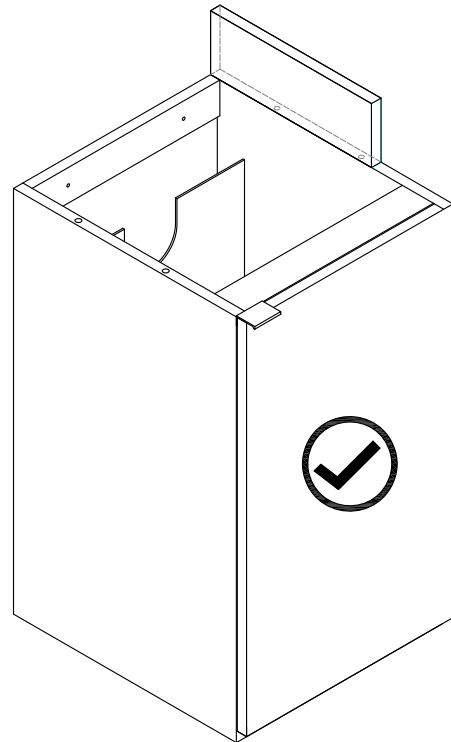
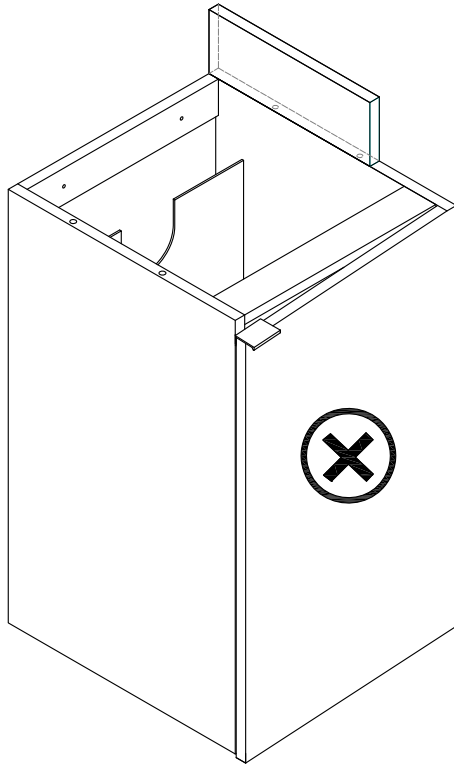
CODE	SIZE/DIAGRAM	QTY
Y		x1

Once the units have been installed and are level and before fully tightening the wall fixings, they should be joined together using the joining bolts (Y) to give extra strength.

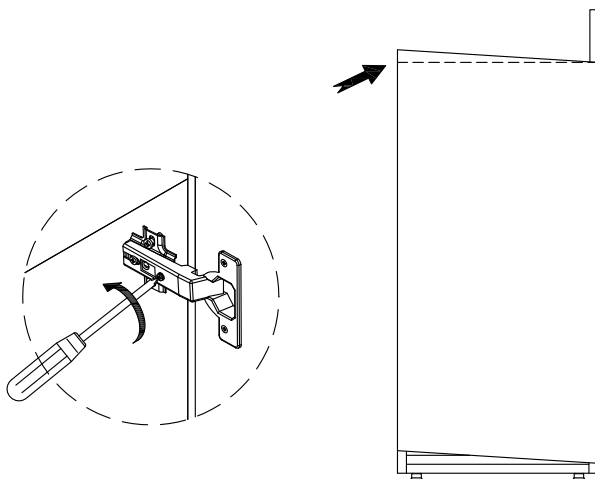
Note: Before drilling the units ensure that you avoid any runners, hinges, shelves or pipe work.

Carefully drill small pilot holes ($\text{Ø}3\text{mm}$) through the sides of both units. Drill full size holes ($\text{Ø}6\text{mm}$), part way through one side then finish off by drilling through from the other side; this will avoid splintering the wood veneer. Once joined together, fully tighten the wall fixings.

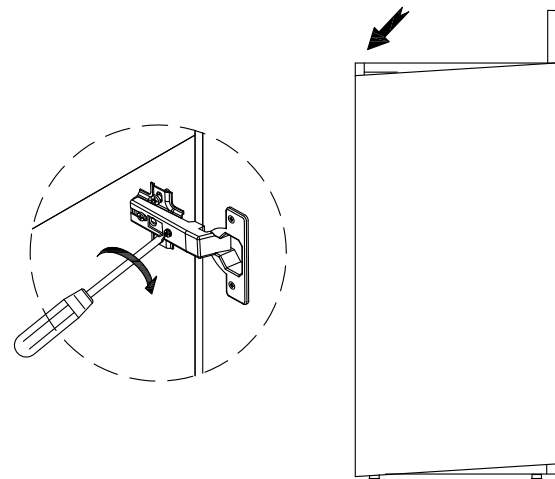
Only if adjustment is required !



Anti-Clockwise adjustment lifts the far top corner.



Clockwise adjustment drops the far top corner.



Care and Maintenance

Please leave with the householder

This furniture is made of wood, and has a water resistant finish. It should not be left wet. The quality of the finish is best maintained if it is wiped with a dry cloth after use. It should only be cleaned using a soft damp cloth followed by a dry cloth. Do not use bleach or any abrasive cleaner.