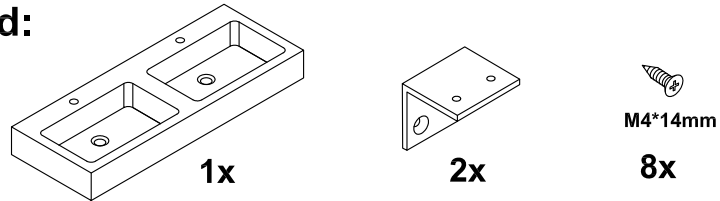


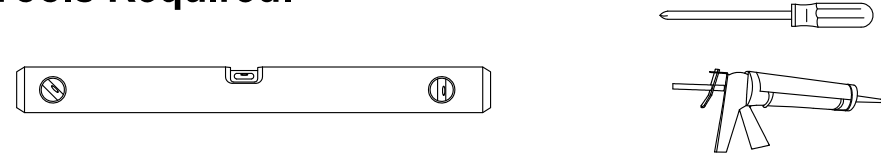
# MyPlan™ 1200 Double Basin 1200W x 450D with Overflow WHT Instructions

41405011480

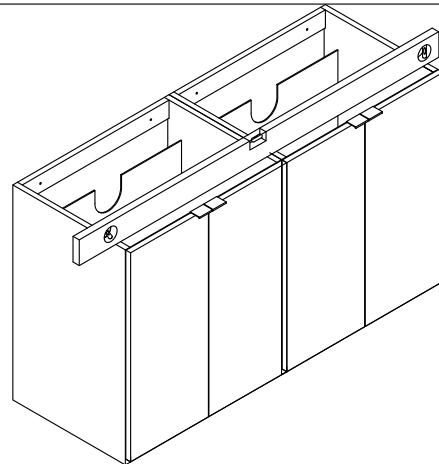
## Parts Supplied:



## Tools Required:

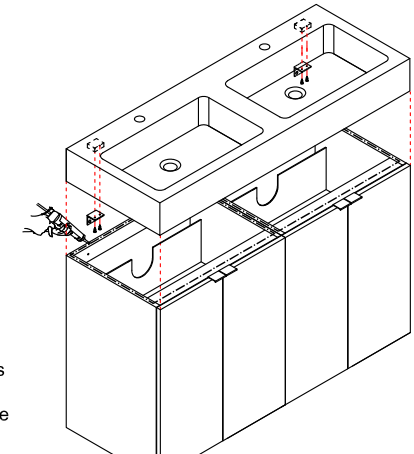


1



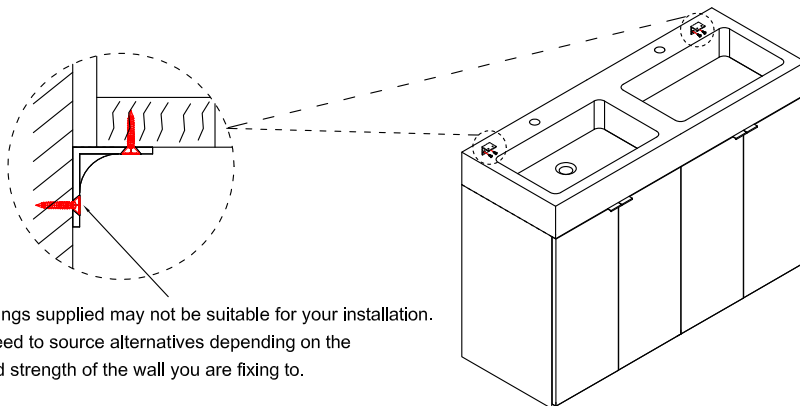
- Make sure that the cabinet is level, and flush.

2



- Position the basin on the cabinet and mark on the wooden blocks and wall the locations for fixing the angle brackets. Place silicon seal to top surfaces where basin sits, and back edge of basin to wall.

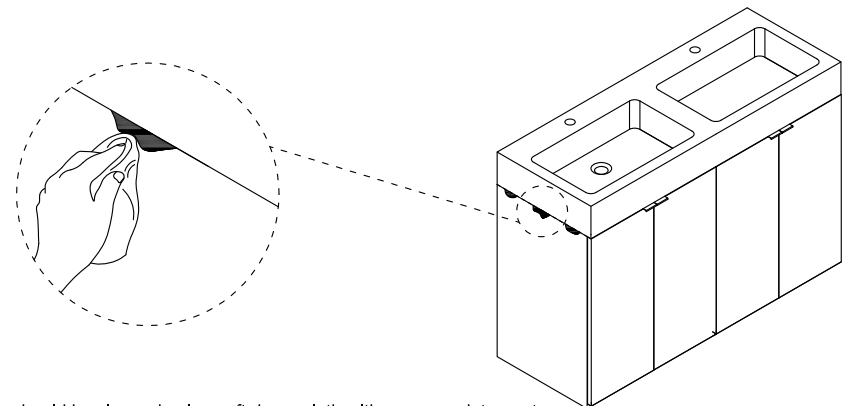
3



The wall fixings supplied may not be suitable for your installation. You may need to source alternatives depending on the material and strength of the wall you are fixing to.

- Use the brackets and fixing screws to secure the Basin as shown in the diagrams. Please make sure use the bracket and fixing screw to secure the basin with wall as shown in diagrams.

4



- The Basin should be cleaned using soft damp cloth with common detergent. Do not use any abrasive agents.