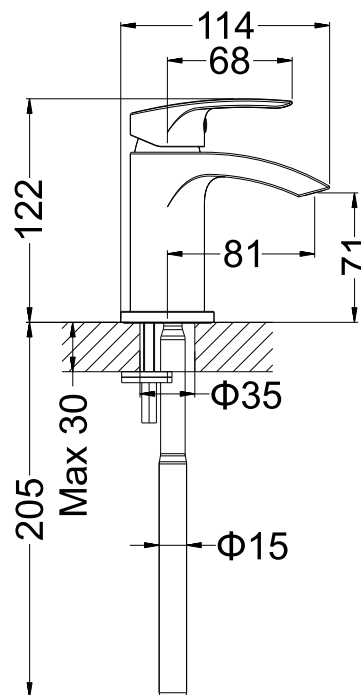
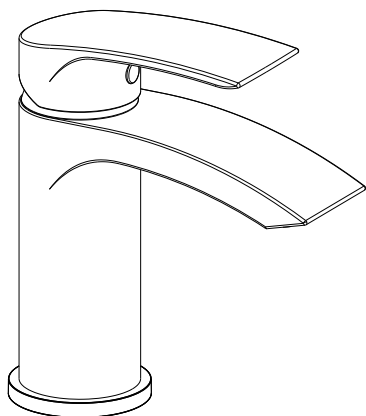


Specification Sheet

ADORA

Mini Basin Monobloc Without Pop-up Waste



- The copper tails:
(Length:257mm)

Product Specification

Product Code:	MBFW114N
Finish:	Chrome plated
Construction:	Bodies of tap are solid brass castings and the handles are zinc cast
Valve Type:	28mm single lever ceramic disc cartridge
Supply:	Suitable for high pressure systems
Inlet Connection:	Copper tails
Water Pressure:	Range from a minimum pressure of 0.2bar to a maximum pressure of 5bar
Net Weight:	0.9Kg

Technical Advice: For further information, please email technical@adora-bathrooms.co.uk or visit www.adora-bathrooms.co.uk

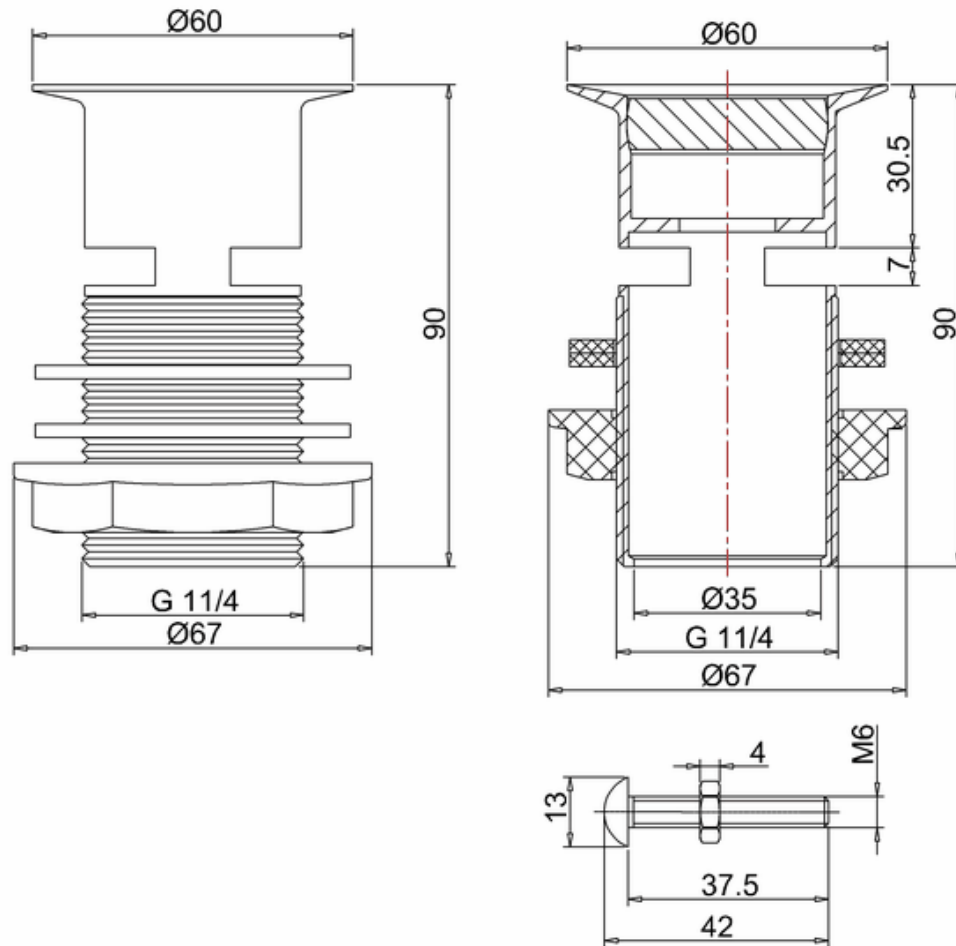
Guarantee: The product carries a 5 year guarantee, **excluding** the ceramic (head/cartridge) which is covered by a 12 month guarantee

Flow Rates(litres per minute)

System pressure	0.2bar	0.5bar	1bar	2bar	3bar
MBFW114N	3.5	4.8	7.4	10.9	13.3

We reserve the right to make technical modifications without prior notice

20003000018 - Flip Top Basin Waste (slotted)



Note:

For each part of the accessory, the dimension tolerance should be followed the list below.

0 - 100	101 - 200	201 - 400	≥ 401
± 1	± 2	± 3	± 5

For the finished assembly, the dimension tolerance should be followed the list below.

0 - 300	≥ 301
± 2	± 5