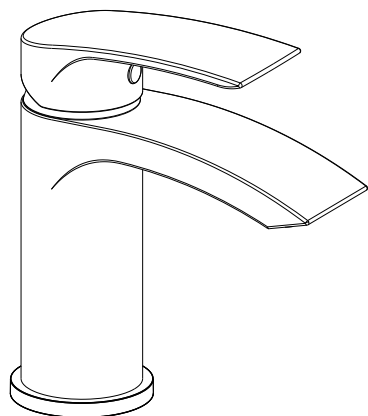


Specification Sheet

Mini Basin Monobloc



Product Specification

Finish:	Chrome plated
Construction:	Bodies of tap are solid brass castings and the handles are zinc cast
Valve Type:	28mm single lever ceramic disc cartridge
Supply:	Suitable for high pressure systems
Inlet Connection:	Copper tails
Water Pressure:	Range from a minimum pressure of 0.2bar to a maximum pressure of 5bar
Net Weight:	0.9Kg
Guarantee:	The product carries a 5 year guarantee, excluding the ceramic (head/cartridge) which is covered by a 12 month guarantee

Flow Rates(litres per minute)

System pressure	0.2bar	0.5bar	1bar	2bar	3bar
MBFW114N	3.5	4.8	7.4	10.9	13.3

We reserve the right to make technical modifications without prior notice