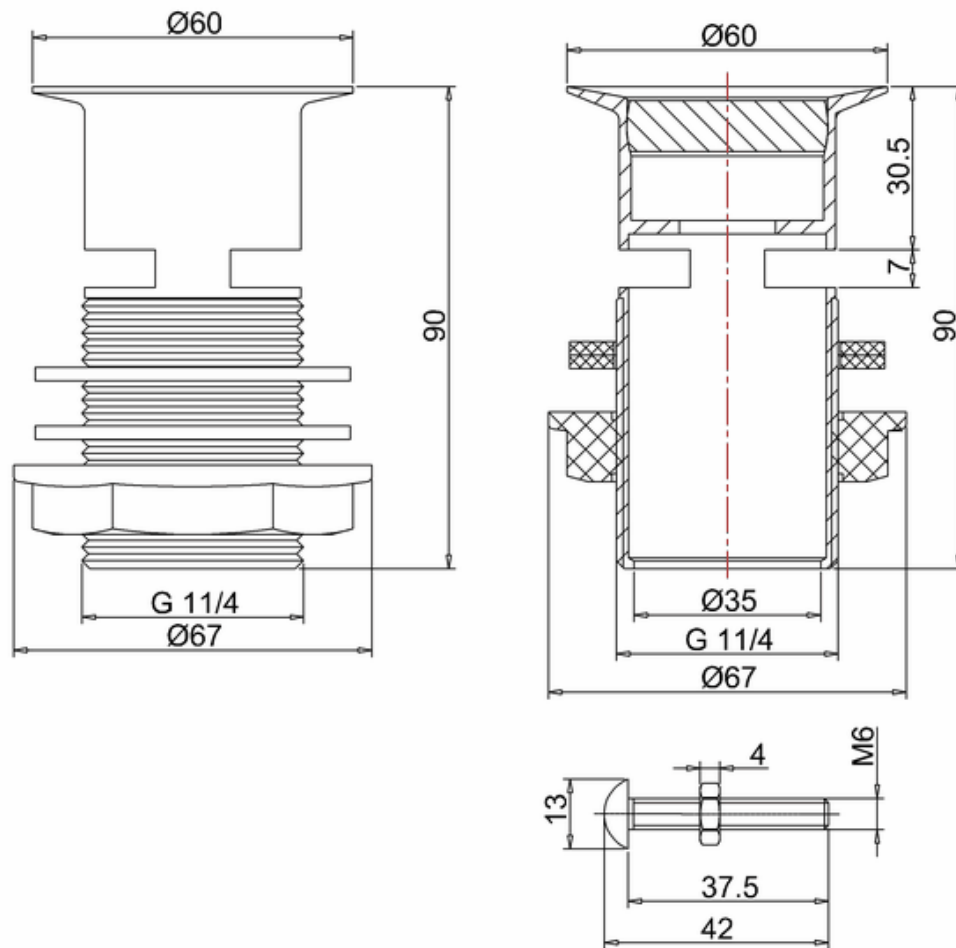


MBFW110N - FLOW BASIN MONOBLOC
With No Pop-up Waste Deck Mounted

20003000018 - Flip Top Basin Waste (slotted)



Note:

For each part of the accessory, the dimension tolerance should be followed the list below.

| 0 - 100 | 101 - 200 | 201 - 400 | ≥ 401 |
|---------|-----------|-----------|------------|
| ± 1 | ± 2 | ± 3 | ± 5 |

For the finished assembly, the dimension tolerance should be followed the list below.

| 0 - 300 | ≥ 301 |
|---------|------------|
| ± 2 | ± 5 |