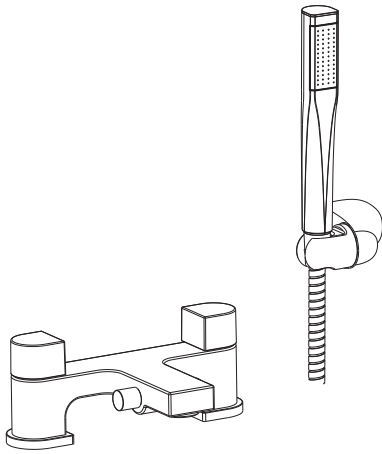


Specification Sheet

Bath Shower Mixer with kit dual lever



Product Specification

- Finish:** Chrome plated
- Construction:** Bodies of tap are solid brass castings and the handles are zinc cast
- Valve Type:** Quarter turn ceramic disc headwork
- Supply:** Suitable for all plumbing system
- Inlet Connection:** G3/4" male tail
- Water Pressure:** Range from a minimum pressure of 0.5bar to a maximum pressure of 5bar
- Net Weight:** 2.38Kg
- Guarantee:** The product carries a 5 year manufacturer's guarantee, **excluding** the ceramic disc headwork - this is covered by a 12 month guarantee.

Flow Rates(litres per minute)

System pressure	0.2bar	0.5bar	1bar	3bar
MBPS422D	12.5	14.8	21	36.8

We reserve the right to make technical modifications without prior notice