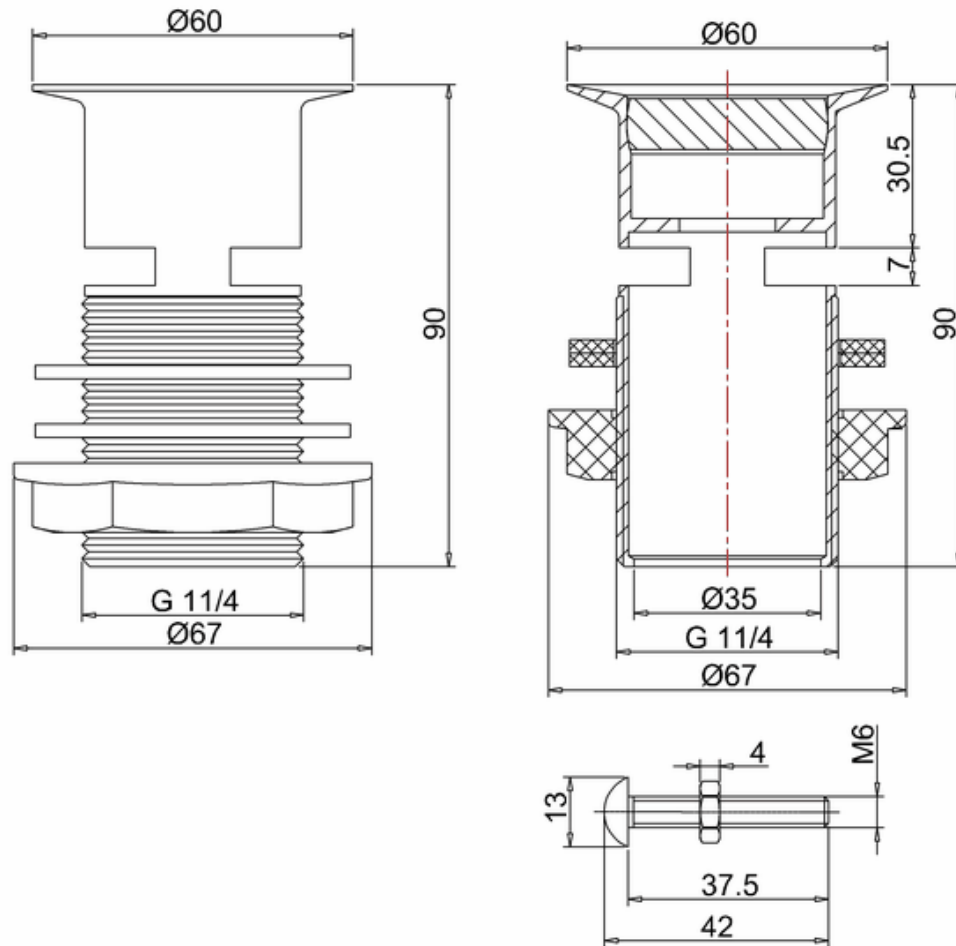


MBPS110N - PLANET BASIN MONOBLOC  
With No Pop-up Waste Deck Mounted

## 20003000018 - Flip Top Basin Waste (slotted)



**Note:**

For each part of the accessory, the dimension tolerance should be followed the list below.

0 - 100	101 - 200	201 - 400	$\geq 401$
$\pm 1$	$\pm 2$	$\pm 3$	$\pm 5$

For the finished assembly, the dimension tolerance should be followed the list below.

0 - 300	$\geq 301$
$\pm 2$	$\pm 5$