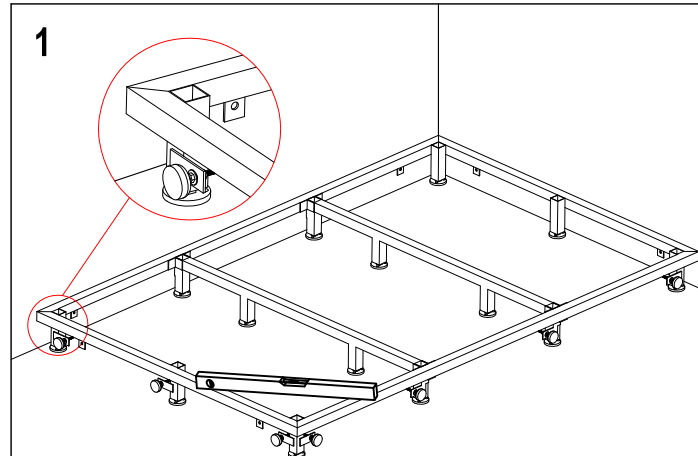


SHOWER TRAY FRAME - WALK-IN 1400

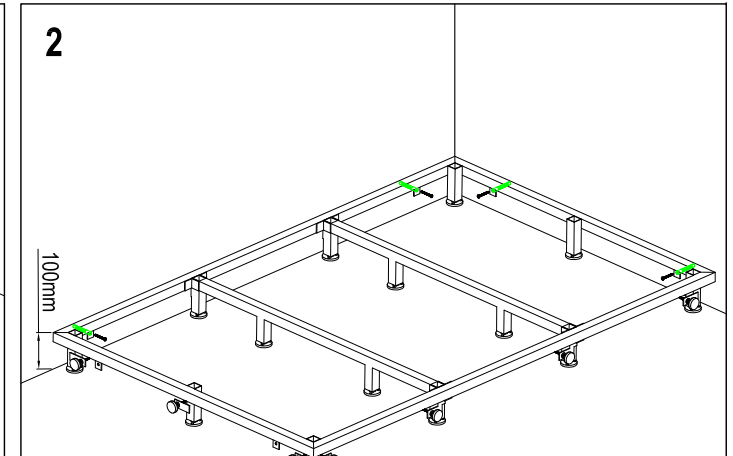
CODE	NAME	QTY
005	Feet	14
002	Magnet	7
003	Wall plug	4
004	Wall screw	4
001	Screw	8

1



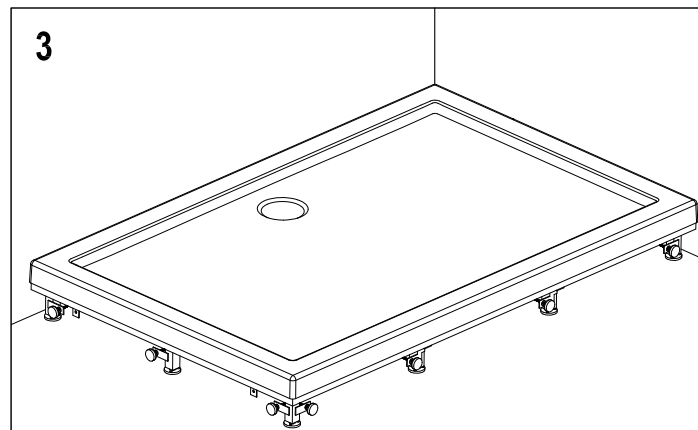
- Place the frame in position and adjust the frame so that the room-facing sides should all be 100mm high allowing the remaining 4 height adjustors to compensate for uneven floors.
- Magnets should be facing outwards.

2



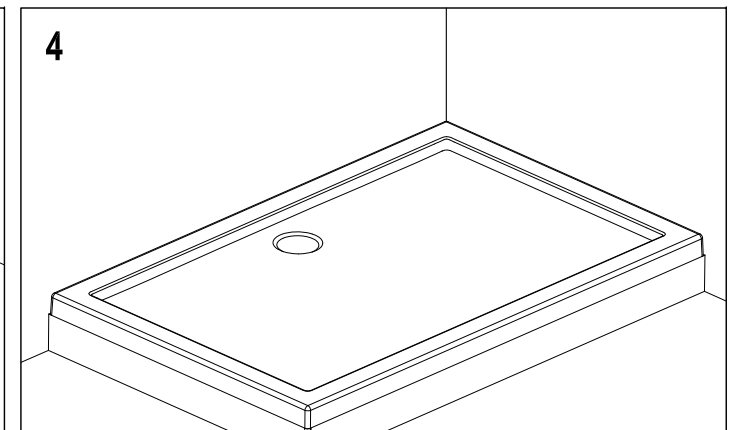
- Fix the frame to the wall.
- Frame may also be fixed to the floor, but fixings for this are not included.

3



- Place the tray on to the frame, and install the waste.
- Please follow the waste installation instruction that is supplied with the high flow waste.
- Once the waste is fitted generously apply silicone to the top of the frame, and set the tray on the frame.

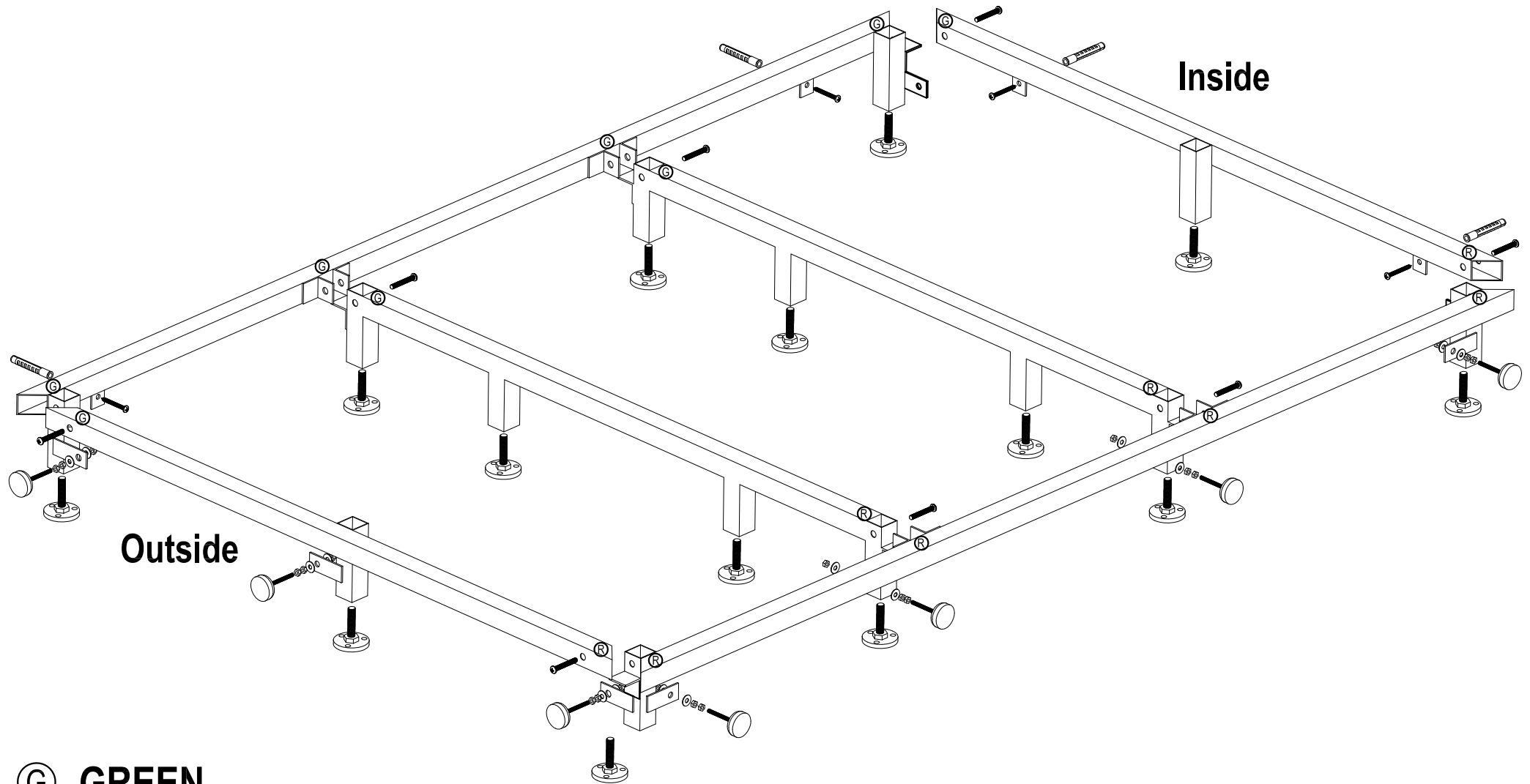
4



- Attach the panels.
- Before installing the shower enclosure complete the tiling and grouting. The tray must be sealed and level before installation of the shower tray.

The manufacturer reserves the right to make technical modifications without prior notice.
The wall screws and plugs provided are suitable for masonry walls. Please ensure that the fixings you use are suitable for the wall construction.

Frame Assembly



G GREEN
R RED



Frame may also be fixed to the floor, but fixings for this are not included.
If you need to reverse the installation then switch the two parts as required: outside, inside.

Please see our website www.bathstore.com for any assistance.