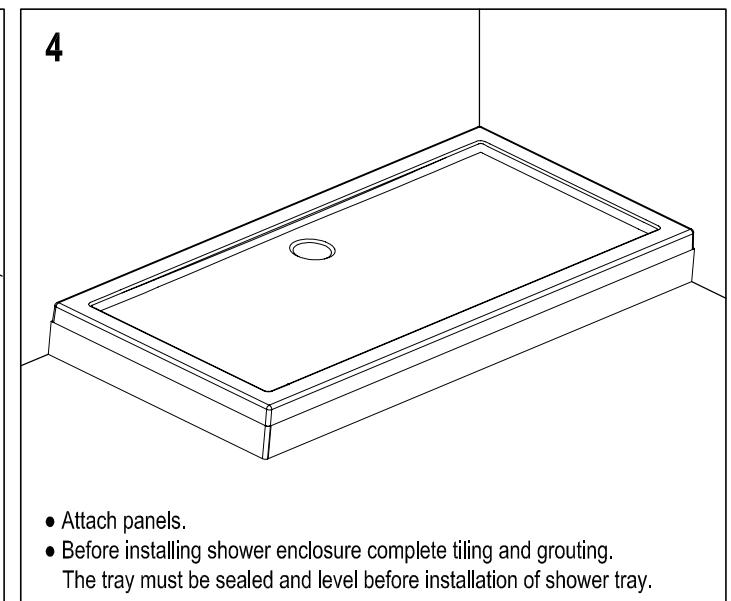
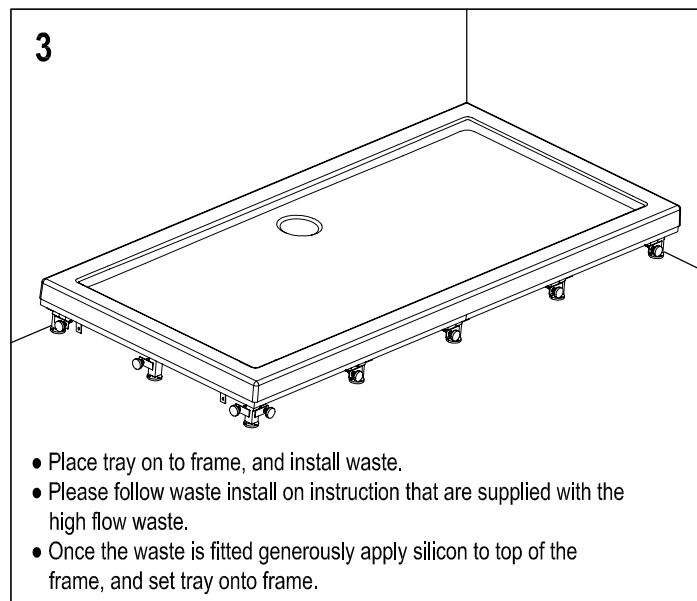
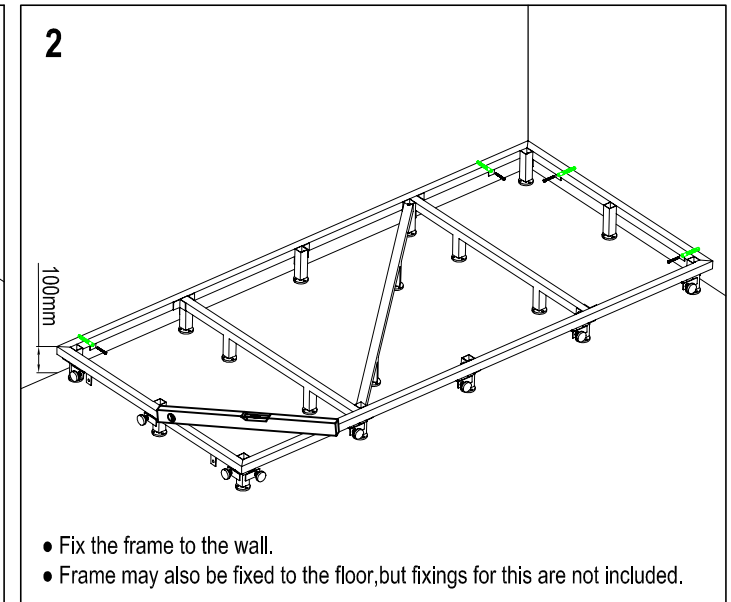
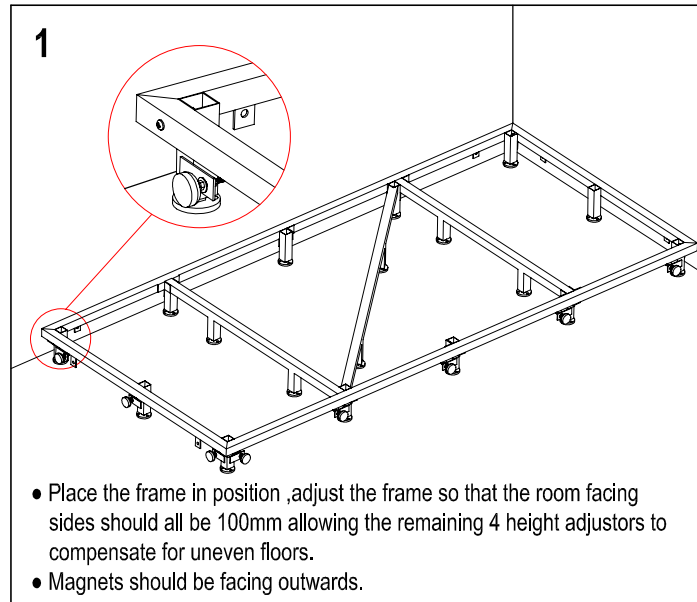


# SHOWER TRAY FRAME - WALK-IN 1700

CODE	NAME	QTY
005	Feet	18
002	Magnet	8
003	Wall plug	4
004	Wall screw	4
001	Screw	8



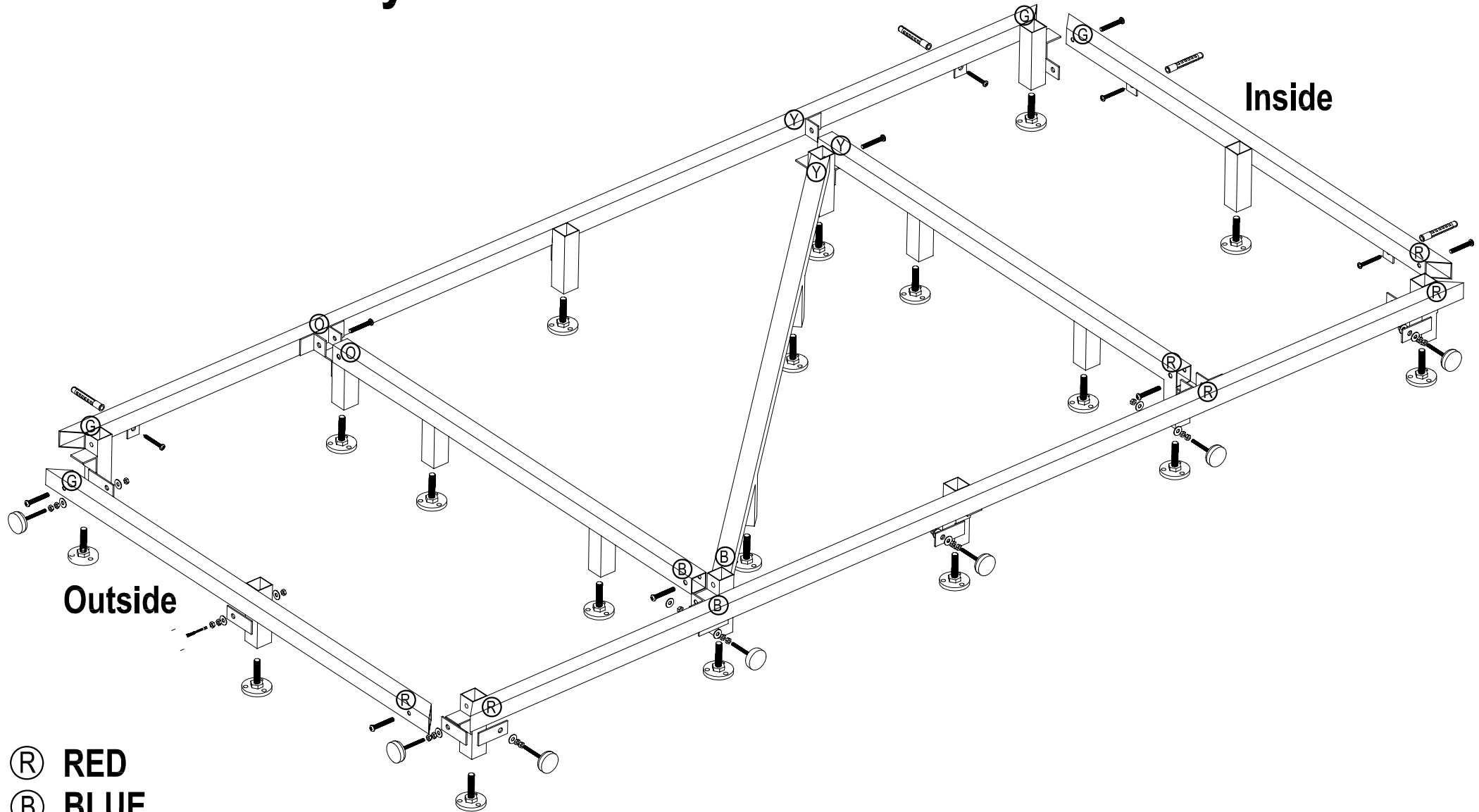
For any further information please contact Bathstore on: **08000 23 23 23**

Or visit our website at [www.bathstore.com](http://www.bathstore.com)

The manufacturer reserves the right to make technical modifications without prior notice.

The wall screws and plugs provided are suitable for masonry walls. Please ensure that the fixings you use are suitable for the wall construction.

# Frame Assembly



- Ⓡ RED
- Ⓑ BLUE
- Ⓞ ORANGE
- Ⓨ YELLOW
- Ⓒ GREEN



Frame may also be fixed to the floor, but fixings for this are not included.  
If you need to reverse the installation then switch the two parts as required: outside, inside.