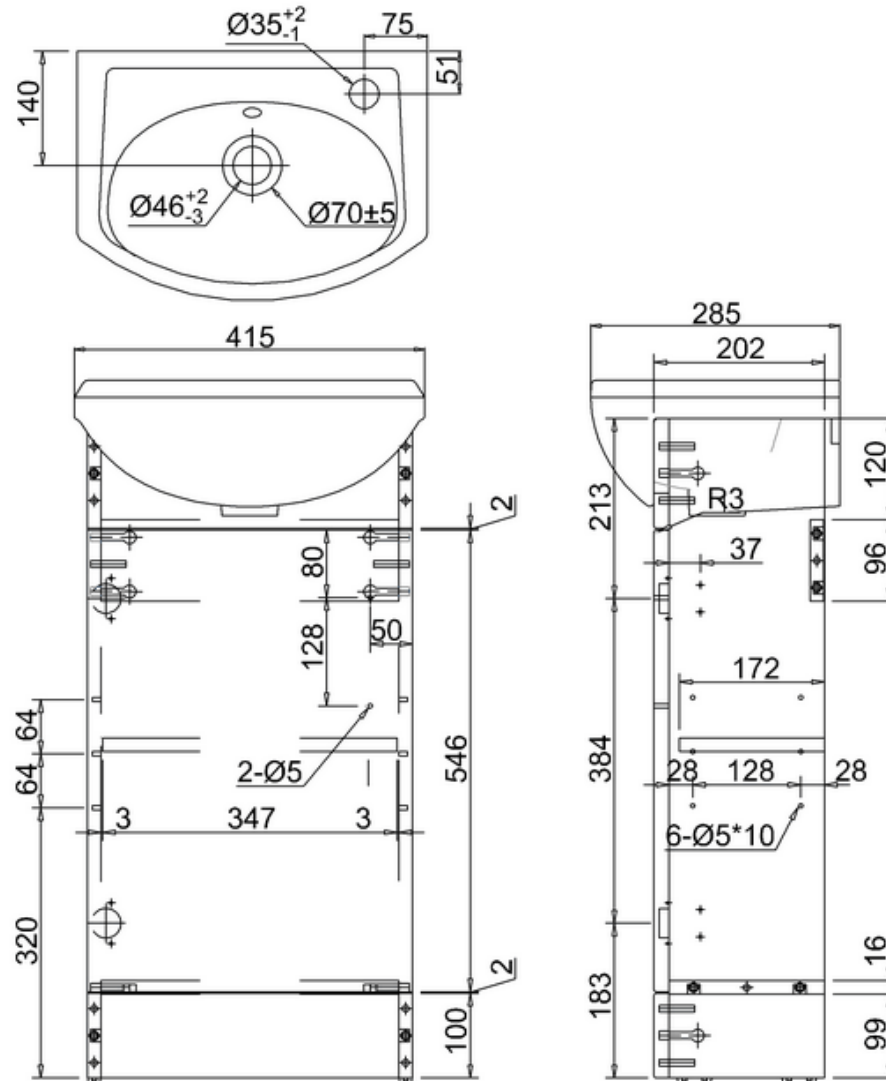




bathstore

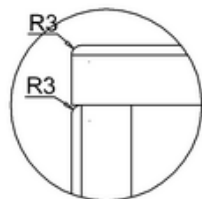
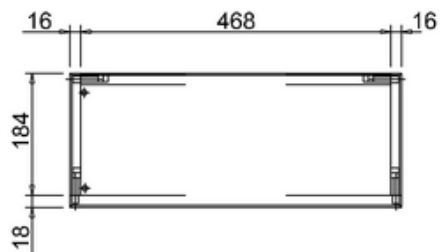
20050090020 - BASICS MATCH 385 SGLE DR VANITY BASI UNIT & BAS 1TH WHT W385 D202 H780



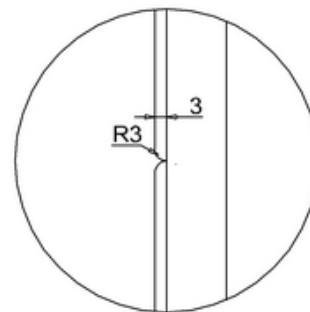


bathstore

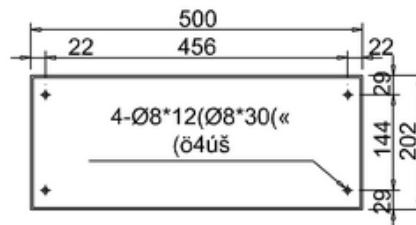
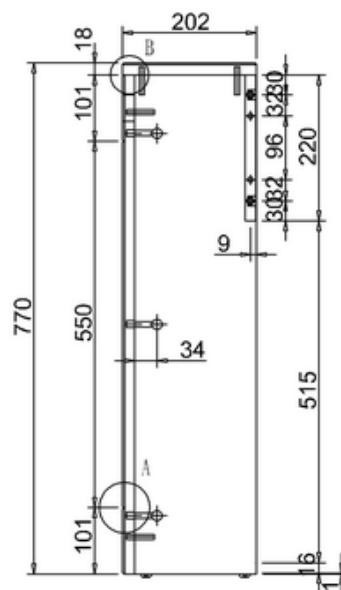
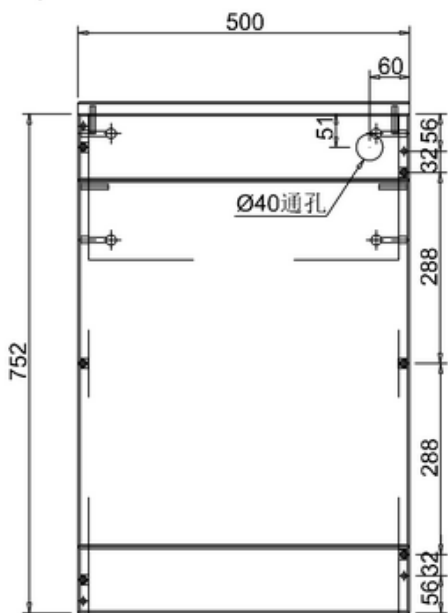
20050090030 - BASICS MATCH WC UNIT WHT EXC FITTINGS W500 D202 H770



B 1:5



A 1:6



Note:

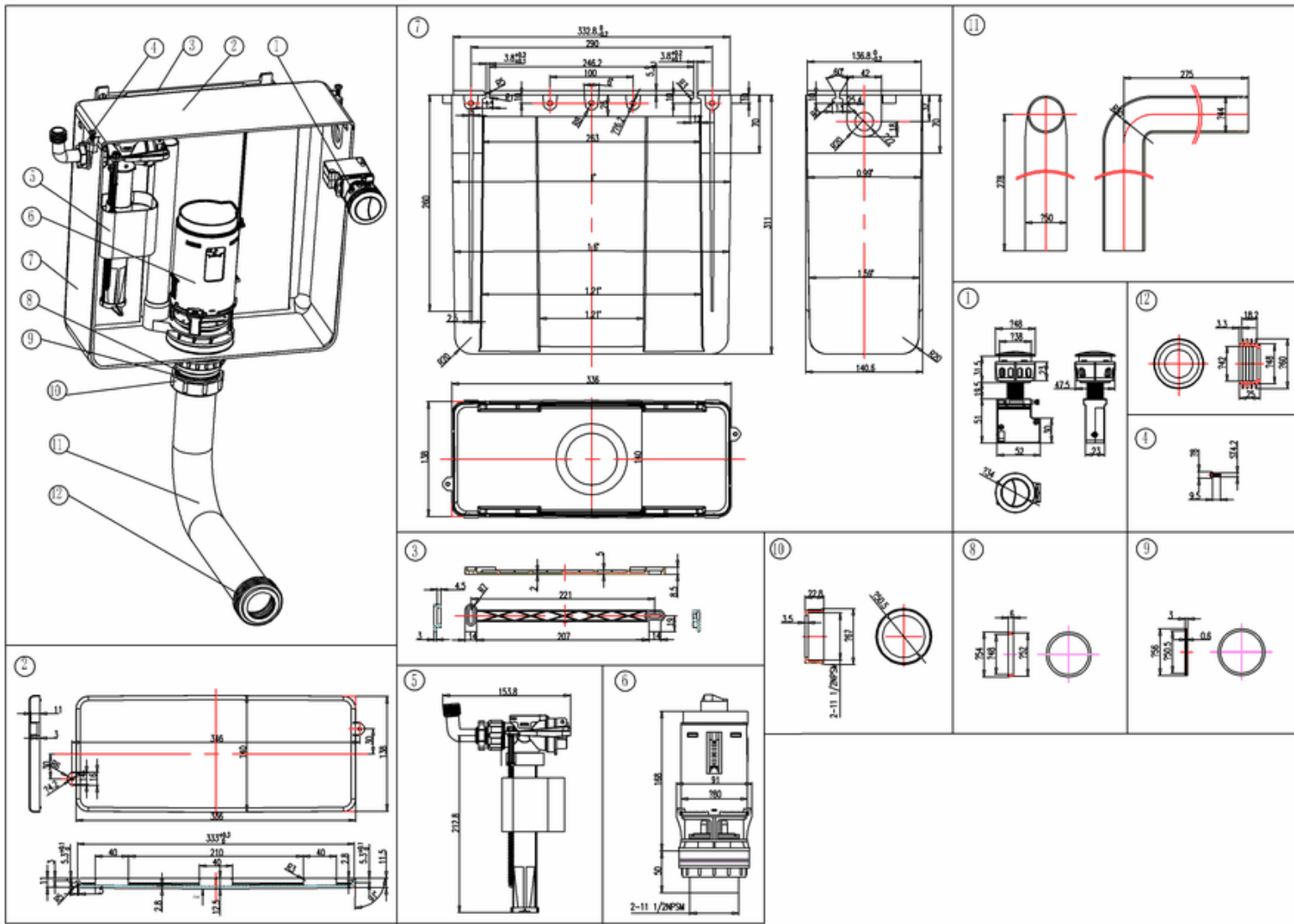
The length, width, height dimension tolerance is: ?5

The shelf dimension tolerance is: ?2



bathstore

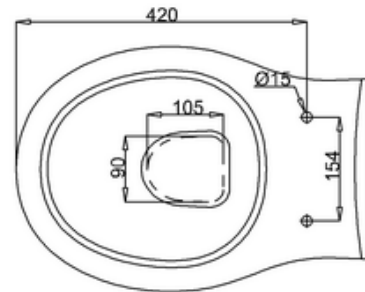
41100060160 - BATHSTORE DUAL CONCEALED CISTERN POLY JACKET TOP ACCESS 400x357x160





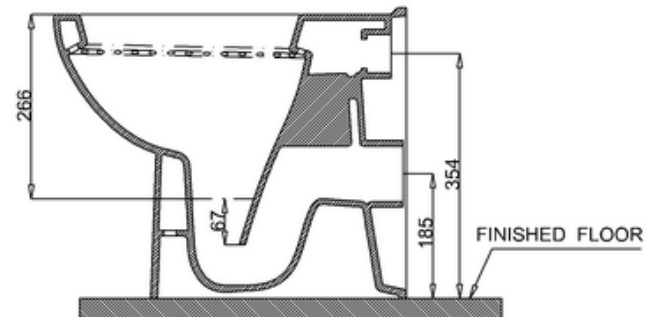
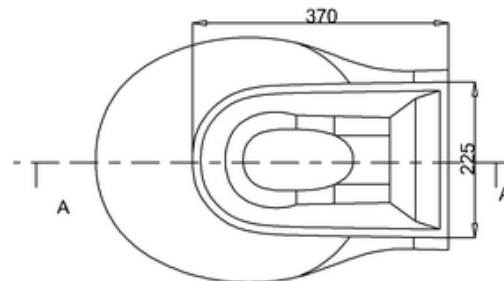
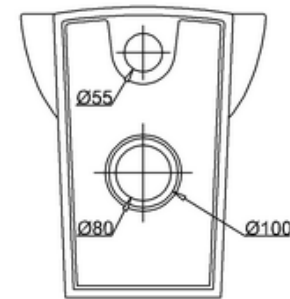
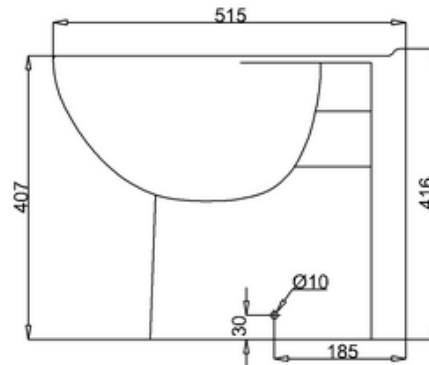
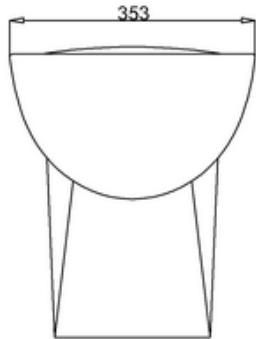
bathstore

41200240070 - BASICS MATCH BACK TO WALL PAN



Remark:

- 1: Flatness of installation surface: 0~2mm
- 2: Flatness of whole surface: 0~5mm
- 3: Depth of water seal: Min.50mm
- 4: Spigot length: Min.40mm
- 5: Clearance around spigot: Min.150mm
- 6: Depth of inlet hole: Min.25mm
- 7: Height difference between left and right: 0~6mm
- 8: Height difference between front and rear: 0~6mm
- 9: From seat hole to front rim:
For the top control as 2mm;
For the bottom as 6mm





bathstore

41200240080 - BASICS MATCH BACK TO WALL SOFT CLOSE SEAT

