

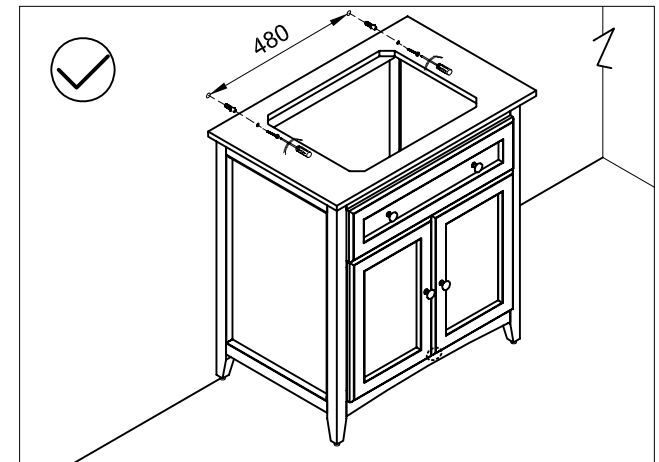
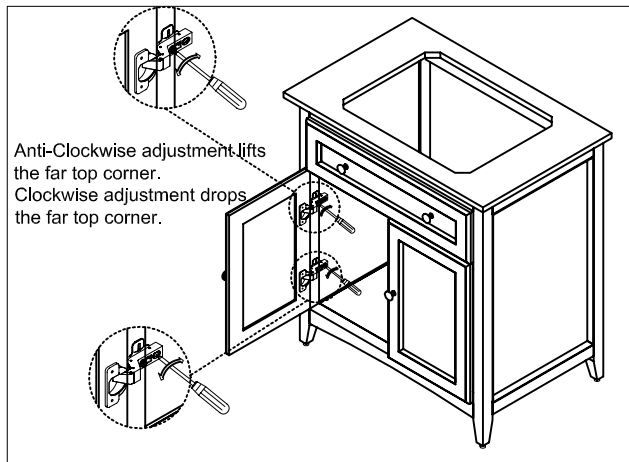
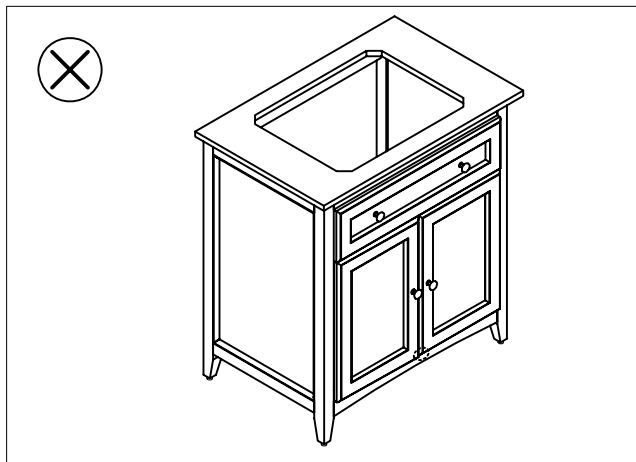
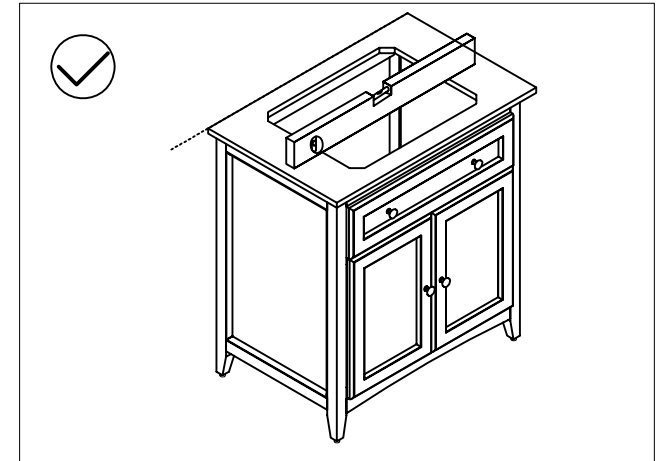
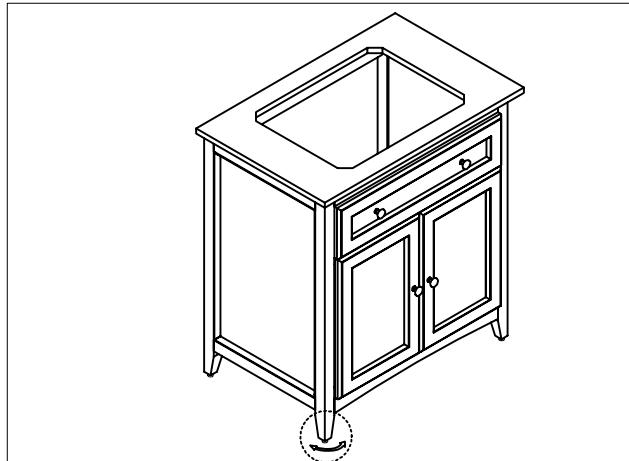
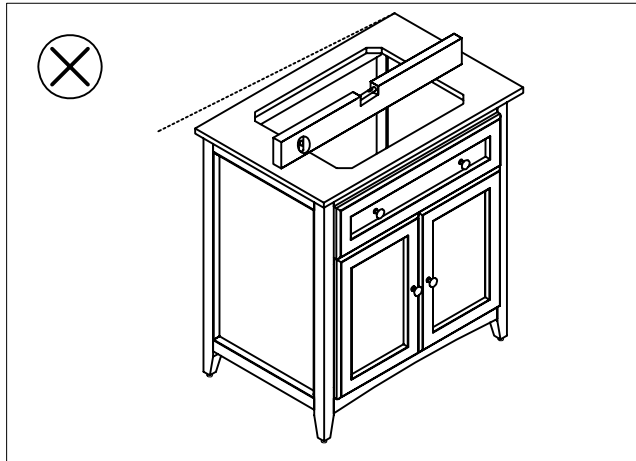
Savoy Basin Units Assembly Instructions

IMPORTANT: This unit must be securely fixed to a wall. Ensure that the top is horizontal before marking the wall for fixing.

The wall fixings supplied may not be suitable for your installation. You may need to source alternatives depending on the material and strength of the wall you are fixing to.

Care and Maintenance : Please leave with the householder

This furniture is made of wood, and has a water resistant finish. It should not be left wet, and the quality of the finish is best maintained if it is wiped with a dry cloth after use. It should only be cleaned using a soft damp cloth followed by a dry cloth. Do not use bleach or any abrasive cleaner.

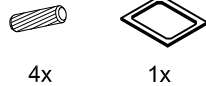


Savoy Top Assembly Instructions

Care and Maintenance : Please leave with the householder

This furniture is made of wood, and has a water resistant finish. It should not be left wet, and the quality of the finish is best maintained if it is wiped with a dry cloth after use. It should only be cleaned using a soft damp cloth followed by a dry cloth. Do not use bleach or any abrasive cleaner.

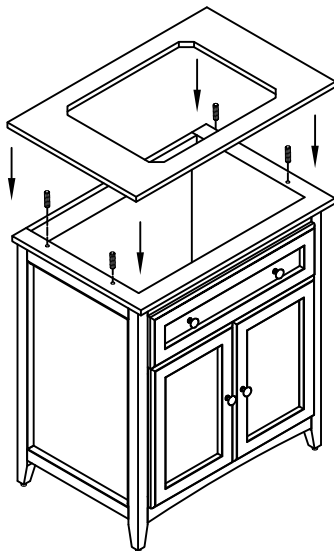
PARTS SUPPLIED:



4x

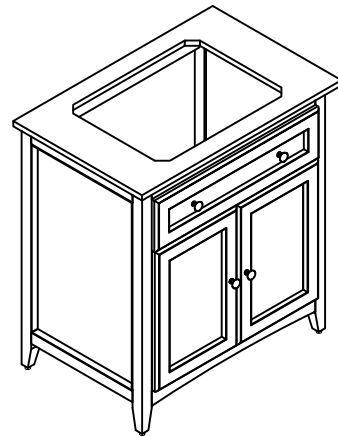
1x

1.

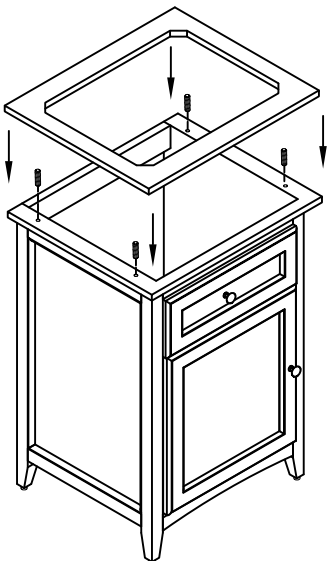


Ensure that dowels are pushed in fully by tapping with a mallet before fitting the top panel.
Use PVA glue or silicone sealant to bond the top panel to the cabinet.

2.



1.



Ensure that dowels are pushed in fully by tapping with a mallet before fitting the top panel.
Use PVA glue or silicone sealant to bond the top panel to the cabinet.

2.

