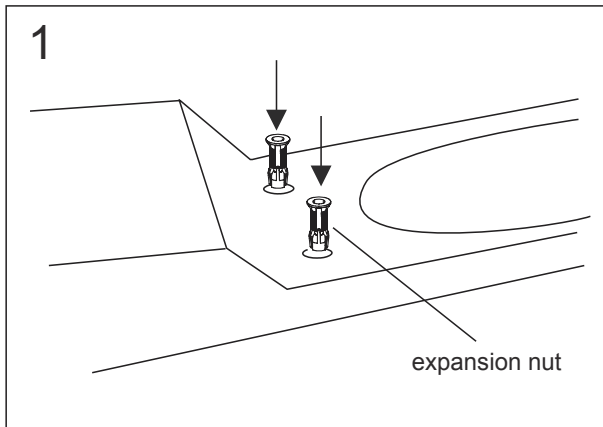
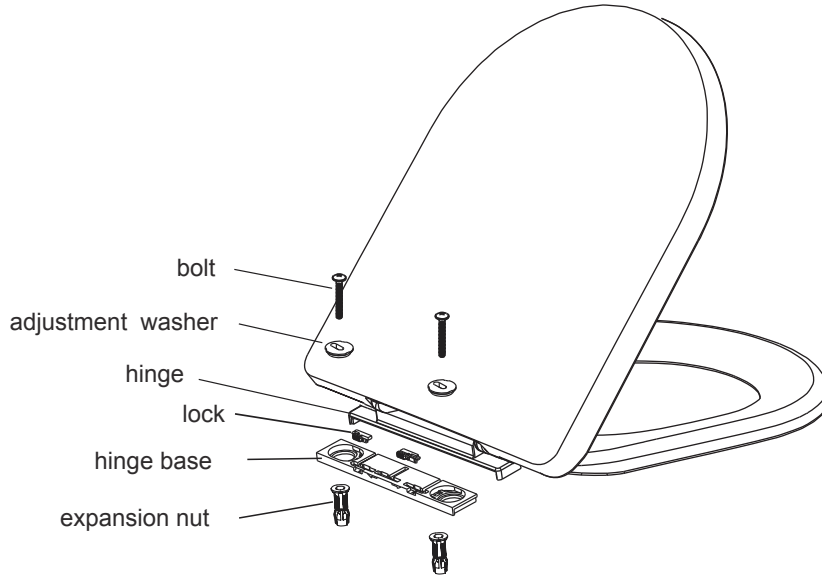
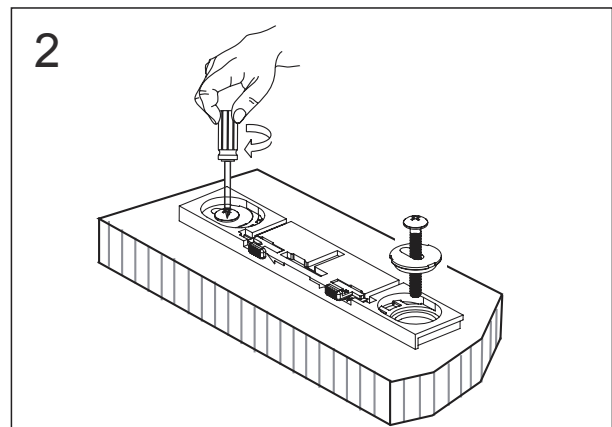


Euro Mono Standard Thermoplast Seat Installation Instructions - 20050030290

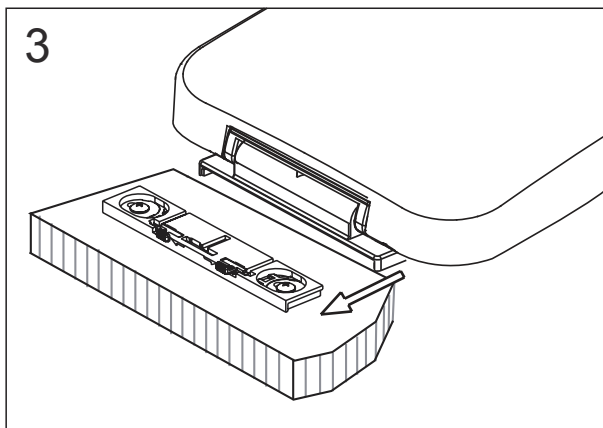
Please read these instructions carefully before installation,
and leave with the end user for care and maintenance..



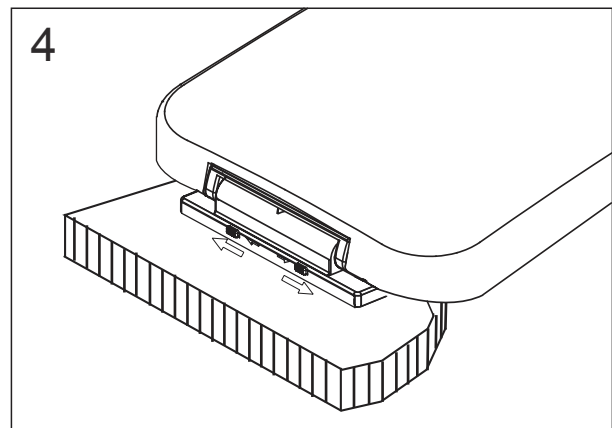
Insert expansion nuts into the fixing holes.



Fit the hinge base to the pan with the bolts through the adjustment washers, and leave slightly loose to allow for adjustment.



Slide seat over hinge base and adjust its position. Remove the seat and tighten the bolts to ensure the hinge base is secure.



Re-fit the seat and slide apart the locking catches.

Cleaning: Clean with mild detergent and a soft cloth.

Maintenance: Always ensure the seat is securely fitted to the pan. Inspect regularly for wear and damage as well as for secure fit.