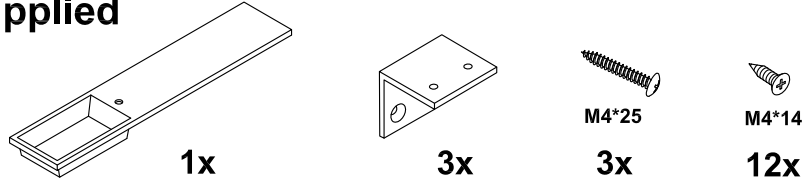


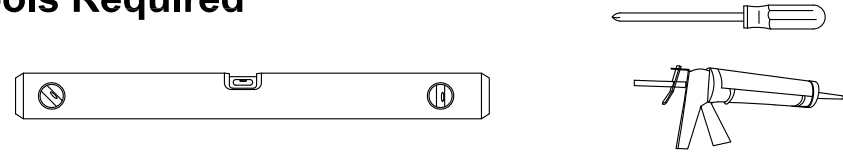
# MyPlan™ Slimline 1500 1TH Basin No Overflow Instructions

41405005010

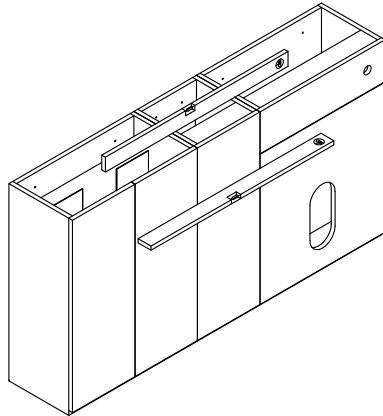
## Parts Supplied



## Tools Required

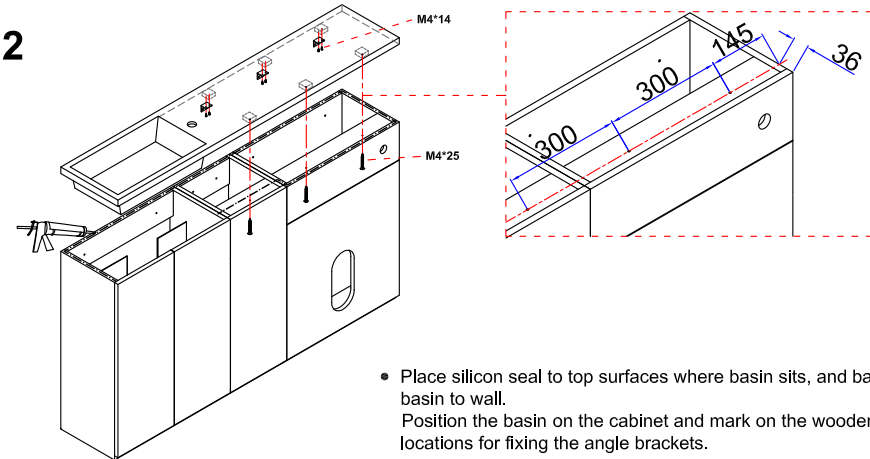


1



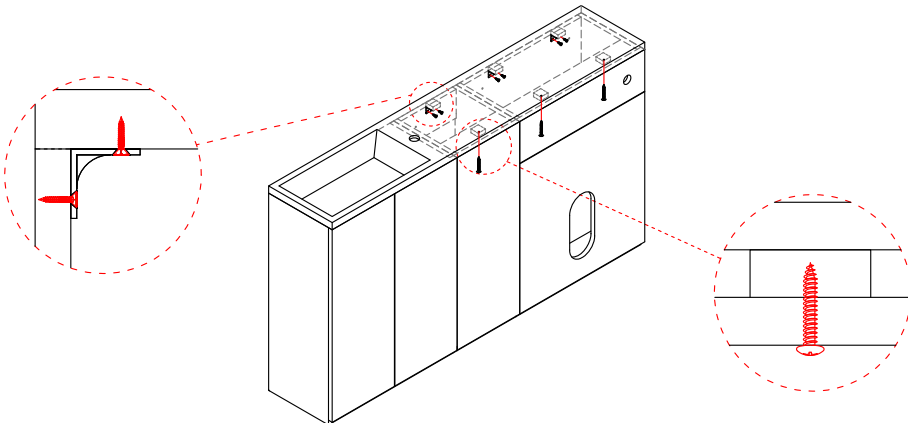
- Make sure that the cabinets are level, and flush.

2



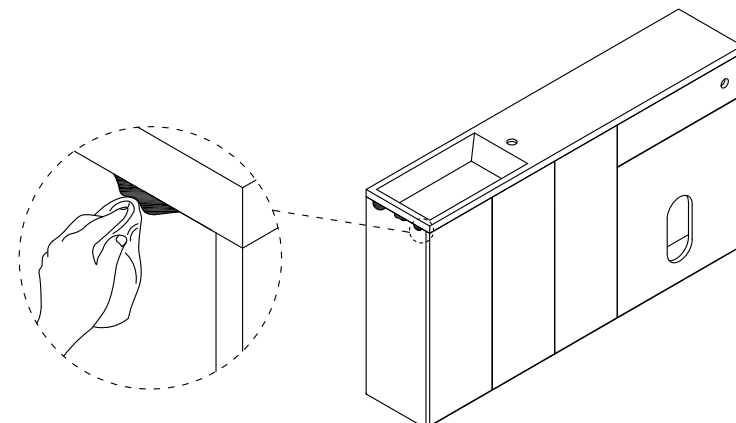
- Place silicon seal to top surfaces where basin sits, and back edge of basin to wall.  
Position the basin on the cabinet and mark on the wooden blocks the locations for fixing the angle brackets.

3



- Use the brackets and fixing screws to secure the Basin as shown in the diagrams.

4



- The Basin should be cleaned using soft damp cloth with common detergent. Do not use any abrasive agents.