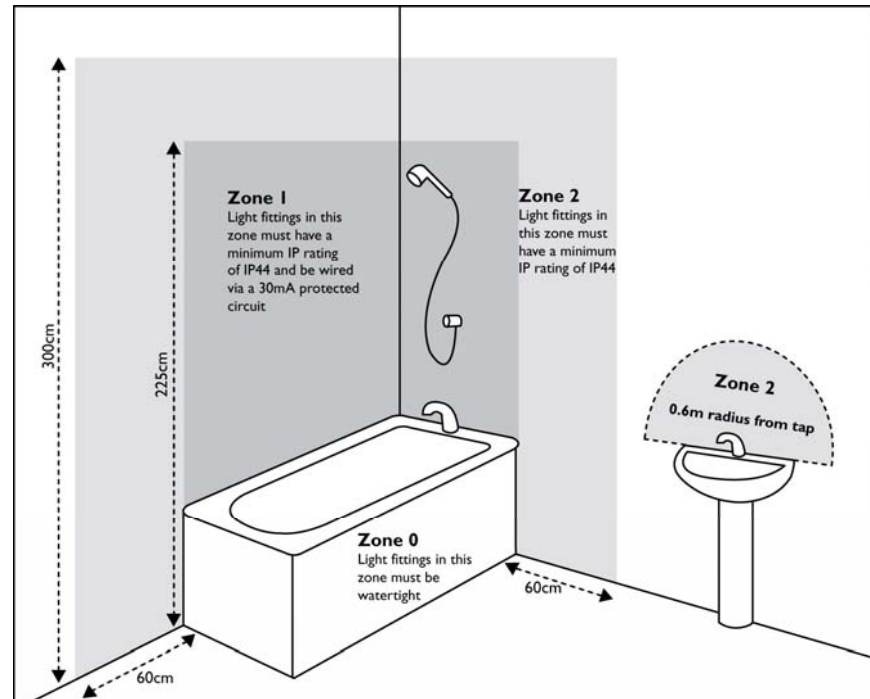





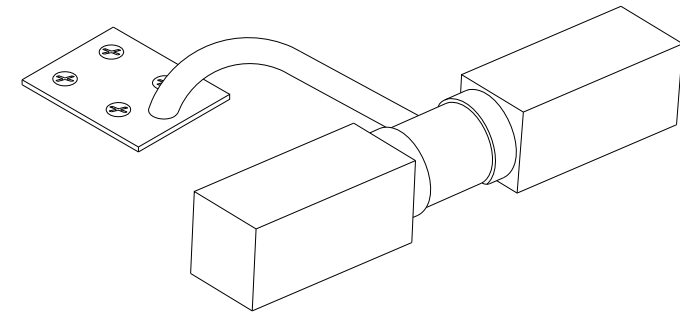
# HOTEL SQUARE CABINET LIGHT CHROME



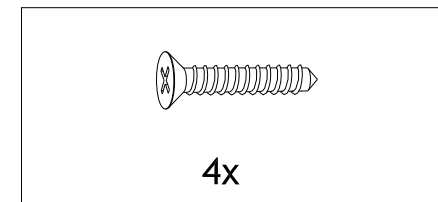
**This overhead light is intended to be installed in a bathroom or shower-room. However it is not IP rated for water ingress protection and should be mounted beyond Zones 1 and 2 (see fig above).**

## SAFETY INFORMATION

- \* We recommend any electrical wiring in the bathroom is carried out by a qualified electrician. All wiring must comply with the current edition of the IEE wiring regulations and relevant Building Regulations
- \* If you are in any doubt consult a person competent to give advice on the installation of electrical equipment.
- \* Before installation and servicing disconnect the electricity supply at the fuse board.
- \* To avoid damage to concealed wiring during installation, establish the direction of the supply cable before drilling fixing holes.
- \* The fitting should be connected to a supply protected by a 30mA RCD.
- \* This fitting is Class I =  $\perp$  and should be fitted to a lighting supply (with earth) protected by a 5 amp fuse or equivalent circuit breaker.
- \* Always be sure to use the correct type and wattage of lamps as indicated on the fitting.
- \* When changing the lamp, always switch off at the mains and allow the old lamp to cool down before handling. Dispose of used lamps carefully.
- \* This fitting is designed for use with self-shielded mains voltage halogen lamps only = 
- \* Ensure light source is at least 0.5m from surfaces to prevent overheating.



44400007110  
Polished Chrome & Opal Glass  
G9 LED Lamp



## INSTALLATION INSTRUCTIONS

These instructions are provided for your safety.  
Please read carefully before commencing work and retain for future reference.

## INSTALLATION

1. Ensure the electricity supply is disconnected at the fuse board or consumer unit.
2. The product should be fitted on a vertical cabinet.
3. Determine the final installation position, mark and fix the backplate using 4 screws supplied onto the cabinet or suitable surface to support the weight of this fitting. (while fixed, taking care not to damage wiring)

4. Electrical connections should be made.

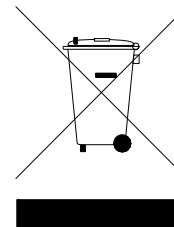
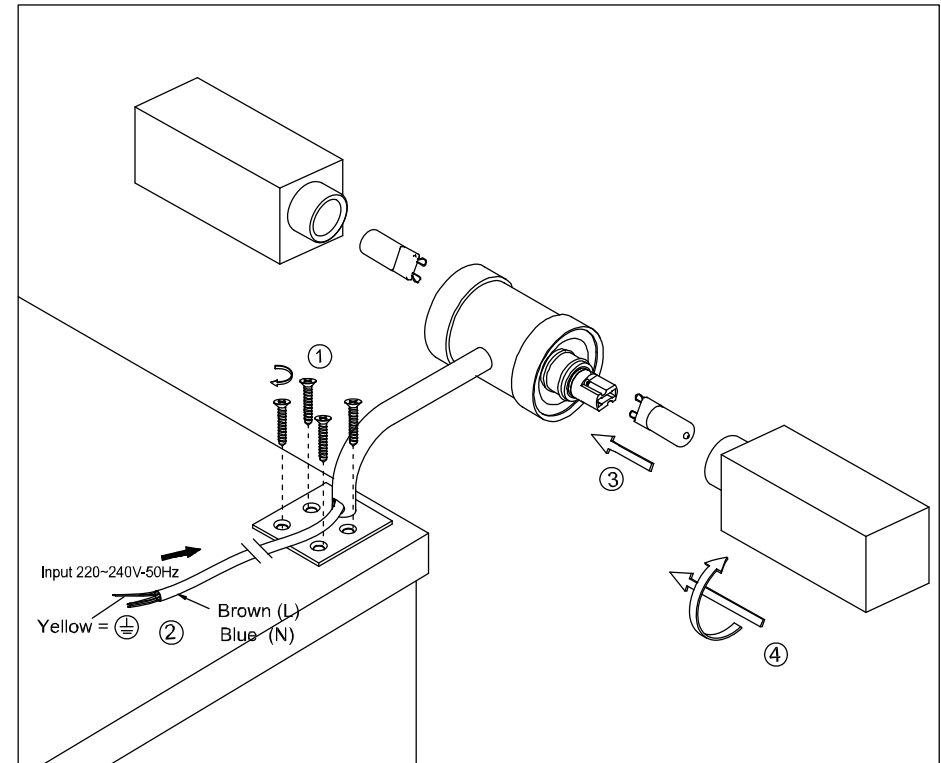
Connect supply live (normally brown or red) to terminal (marked “L” or brown) on fitting.

Connect supply neutral (normally blue or black) to terminal (marked “N” or blue) on fitting.

Connect supply earth (normally yellow) to terminal (marked “⊕” or yellow) on fitting.

Ensure electrical connections are tight and no loose strands of wire are left.

5. Fit the lamps supplied (230V- 2.5W G9 LED lamp)  
***If it is necessary, it should only be replaced by the same tape.***  
Do not touch the LED lamp with bare hands as this will shorten its life.  
**The wattage indicated must not be exceeded.**
6. **To fit glass:** Ensure silicone seal is seated correctly on the glass fitting, hold fitting firmly then push onto lampholder.
7. Switch on the electricity supply at the fuse board.



Waste Electrical & Electronic Equipment Regulations (WEEE) requires that any of our products showing this mark (left) must not be disposed of with other household or commercial waste. Bathstore does not levy any WEEE disposal charges to its customers for affected WEEE related products. To prevent possible harm to the environment or human health from uncontrolled waste disposal, please separate any such product from other waste types and recycle it responsibly at your local facilities. Check with your Local Authority, Recycling Center or retailer for recycling advice.

## GENERAL INFORMATION

This fitting is designed for internal use only.

**Do not use polish or abrasive cleaner - just a soft dry cloth.**