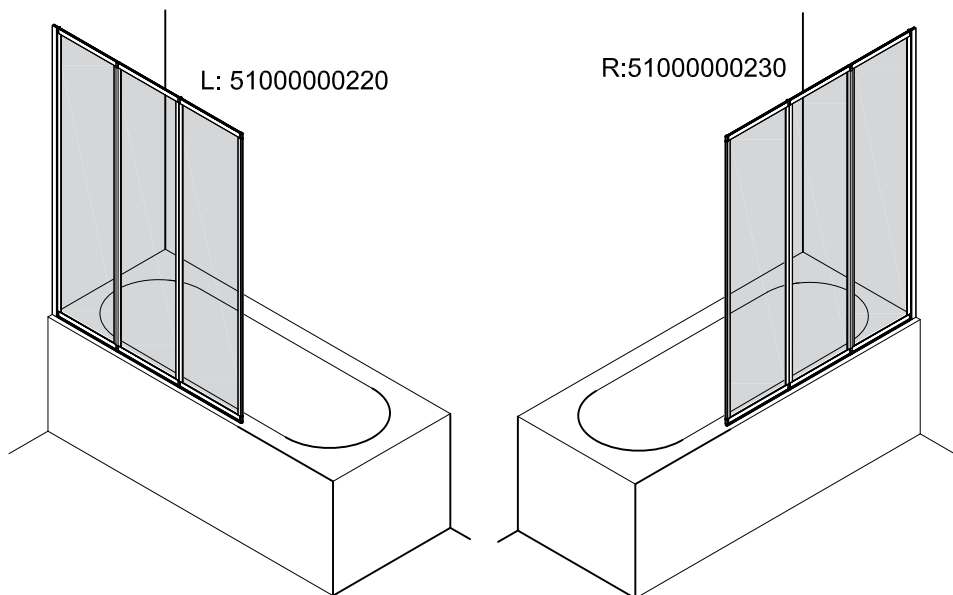


Concertina Left AND Right Hand Three Folding Bath Screen CHR W1200 H1500 Installation Instructions

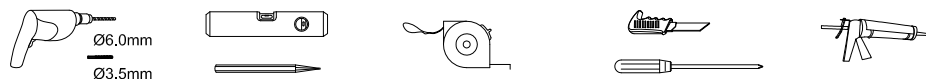


- Prior to installation check that all fittings have been supplied.
- The bath should be level, the walls should be tiled down to the bath, and the horizontal gap between the tiles and bath must be sealed with silicone sealant to ensure water-tightness.
- Handle glass with care. Impacts can damage both the glass and the frame.
- Please check for any hidden pipes or cables before drilling holes in the wall.
- The success of the installation and operation is, of course, dependant on the squareness, alignment and construction of the walls to which the bath is fixed.
- The wall fixings supplied may not be suitable for your installation. You may need to source alternatives depending on the construction of the wall you are fixing to.
- The bath screen has left and right hand versions. This instruction shows the left hand installation.

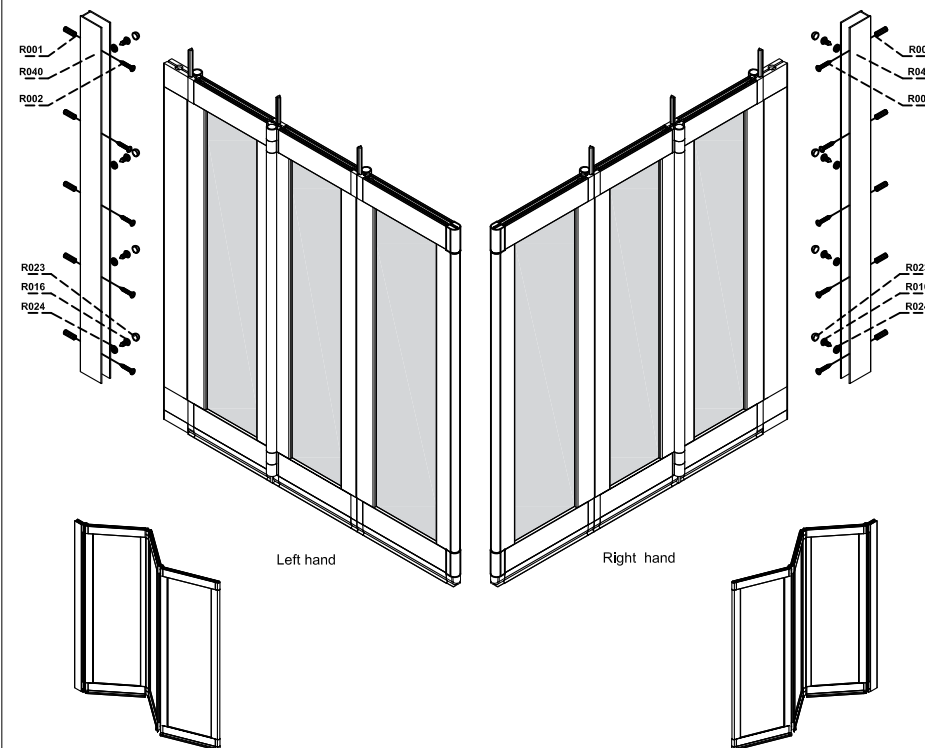
The installation of this shower screen requires some seals to be cut to length and siliconed into position. To ensure the integrity of the water retention it is very important that:

1. Vertical seals are cut cleanly, squarely, and to the correct length.
2. Silicone sealant is applied to the seals and frame as shown in these instructions
3. All components are pushed fully into place
4. The Silicone sealant is allowed to cure fully before final installation and use.

Tools required:



LEFT AND RIGHT HAND INSTALLATION SHOWN



R001	Spare parts			
5x				
R040	R002	R016	R024	R023
1x	5x	4x	4x	4x
	ST4*30mm	ST4*12mm		

