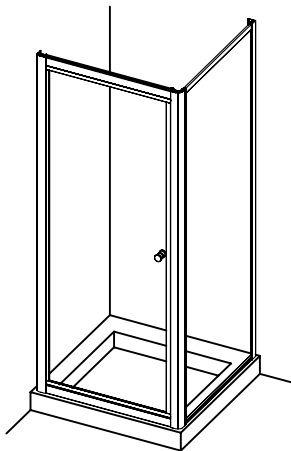


Smartline 700, 760, 800 SIDE PANEL CHR Installation Instructions

(41300014790, 41300014800, 41300014810)

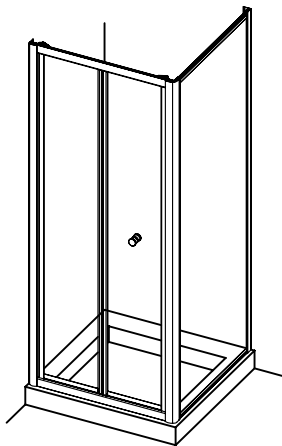
- Prior to installation check that all fittings have been supplied.
- The tray should be installed by a competent person. The tray should be level, the walls should be tiled down to the tray, and the horizontal joint between the tiles and tray must be sealed with silicone sealant to ensure water-tightness.
- Handle with care. Impacts can damage both the glass and the frame.
- Please check for any hidden pipes or cables before drilling holes in the wall.
- The success of the installation and operation is, of course, dependant on the squareness, alignment and construction of the walls to which the enclosure is fixed. If the walls are significantly out of true we recommend dry lining the walls to ensure they are both vertical and at 90 ° to each other.
- The enclosure is reversible: " door can be either left or right opening. "
In the remainder of this manual the illustrations will only show the left hand installation of the pivot/infold door.
- The wall fixings supplied may not be suitable for your installation. You may need to source alternatives depending on the construction of the wall you are fixing to.

Pivot door + side panel



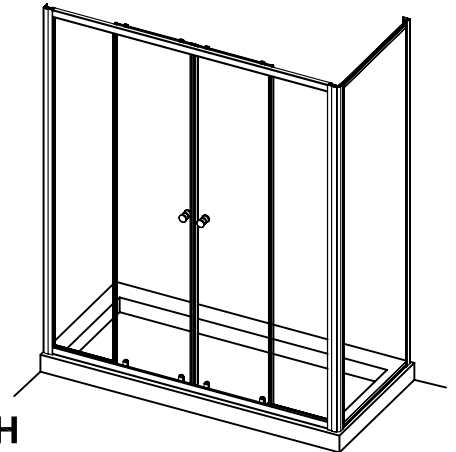
LH

Infold door + side panel

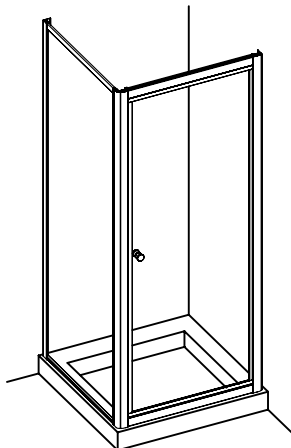


LH

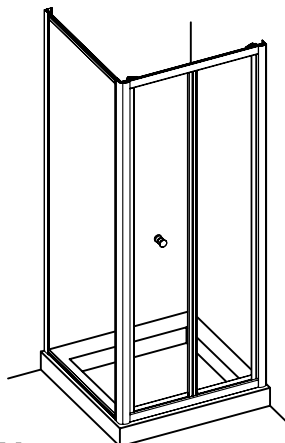
Slider door + side panel



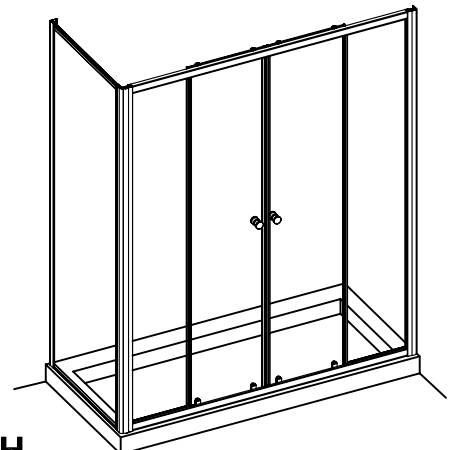
LH



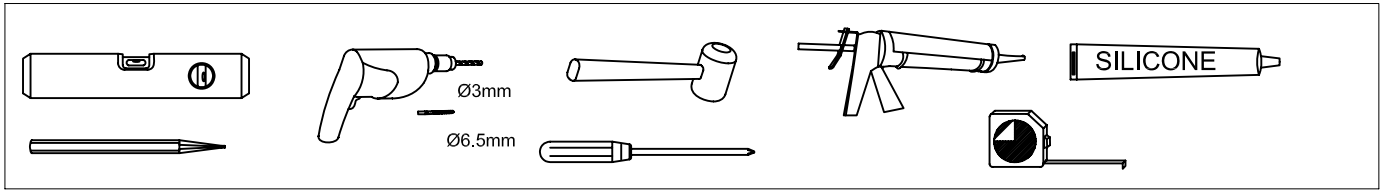
RH




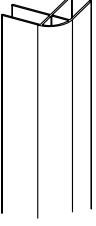
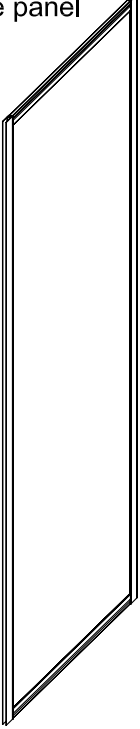


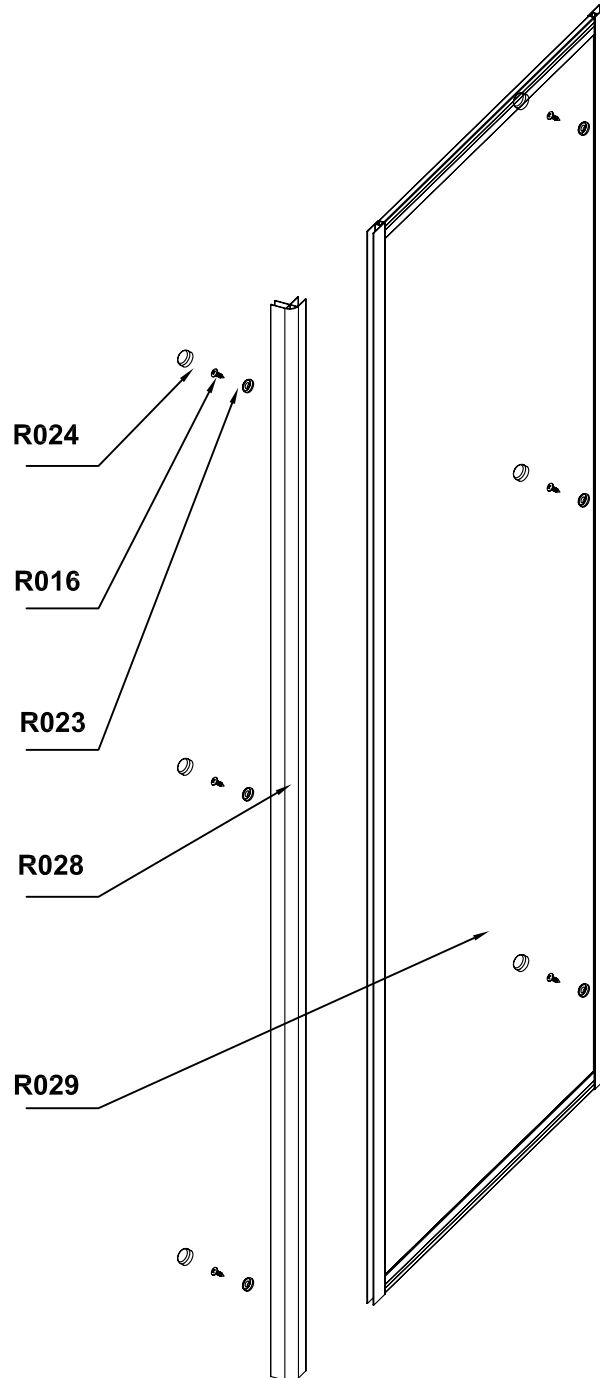
RH



RH

Tools Required:

Parts Supplied:

R024	 Screw cap	6x
R023	 Washer	6x
R016	 M4*12 B head screw	6x
R028	 Return frame	1x
R029	Side panel 	1x

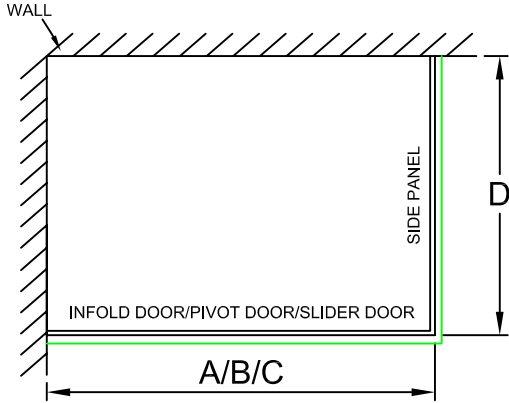


Installation Note:

ADJUSTMENT RANGE	
PRODUCT	A (mm)
760 Infold Door	727~767
800 Infold Door	767~807

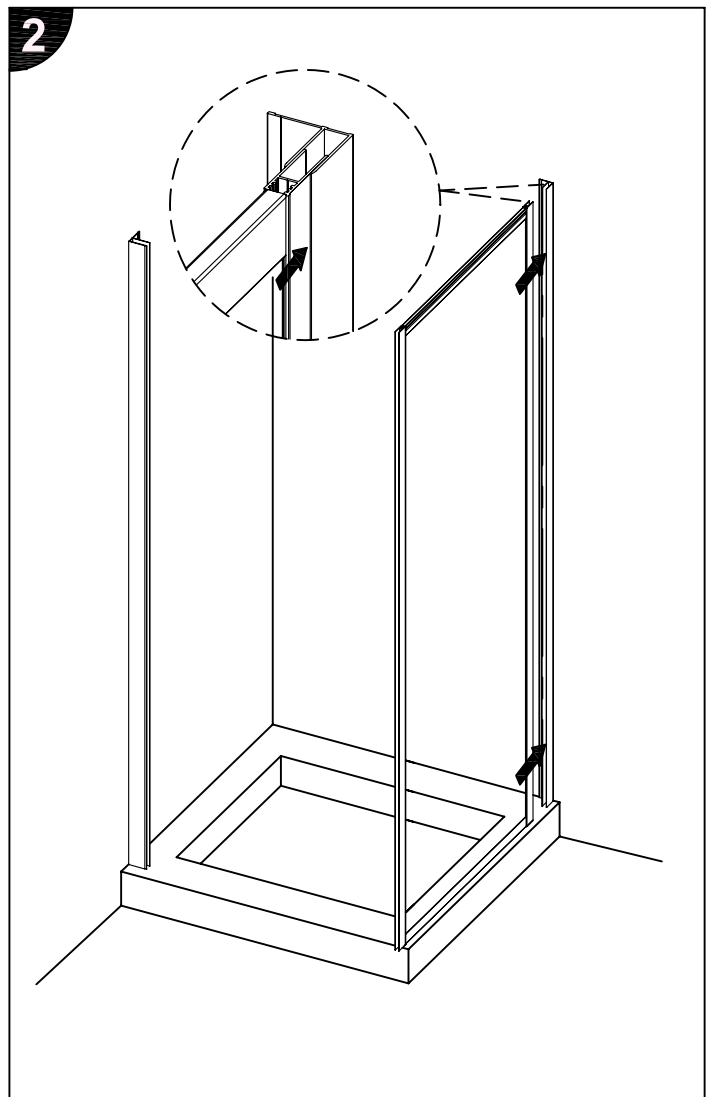
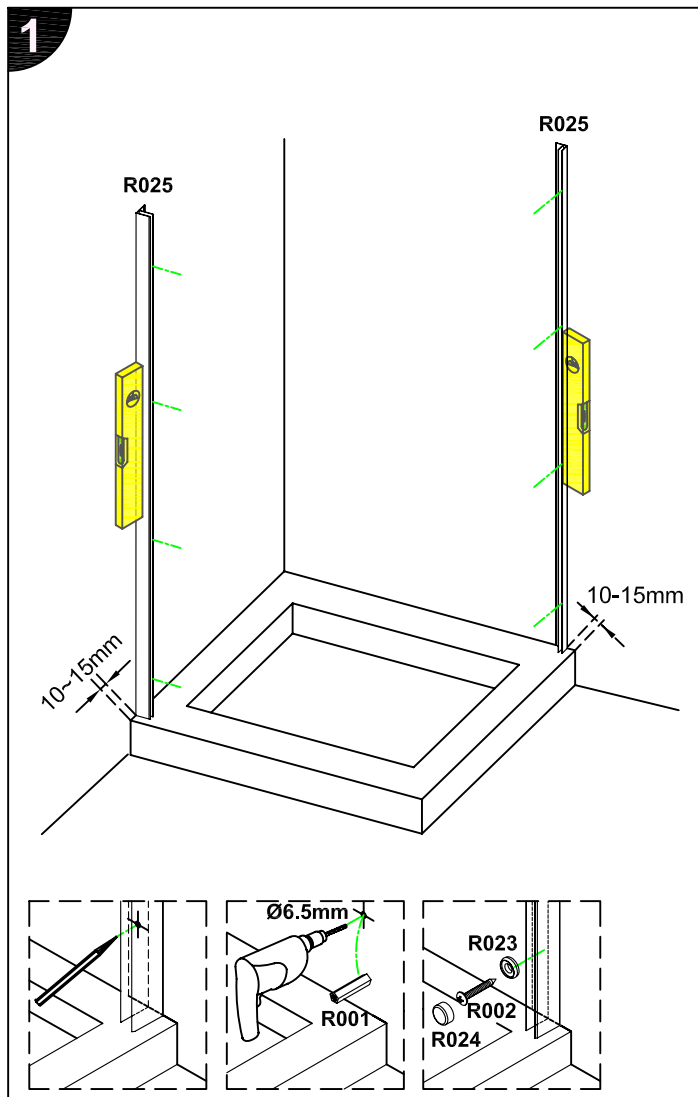
ADJUSTMENT RANGE	
PRODUCT	B (mm)
700 Pivot Door	667~707
760 Pivot Door	727~767
800 Pivot Door	767~807

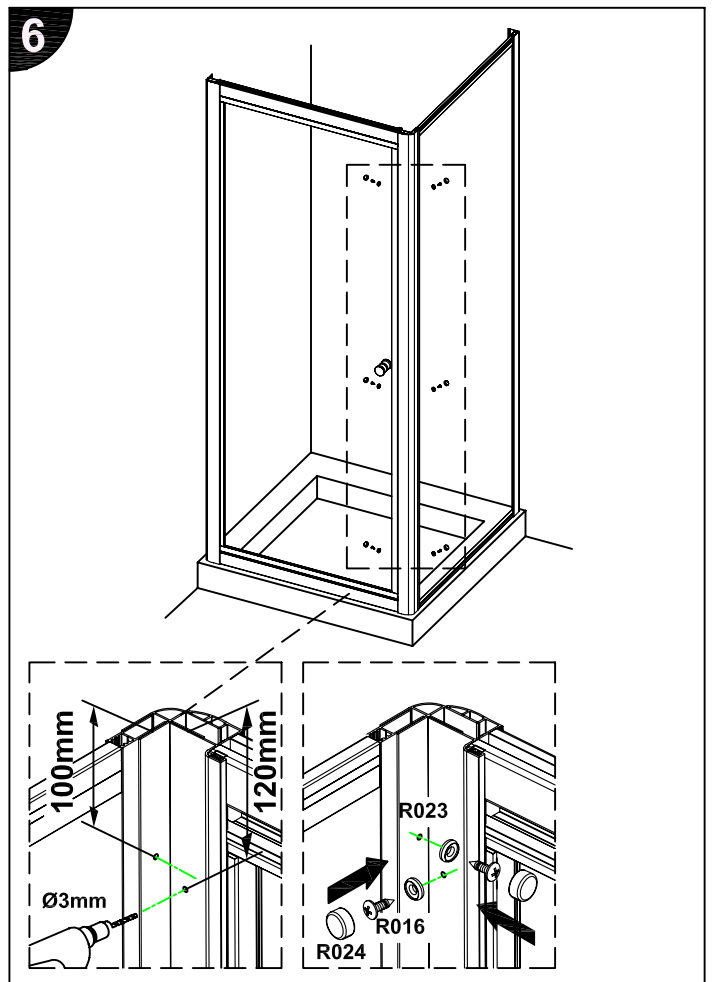
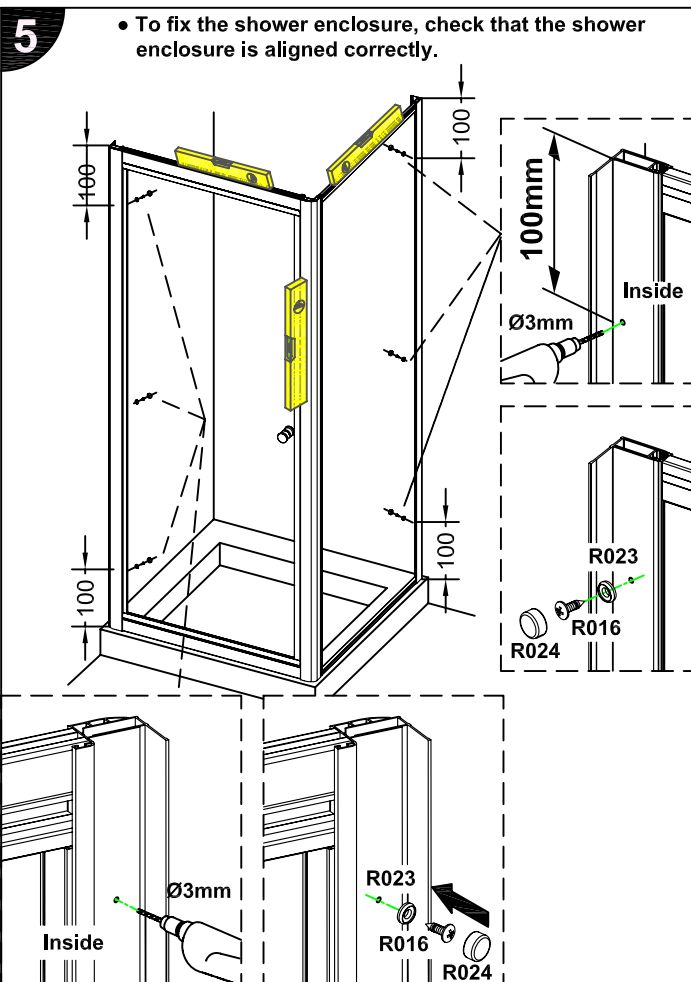
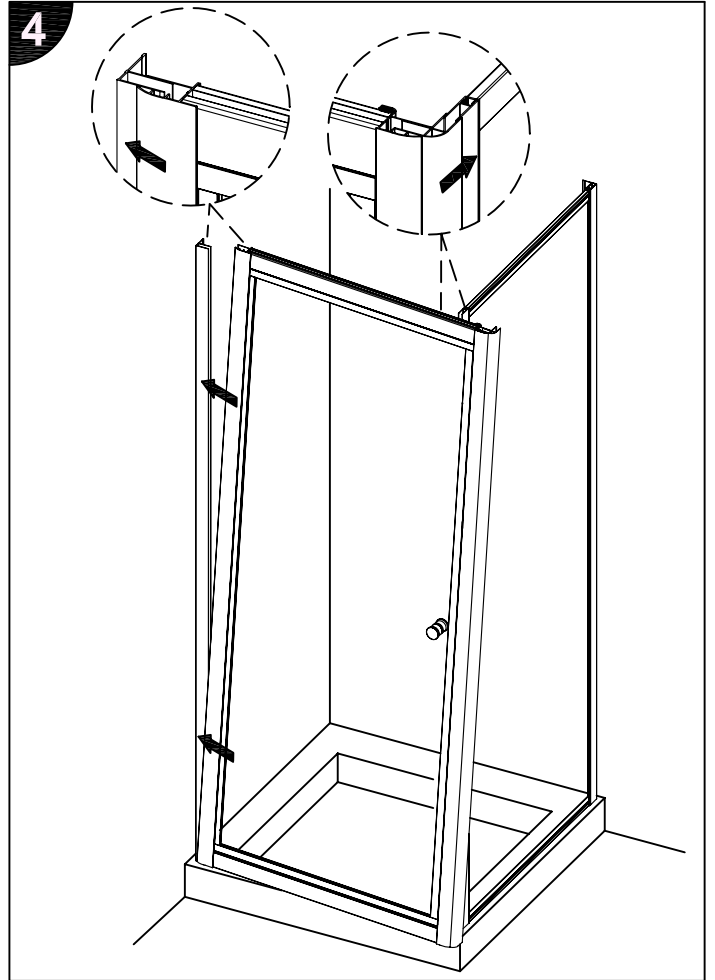
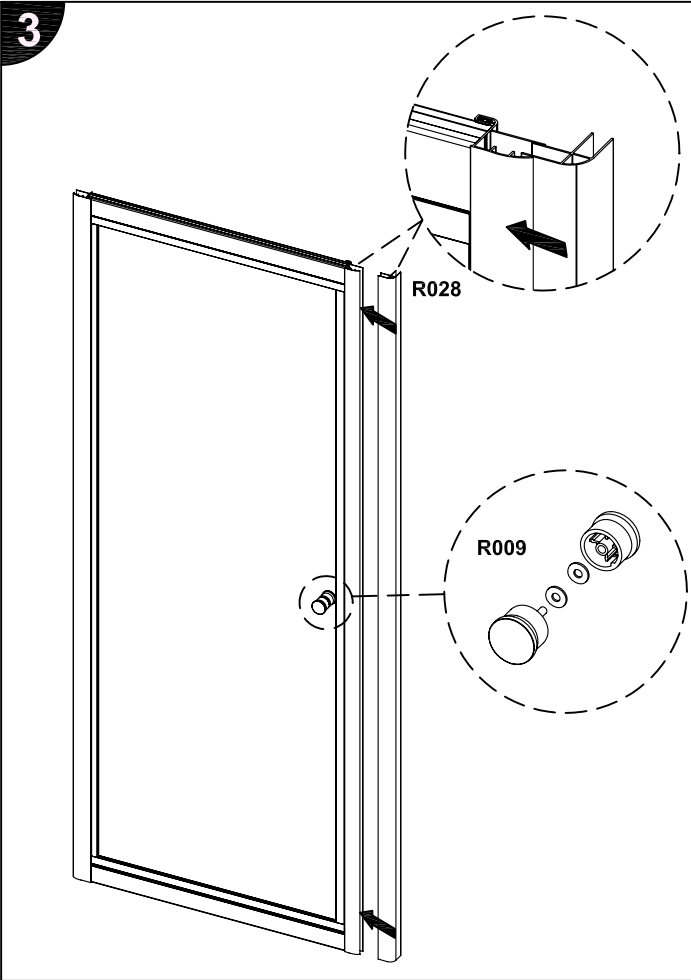
ADJUSTMENT RANGE	
PRODUCT	C (mm)
1700 Slider Door	1667~1707

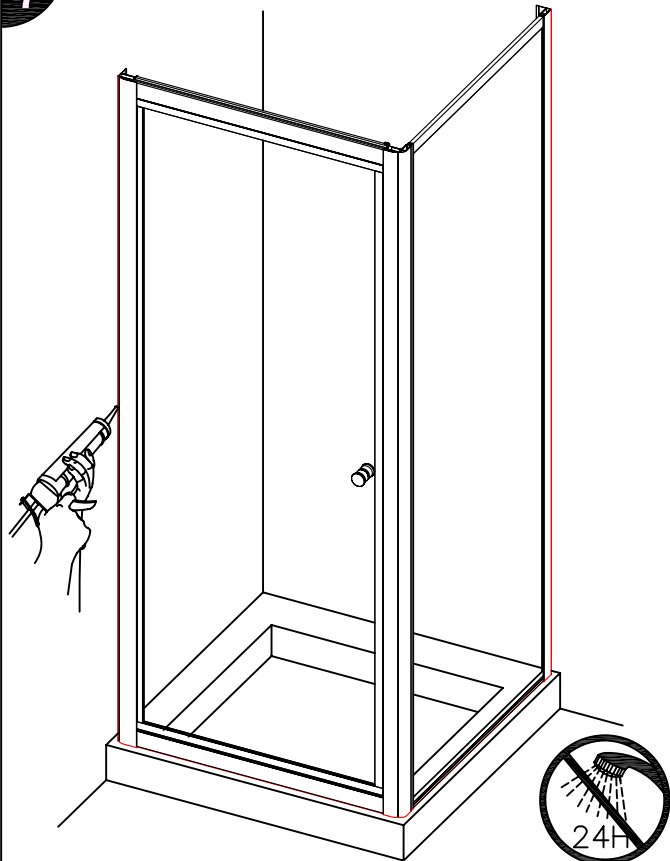


The product could be installed on the tray or the floor directly to form an enclosure dimensioned as the list.

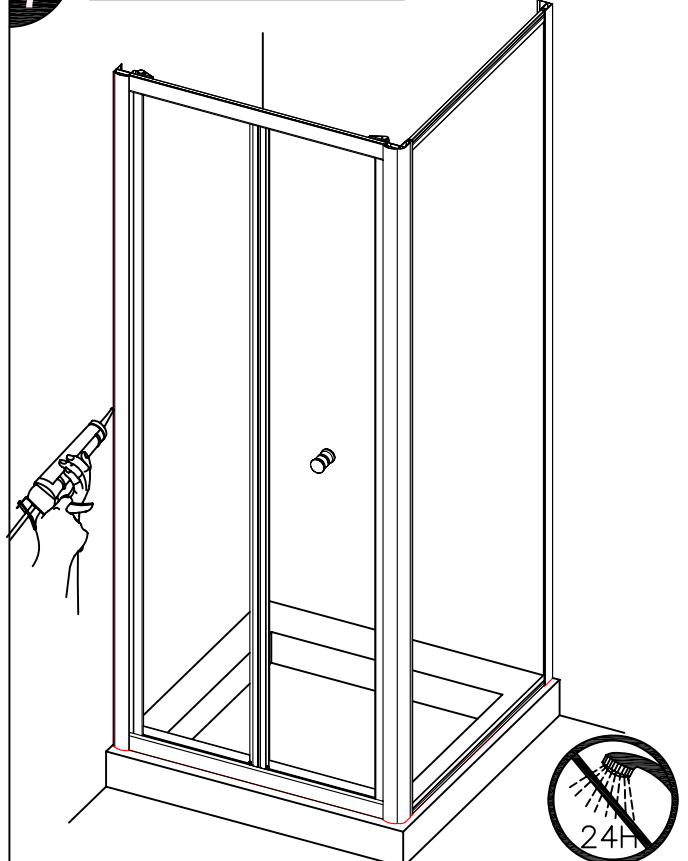
ADJUSTMENT RANGE	
PRODUCT	D (mm)
700 Side panel	660~690
760 Side panel	720~750
800 side panel	760~790





7 Pivot door + side panel


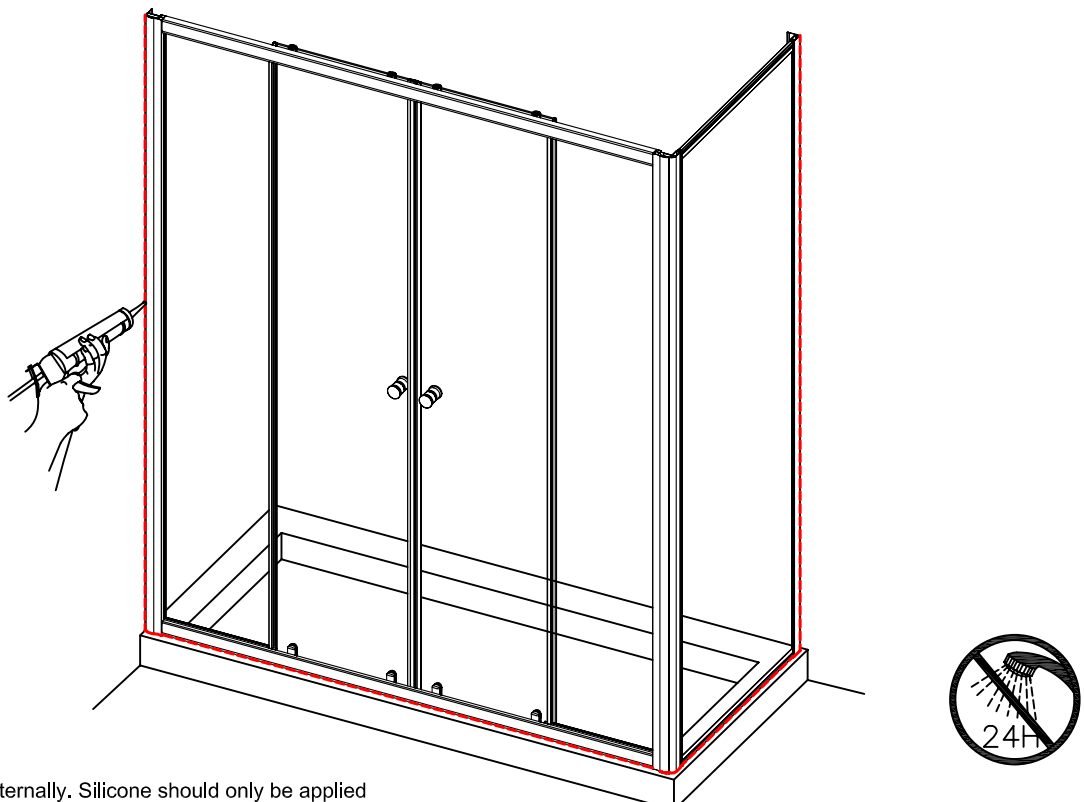
The frame drains internally. Silicone should only be applied on the outside and not to the inside of the frame.

7 Infold door + side panel


The frame drains internally. Silicone should only be applied on the outside and not to the inside of the frame.

7 Slider door + side panel

This instruction relates to the combination of the slider door with a side panel, and should be used in conjunction with the assembly instructions of the slider door. Please review carefully both instructions before you begin assembly, and follow the steps accordingly.



The frame drains internally. Silicone should only be applied on the outside and not to the inside of the frame.