

This product should only be fitted by a qualified plumber to NVQ (National Vocational Qualification) or SNVQ (Scottish National Vocational Qualification) Level 3. Should the installation be completed by a non-qualified person then the guarantee may be considered invalid.

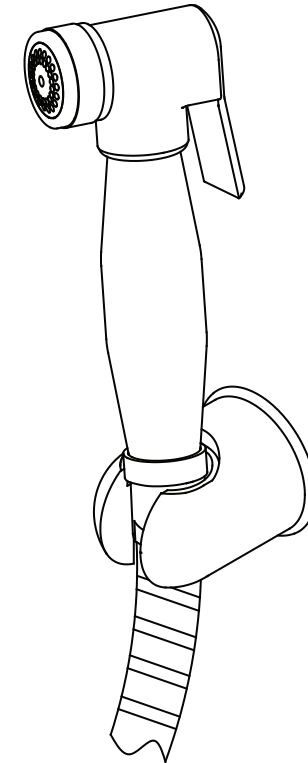
For a claim made under our warranty written certification of your installers credentials can be required. For further information or to find a qualified installer in your area please visit the Institute of Plumbers website - www.iphe.org.uk

THE QUALIFICATIONS

At present, to be a plumber you need to follow the National Vocational Qualification (NVQ) route (Scottish National Vocational Qualification - SNVQ - in Scotland). These qualifications are made up of theory and practical work in the classroom/purpose built training facility and work based experience with a working plumber. Colleges should help students find a work placement, although many students organise it themselves.

The S/NVQ qualification works in levels. All recently qualified plumbers should hold S/NVQ Level 2 as basic with Level 3 as the preferred level. Level 2 will give you the foundation you need for a career in plumbing and teach you domestic plumbing to a satisfactory level. Level 3 is more comprehensive and deals with domestic, commercial and industrial plumbing along with aspects such as gas - if you want to one day set up your own business, this is the level to reach. The Institute of Plumbing and Heating Engineering, and the industry as a whole recommends that all plumbers reach a minimum of Level 3.

Reaching Level 3 has other advantages. The Institute runs a Master Plumber Certificate, which only those attaining Level 3 or equivalent can reach as long as they have the relevant experience as well. Those with S/NVQ Level 3 can (once in membership with the Institute for five years as a Member MIPHE) gain Engineering Technician EngTech status with the Engineering Council (UK).



INSTALLATION INSTRUCTIONS

For any further information please contact
Crosswater on: **0845 873 8840**

Or visit our web-site at www.crosswater.co.uk

The manufacturer reserves the right to make technical
modifications without prior notice.

INTRODUCTION

Please read these instructions carefully and keep in a safe place for future reference.

General Installation Requirements

The installation must comply with regulations of the Local Water Authority as contained in their bylaws.

All of the douches in this range are single feed the hot and cold water needs to be mixed in a thermo valve.

It is very important that all pipework is flushed thoroughly after installation to avoid damage.

Minimum/Maximum working pressure

The douches are suitable for high and low pressure.

To ensure that it works adequately under low pressure, the cold water storage tank should be at least 1 meter above the highest installed position. The maximum suggested pressure at the handset is 2 bar.

For installations where the pressure exceeds this a pressure reducing valve should be used.

Approvals

All products are manufactured using materials tested and approved under the Water Bylaws Scheme and comply with requirements of British Standard 5412: 1996 where applicable.

WARNING

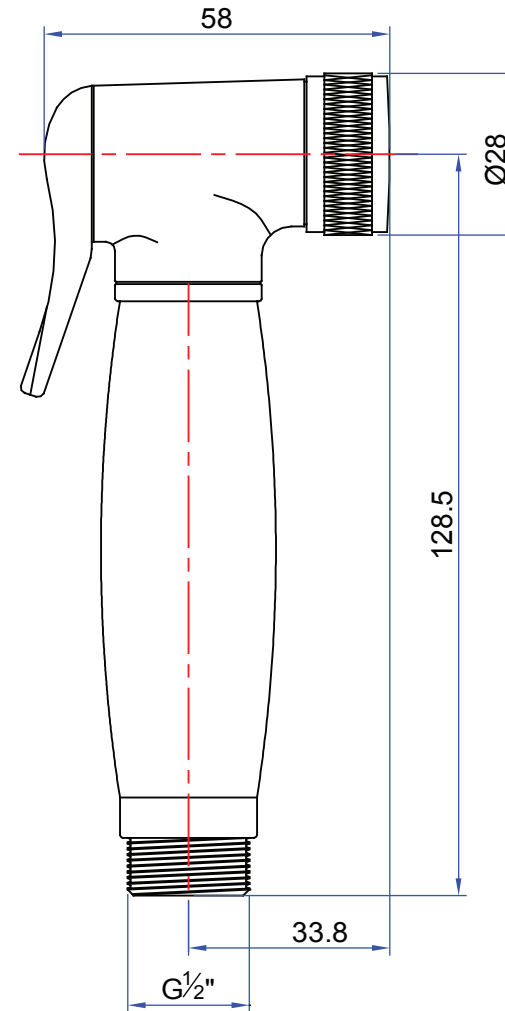
Before installing the douche it is essential that you thoroughly flush through the supply pipes in order to remove any remaining swarf, solder or other impurities.

Failure to carry out this simple procedure could cause problems or damage to the workings.

These hints have been prepared for your guidance, you must exercise due care at all times.

We do not accept responsibility for any problems that may occur through incorrect installation.

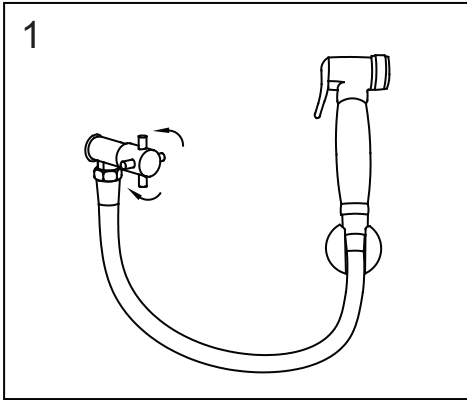
DIMENSIONS



NOTE: ALL DIMENSIONS IN MILLIMETRES

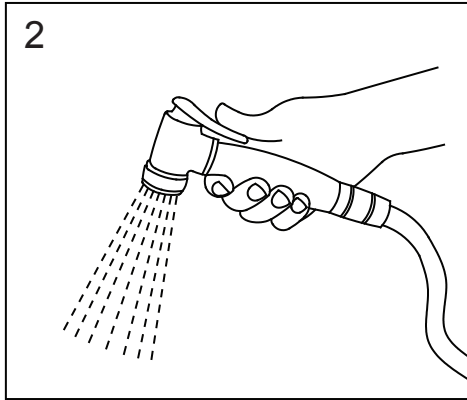
CORRECT USE

1



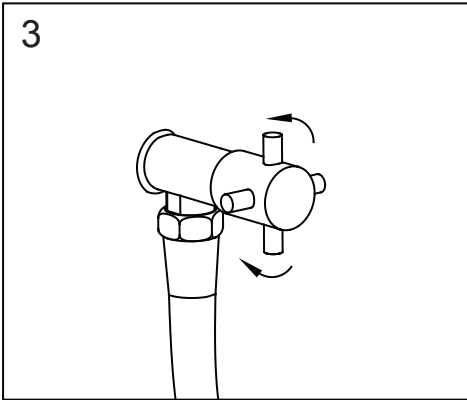
Open the tap.

2



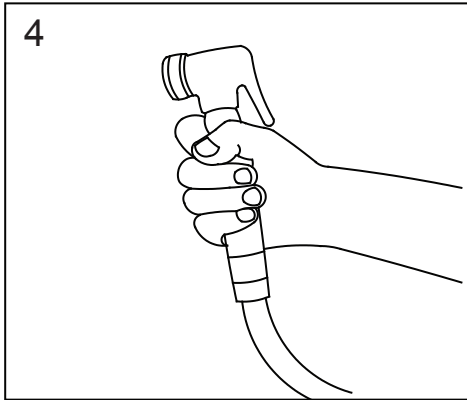
The handshower operates by simply and lightly pressing on the lever.

3



It is important to always close the tap once you have finished using the handshower.

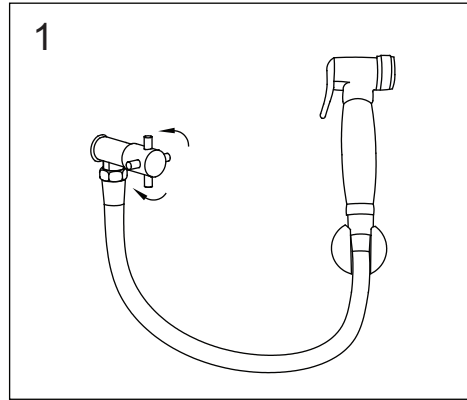
4



And then hang it again onto its bracket.

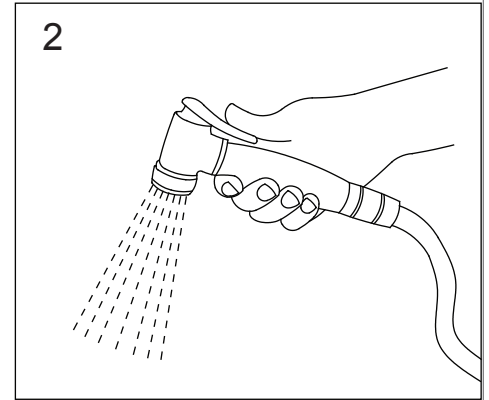
INCORRECT USE

1



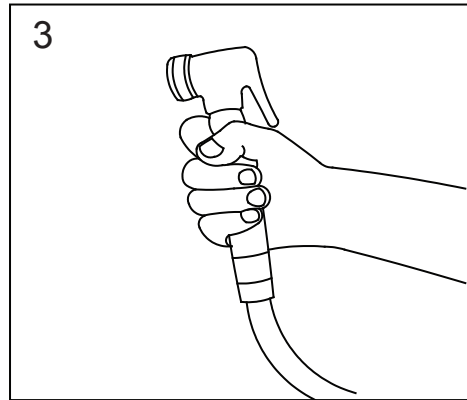
Open the tap.

2



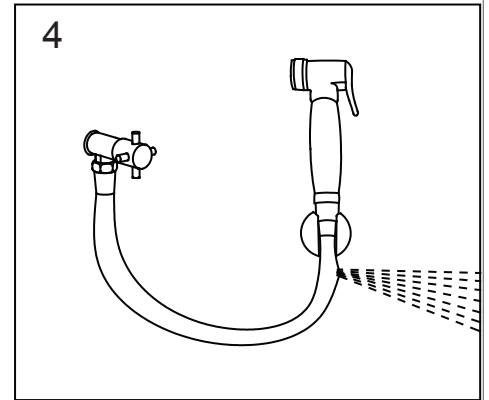
The handshower operates by simply and lightly pressing on the lever.

3



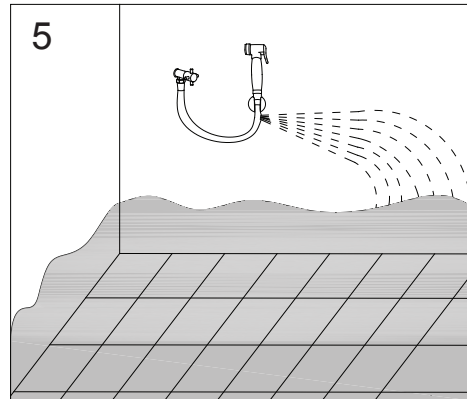
It is incorrect handling the handspray without priour having turned the tap off.

4



Result : The hose could burst...

5



...Causing damages in your bathroom.

IMPORTANT NOTICE

Please Read Carefully Before Use