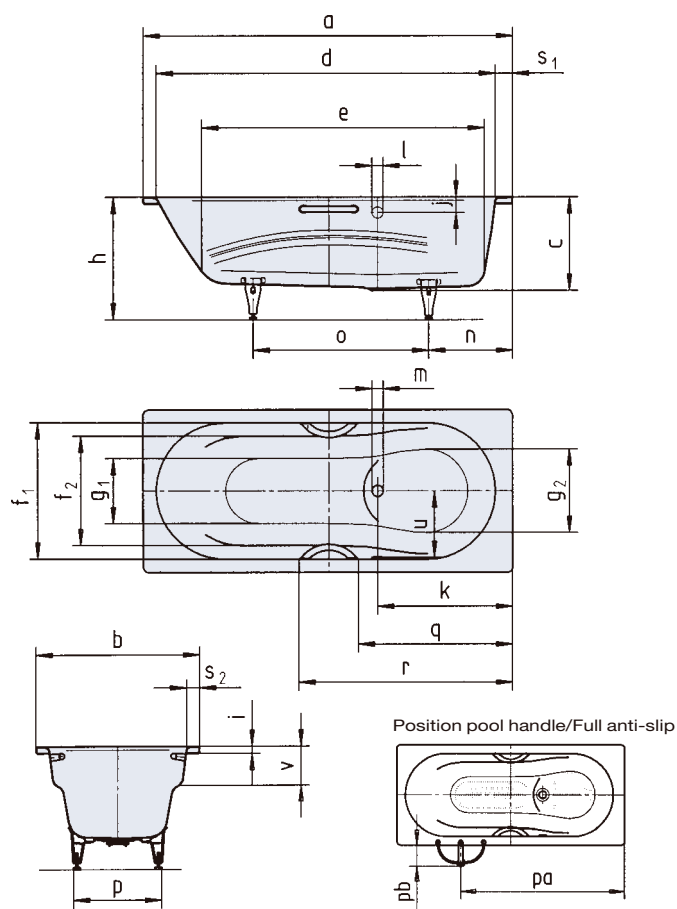


tap holes are at waste end in the centre

Vaioset/Vaiosetstar



Technical specifications*:

Model no.		956 / 957	954 / 955
External length	a	1600	1700 mm
External width	b	700	750 mm
Depth	c	430	430 mm
Internal length (top)	d	1460	1560 mm
Internal length (bottom)	e	1200	1300 mm
Internal width (top)	f ₁ ; f ₂	580; 470	630; 505 mm
Internal width (bottom)	g ₁ ; g ₂	275; 330	300; 385 mm
Height with feet	h	560-580	560-580 mm
Height of rim	i	32	32 mm
Distance top edge to centre of overflow outlet	j	70	70 mm
Distance tub edge (foot) to centre of drain outlet	k	575	625 mm
Diameter of overflow outlet	l	52	52 mm
Diameter of drain outlet	m	52	52 mm
Distance foot end of tub edge to centre of base	n	435	435 mm
Distance between the feet	o	625	725 mm
Max. width of feet	p	425	488 mm
Distance tub edge to drilled hole in the middle	pa	1150	1250 mm
Max. overhang	pb	146	146 mm
Distance tub edge (foot end) to where handle starts (Mod. 955; 957)	q	670	720 mm
Distance tub edge (foot end) to where handle ends (Mod. 955; 957)	r	930	980 mm
Width of rim (foot end; lengthwise)	s ₁ ; s ₂	80; 60	80; 60 mm
Distance between centre holes	u	280	310 mm
Armrest depth	v	175	175 mm
Water volume** in litres		96	134
Anti-slip		Ø 288	Ø 288 mm
Full anti-slip		special measure, see illustration	special measure, see illustration

* Subject to technical alterations and tolerances.

** 70 litres displacement on average.