

Compton & Hindon Radiator Installation Instructions

Product Codes: 43100001620, 43100001640

INSTALLATION INSTRUCTIONS

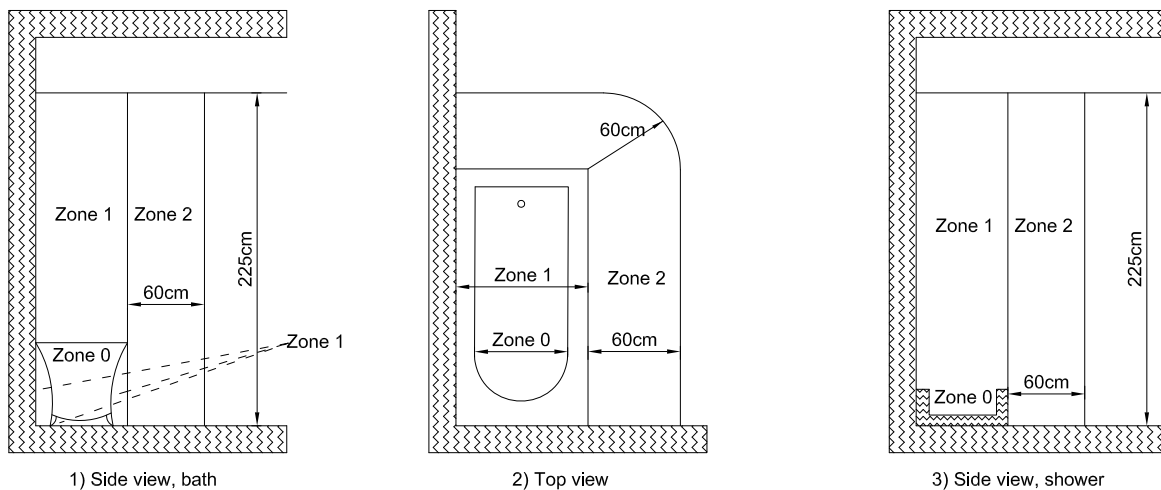
This radiator can be connected to a central heating system.

PLEASE NOTE: THE COMPTON AND HINDON RADIATORS ARE MADE FROM STEEL AND WHEN CONNECTED TO CENTRAL HEATING SYSTEMS SHOULD ONLY BE USED ON CLOSED SYSTEMS CONTAINING A RUST INHIBITOR.

- review instructions carefully before installation
- installation should be completed by a suitably competent person
- please dispose of packaging in a responsible manner

POSITION:

The radiator can be installed in the Zone 2 area (see Fig below).



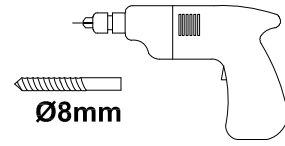
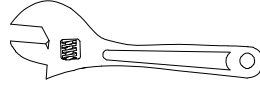
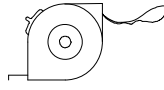
PLEASE NOTE:

- a. This product should only be used at a pressure of less than 10bar, and temperature of less than 100°C.
- b. It should be filled with a mixture of water and rust inhibitor.
- c. If the operating temperature is above 48°C a sign warning of the high temperature should be positioned nearby.
- d. If it is not used for a period during which the room temperature drops below 5°C please drain to prevent rusting.
- e. Check fittings regularly to ensure safety and to maximise the life of the radiator.

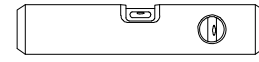
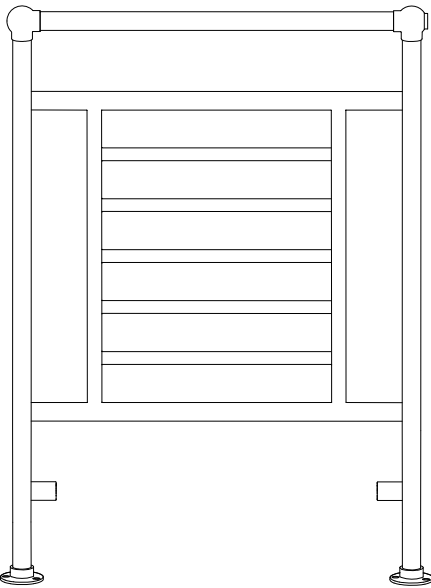

AFTER CARE ...

This radiator is made from chrome plated steel, and should be cleaned with warm water and a mild detergent, and should not be cleaned with corrosive or scouring agents.

Please see our website www.bathstore.com for any assistance.

TOOLS REQUIRED:



Ø8mm


PARTS SUPPLIED:

 12x
 ST4.8*45mm

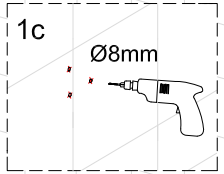
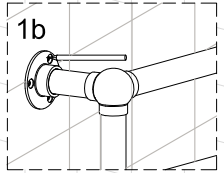
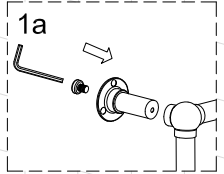
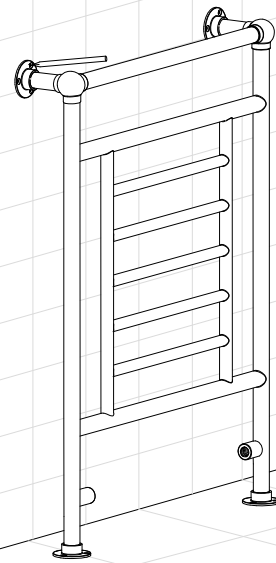
 12x

 1x

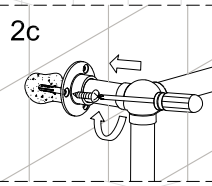
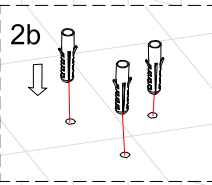
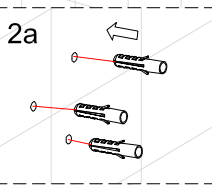
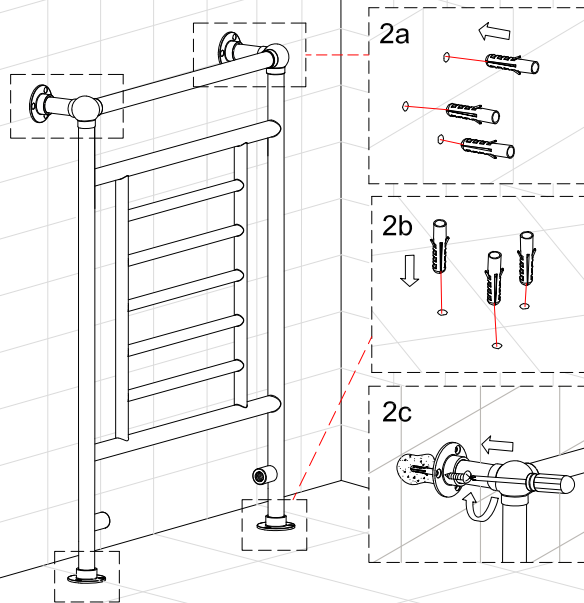
 2x

 2x

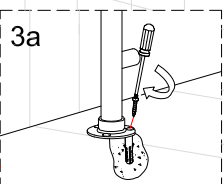
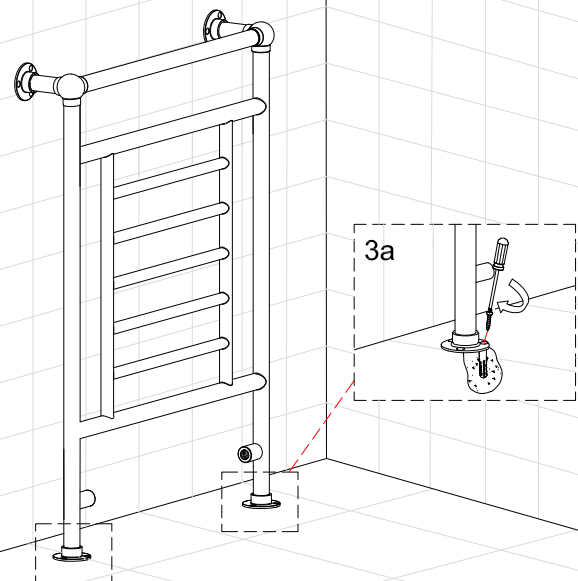
 1x

1.


• Stand in intended position.

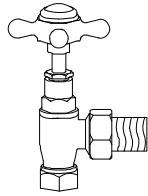
2.


• Use fixing methods that are suitable for the wall and floor.

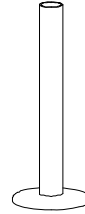
3.


Heated with the central heating system

Additional Parts Required:

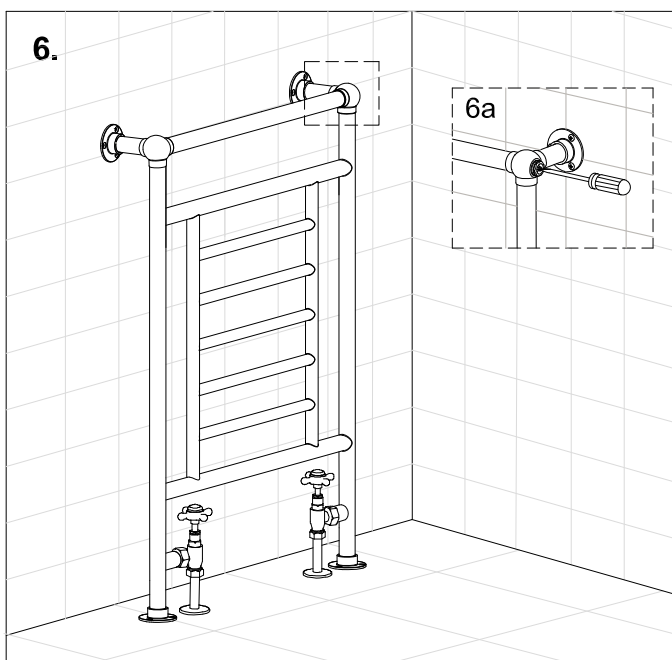
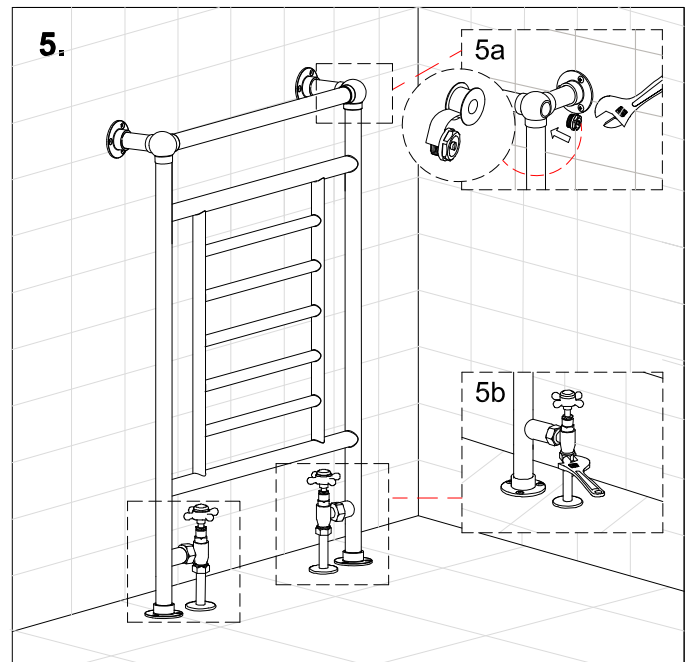
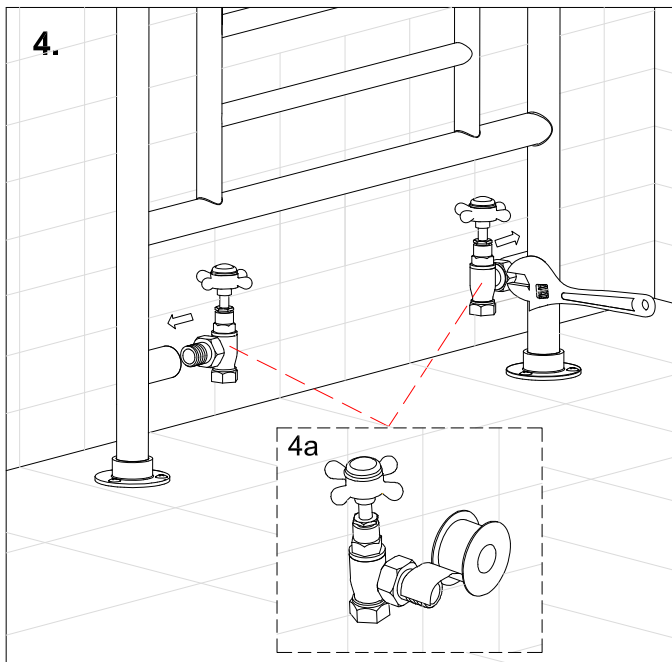


2x



2x

Valves and connecting pipes are not included.



After installation ...

- a. Open valves to fill the radiator.
- b. Unscrew the air vent with a screw driver to allow air to escape.
- c. Close the air vent when water starts coming out.
- d. Check all connections for leaks.