

# Compton & Hindon Radiator Installation Instructions

Product Codes: 43100001620, 43100001640

## INSTALLATION INSTRUCTIONS

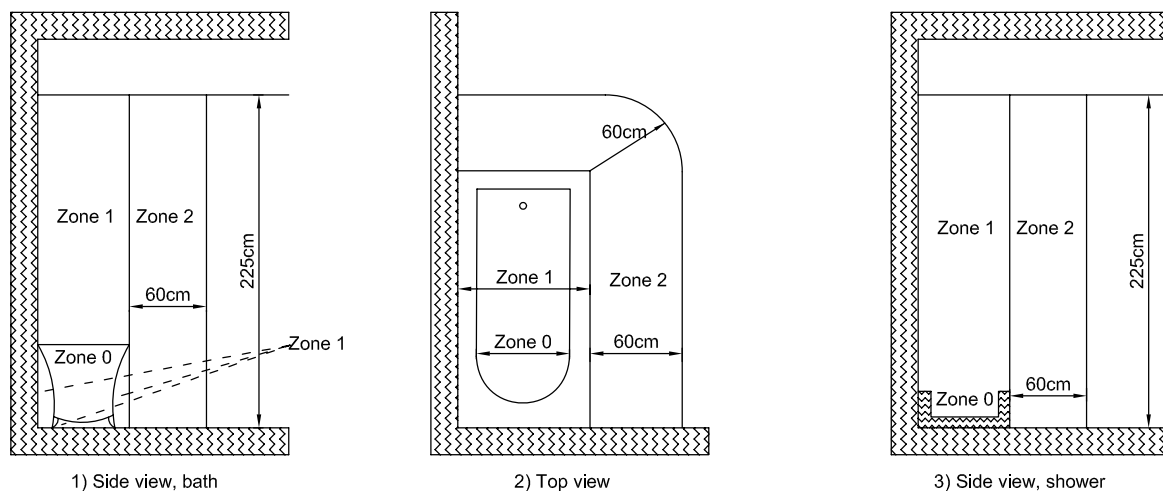
This radiator can be installed in three different heating configurations; connected to a central heating system, fitted with a summer heating kit as an electric radiator, or as a dual source connected to a central heating system and with a summer heating kit fitted.

PLEASE NOTE: THE COMPTON AND HINDON RADIATORS ARE MADE FROM STEEL AND WHEN CONNECTED TO CENTRAL HEATING SYSTEMS SHOULD ONLY BE USED ON CLOSED SYSTEMS CONTAINING A RUST INHIBITOR.

- review instructions carefully before installation
- installation should be completed by a suitably competent person
- please dispose of packaging in a responsible manner

## POSITION:

The radiator, if intended to be heated with the summer heating kit, can be installed in the Zone 2 area (see Fig below), but the electrical connection box must be outside the Zone 2 area.

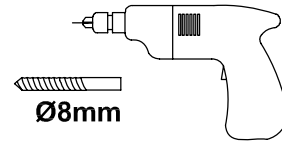
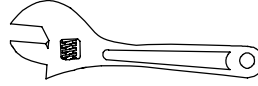
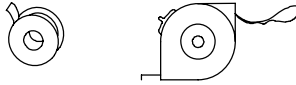
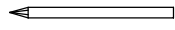


## PLEASE NOTE:

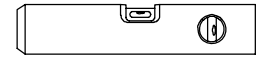
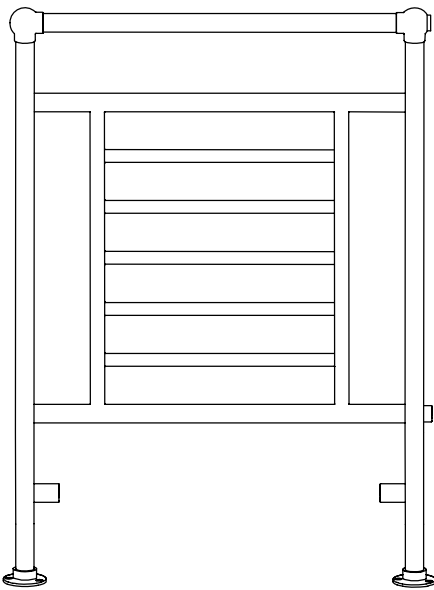

- This product should only be used at a pressure of less than 10bar, and temperature of less than 100°C.
- It should be filled with a mixture of water and rust inhibitor.
- If the operating temperature is above 48°C a sign warning of the high temperature should be positioned nearby.
- If it is not used for a period during which the room temperature drops below 5°C please drain to prevent rusting.
- Check fittings regularly to ensure safety and to maximise the life of the radiator.

## AFTER CARE ...

This radiator is made from chrome plated steel, and should be cleaned with warm water and a mild detergent, and should not be cleaned with corrosive or scouring agents.

**TOOLS REQUIRED:**


Ø8mm


**PARTS SUPPLIED:**

 12x  
 ST4.8\*45mm

 12x


 1x

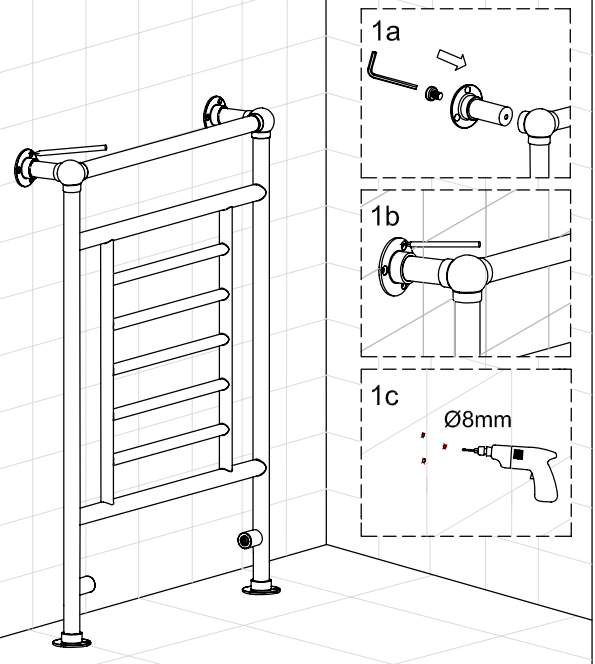
 2x

 2x

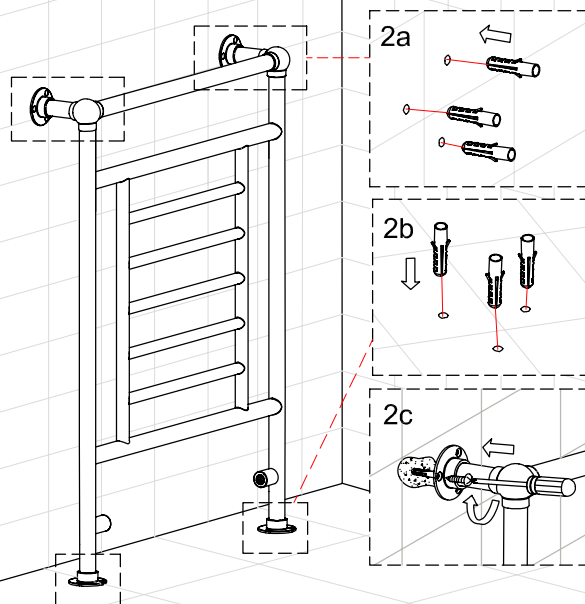
 2x

 2x

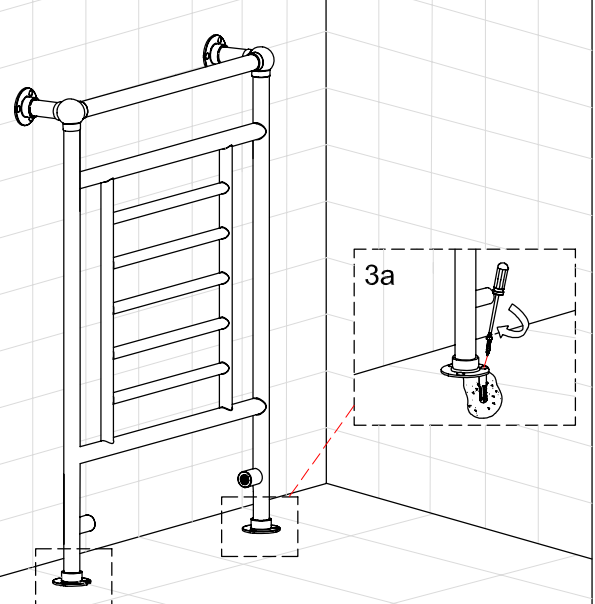
 1x

**1.**


• Stand in intended position.

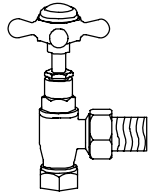
**2.**


• Use fixing methods that are suitable for the wall and floor.

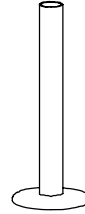
**3.**


## Heated with the central heating system

### Additional Parts Required:

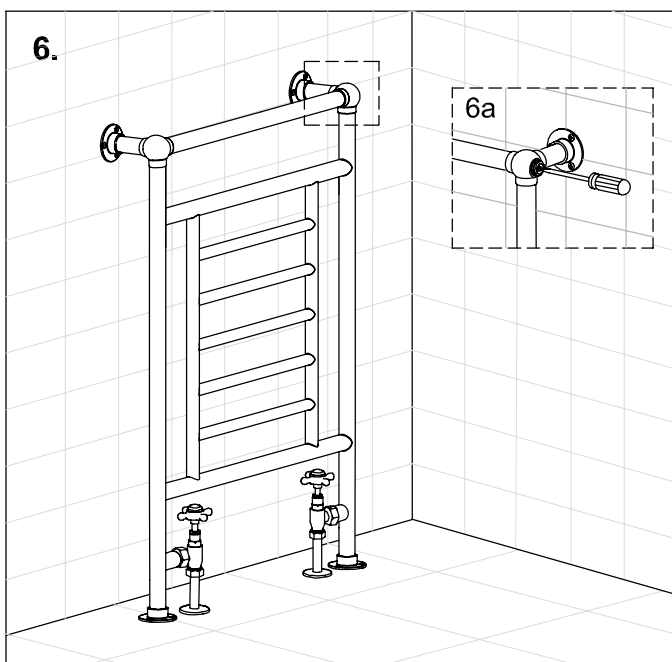
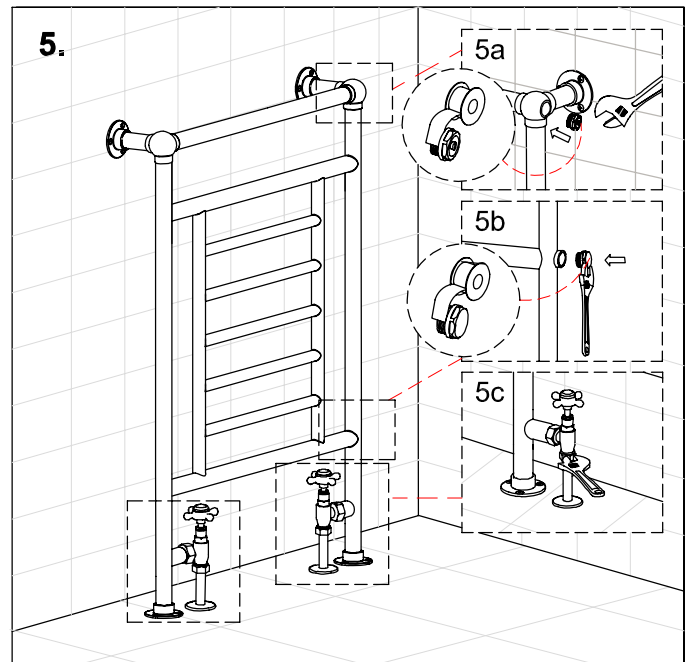
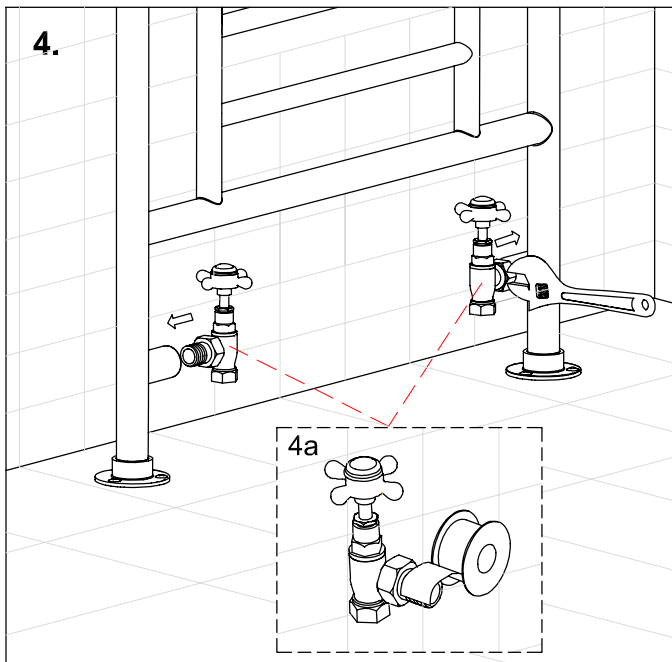


2x



2x

Valves and connecting pipes are not included.

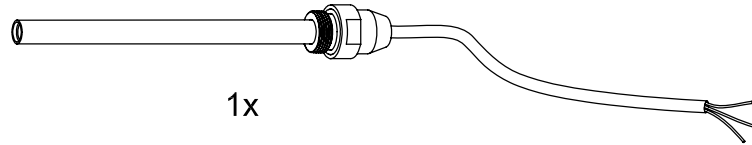


### After installation ...

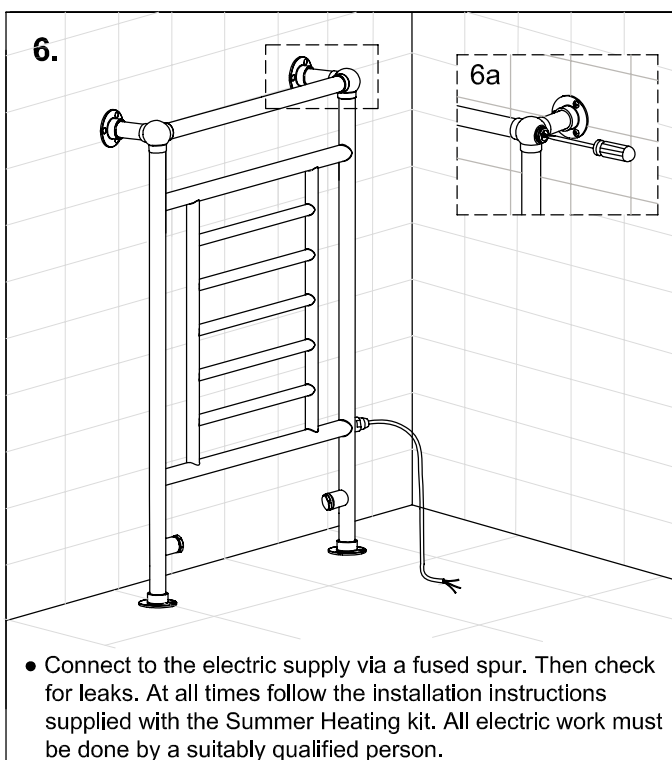
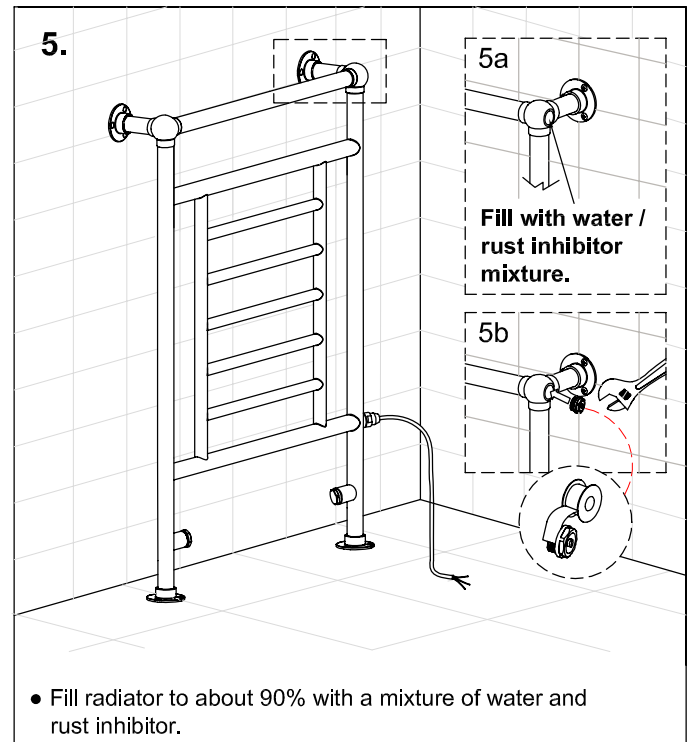
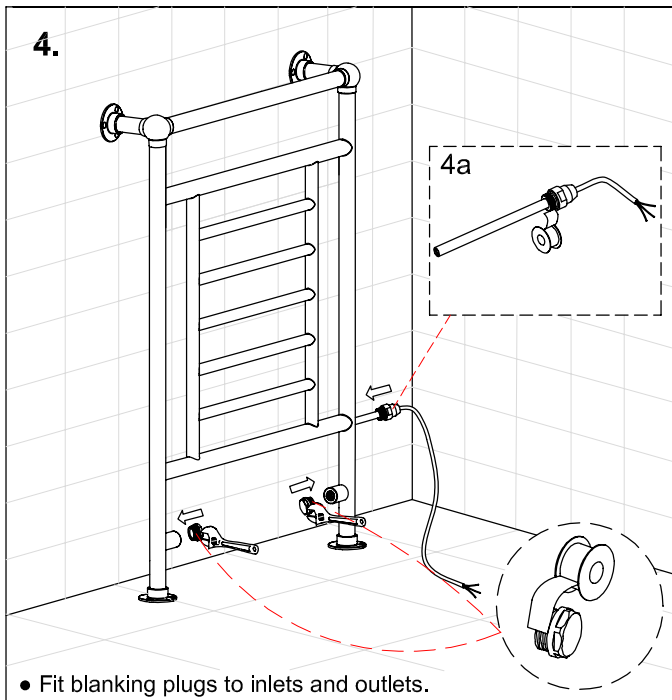
- a. Open valves to fill the radiator.
- b. Unscrew the air vent with a screw driver to allow air to escape.
- c. Close the air vent when water starts coming out.
- d. Check all connections for leaks.

## Heated with the summer heating kit only

### Additional Parts Required:



Only use a Bathstore heating kit with this radiator, other models may not be suitable.



### After installation ...

- Open the air vent and turn on the heater. The liquid will expand as it heats up, and some may overflow. When the radiator has reached its operating temperature close the air vent. Check again for any leaks. The radiator is then ready for use.

and that the

electric element is turned off.

**b. For best results when heating with the summer heating kit:**

- i. Turn off the central heating inlet valve.**
- ii. Turn on the heating element.**
- iii. When the radiator has reached its operating temperature turn off the outlet valve.**
- iv. Open the air vent to release excess pressure, then close it.**
- v. Remember to open the inlet and outlet valves and bleed air out of the radiator when returning to central heating mode.**

**c. For easy operation with the summer heating kit:**

- i. leave the inlet and outlet valves open.**
- ii. Turn on the heating element.**
- iii. Open the air vent to release excess pressure, then close it.**
- iv. Remember to bleed air out of the radiator when returning to central heating mode.**