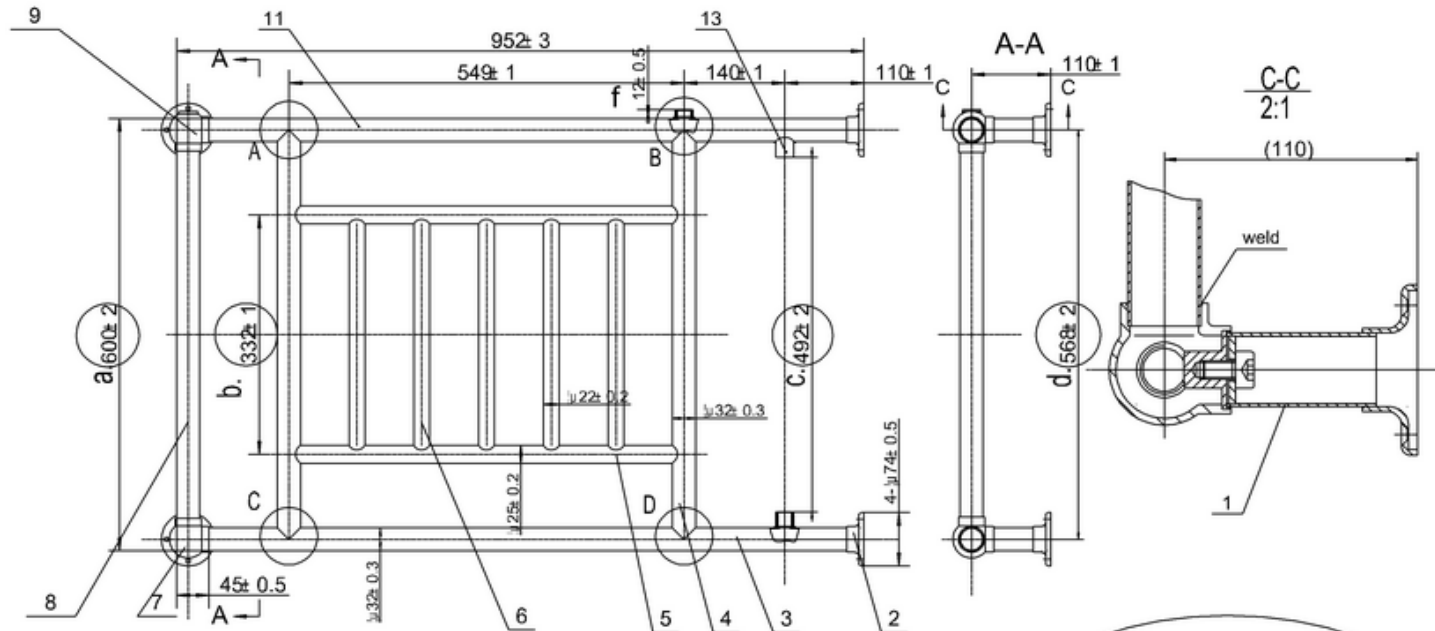


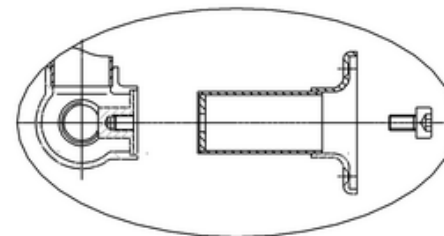


bathstore

43100001620 - BERRINGTON COMPTON BALL JOINTED TOWL RAIL CHROME W600 X H952 STEEL



| | | | | | | |
|----|----------------|--------|---|---------|---|---------|
| 15 | RJ51044141S | G1/2"Ø | 1 | Q195 | | |
| 14 | RP1101 | Ø1/2"Ø | 2 | HPb59-1 | | |
| 13 | RJ31104141S | G1/2"Ø | 2 | Q195 | | |
| 12 | GB 70-85-M8*10 | Ø8 | 2 | Q235-A | | |
| 11 | RJ51040641S | Ø4 | 1 | SPHC | | Ø32*906 |
| 10 | RP1001 | Ø4 | 1 | HPb59-1 | | Ø4 |
| 9 | RJ51048341S | Ø1/2"Ø | 1 | SPHC | | Ø22*325 |
| 8 | RJ51040541S | Ø4 | 1 | SPHC | | Ø25*528 |
| 7 | RJ51048241S | Ø1/2"Ø | 1 | SPHC | | Ø25*528 |
| 6 | RJ51040441S | Ø3 | 5 | SPHC | | Ø32*567 |
| 5 | RJ51040341S | Ø2 | 2 | SPHC | | Ø32*906 |
| 4 | RJ51040241S | Ø1 | 2 | SPHC | | |
| 3 | RJ51040141S | Ø1/2"Ø | 1 | SPHC | | |
| 2 | RJ31105241S | Ø1/2"Ø | 2 | SPHC | | |
| 1 | RJ31105141T | Ø1/2"Ø | 2 | SPHC | | |
| B0 | Ø | Ø | Ø | Ø | Ø | ±, xφ |



C-C assembly anatomical chart