

## Purbeck & Portland & Chilmark Radiator Installation Instructions

Product Codes: 43100001600, 43100001610, 43100001250

### INSTALLATION INSTRUCTIONS

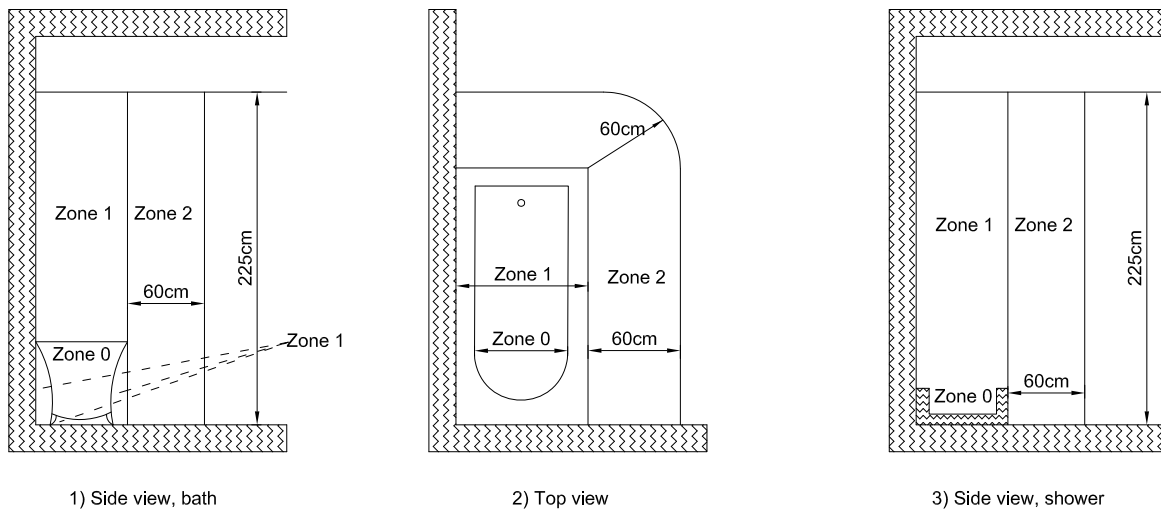
This radiator can be connected to a central heating system.

PLEASE NOTE: THE PURBECK, PORTLAND AND CHILMARK RADIATORS ARE MADE FROM STEEL AND WHEN CONNECTED TO CENTRAL HEATING SYSTEMS SHOULD ONLY BE USED ON CLOSED SYSTEMS CONTAINING A RUST INHIBITOR.

- review instructions carefully before installation
- installation should be completed by a suitably competent person
- please dispose of packaging in a responsible manner

### POSITION:

The radiator can be installed in the Zone 2 area (see Fig below).



1) Side view, bath

2) Top view

3) Side view, shower

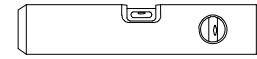
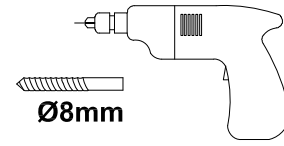
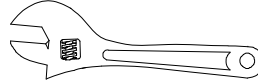
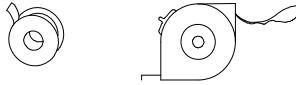
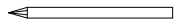
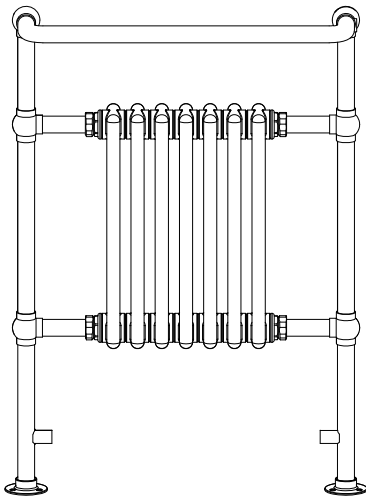

### PLEASE NOTE:

- a. This product should only be used at a pressure of less than 10bar, and temperature of less than 100°C.
- b. It should be filled with a mixture of water and rust inhibitor.
- c. If the operating temperature is above 48°C a sign warning of the high temperature should be positioned nearby.
- d. If it is not used for a period during which the room temperature drops below 5°C please drain to prevent rusting.
- e. Check fittings regularly to ensure safety and to maximise the life of the radiator.

### AFTER CARE ...

This radiator is made from chrome plated steel, and should be cleaned with warm water and a mild detergent, and should not be cleaned with corrosive or scouring agents.


Please see our website [www.bathstore.com](http://www.bathstore.com) for any assistance.

**TOOLS REQUIRED:**

**PARTS SUPPLIED:**

 12x  
ST4.8\*45mm

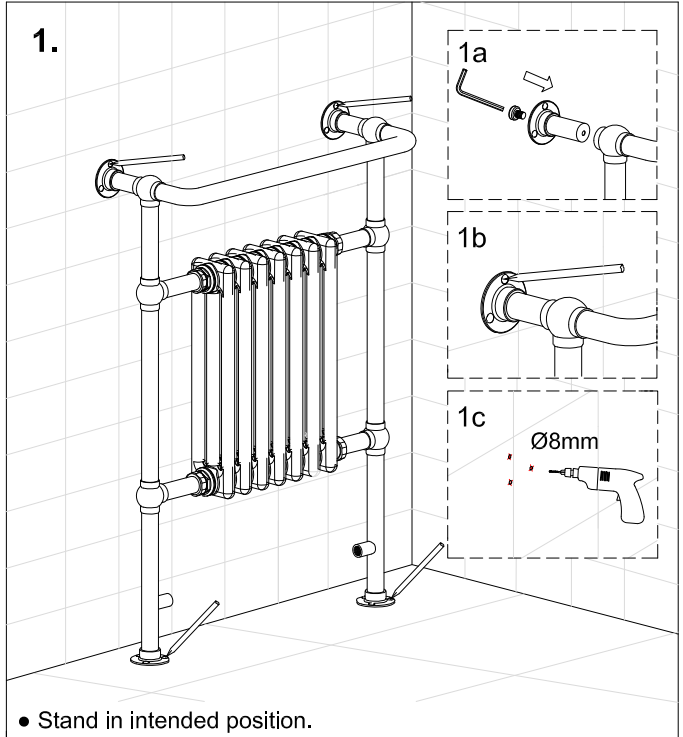
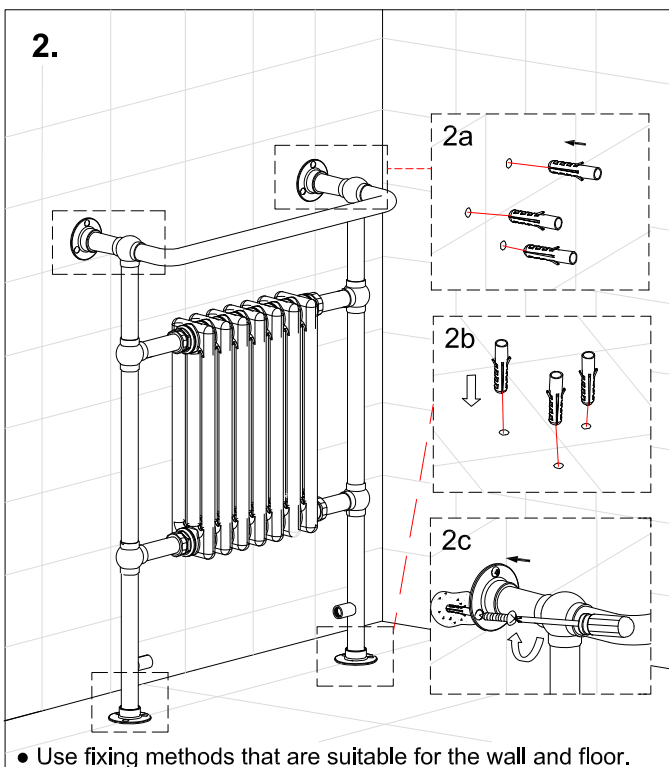
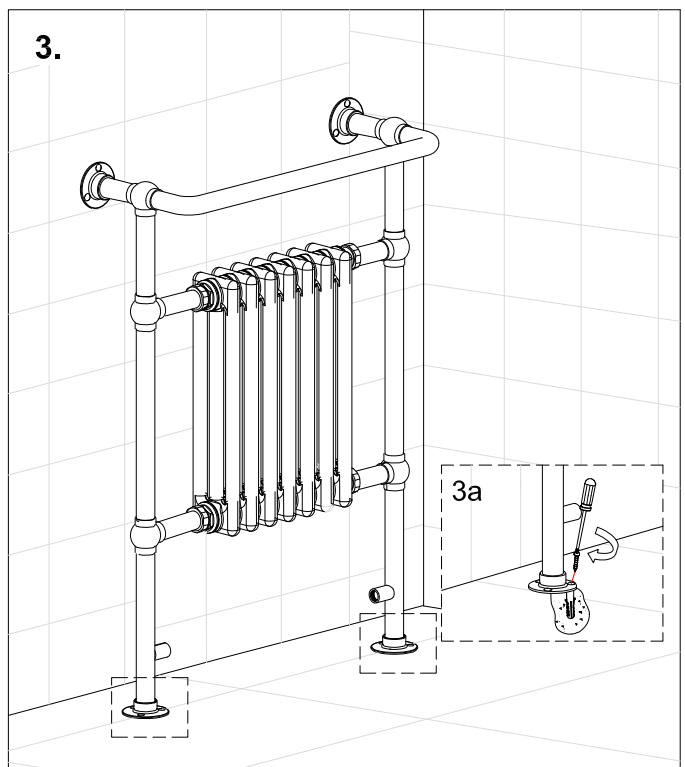
 12x

 1x

 2x

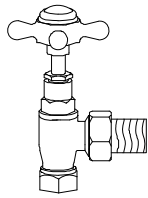
 2x

 1x

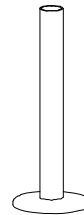
**1.**

**2.**

**3.**


## Heated with the central heating system

### Additional Parts Required:

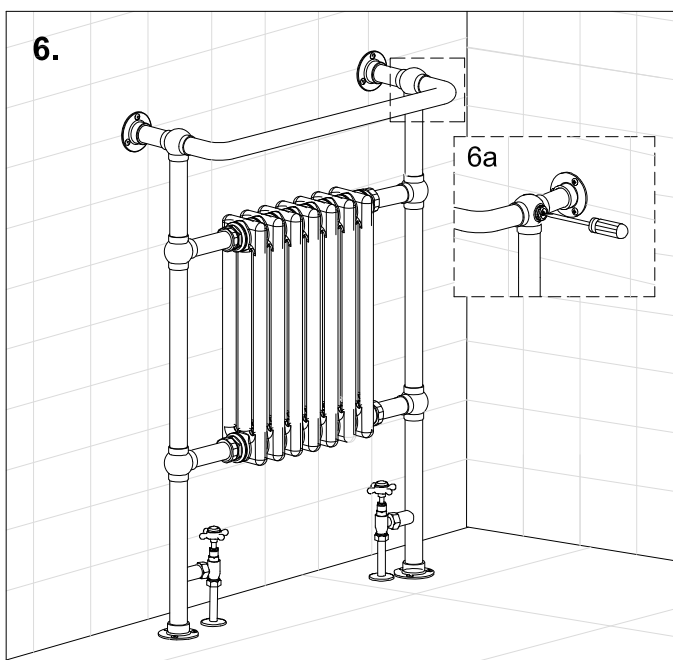
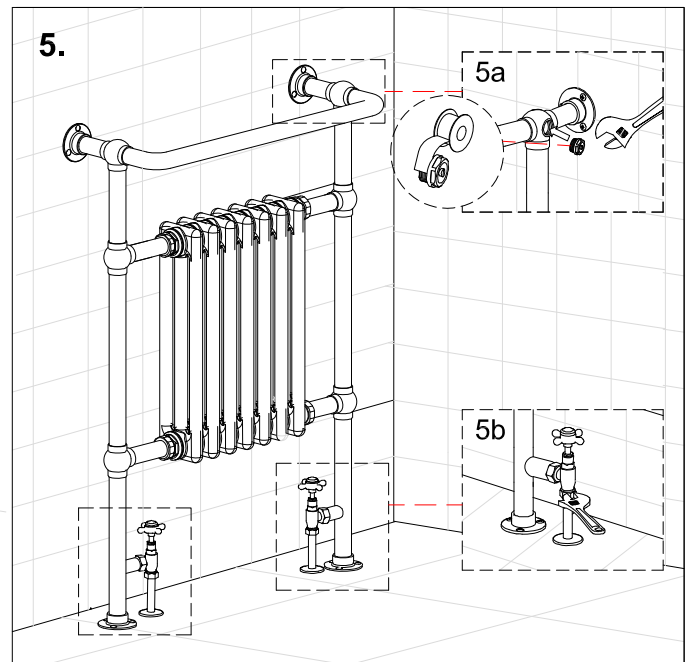
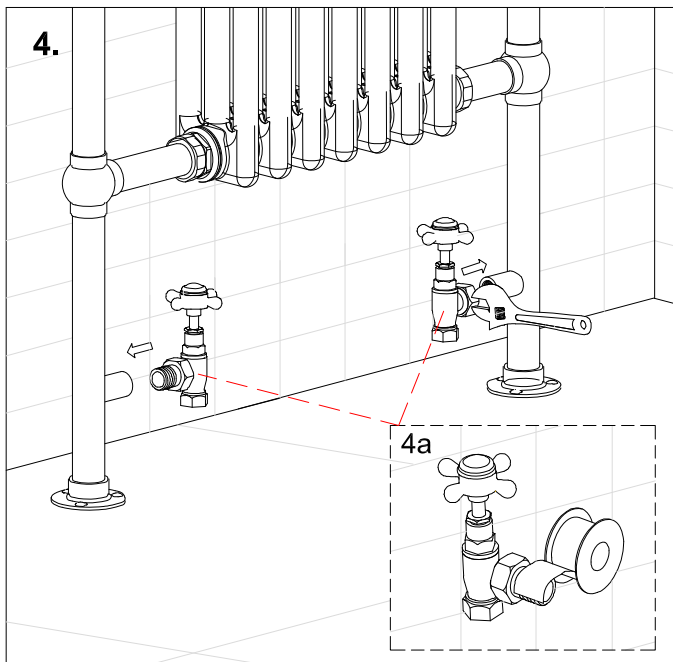


2x



2x

Valves and connecting pipes are not included.



### After installation ...

- a. Open valves to fill the radiator.
- b. Unscrew the air vent with a screw driver to allow air to escape.
- c. Close the air vent when water starts coming out.
- d. Check all connections for leaks.