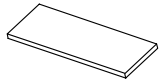


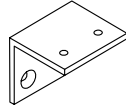
# MyRoom™ Poly Marble 900/1000 Worktop Instructions

41405004640  
41405004650

## Parts Supplied:



1x



3x



M4\*25mm

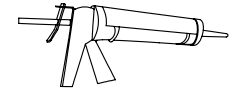
3x



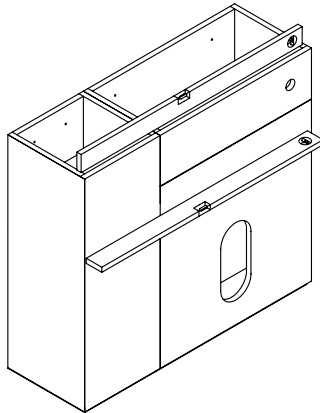
M4\*14mm

12x

## Tools Required:

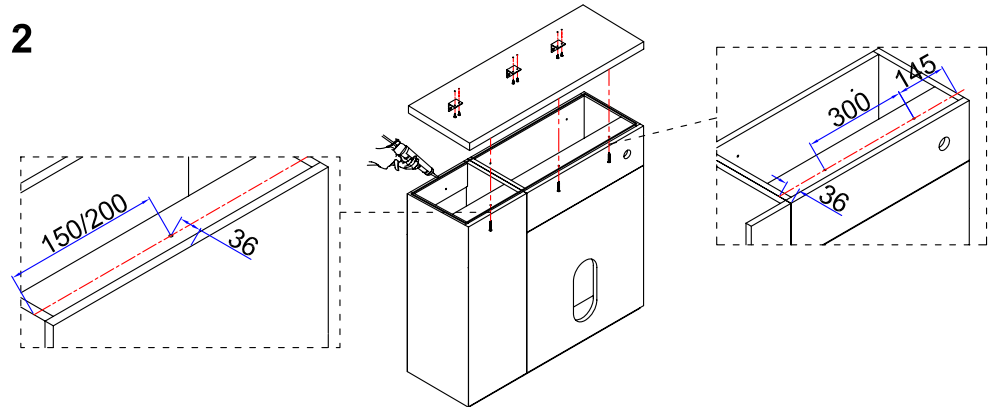


1



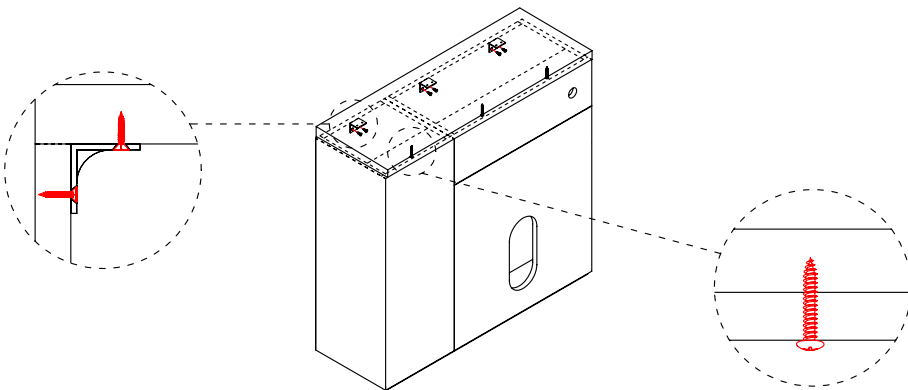
- Make sure that the unit is level, and flush.

2



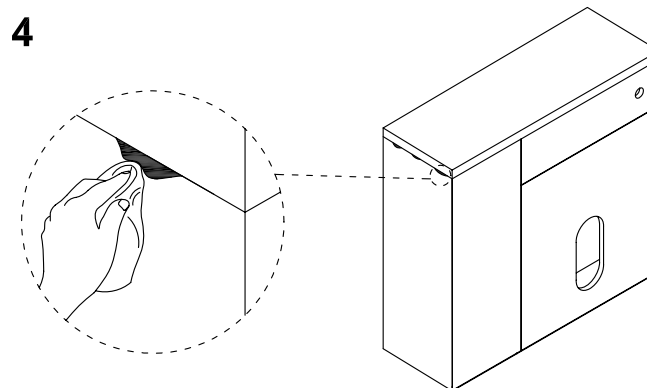
- Place silicon seal to top surfaces where worktop sits, and back edge of worktop to wall. Position the worktop on the cabinet and mark on the wooden blocks the locations for fixing the angle brackets.

3



- Use the brackets and fixing screws to secure the worktop as shown in the diagrams.

4



- The worktop should be cleaned using soft damp cloth with common detergent. Do not use any abrasive agents.