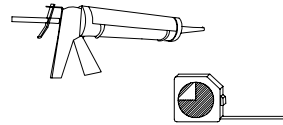
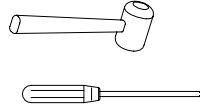
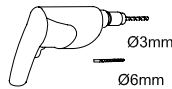
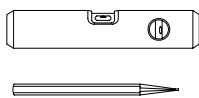


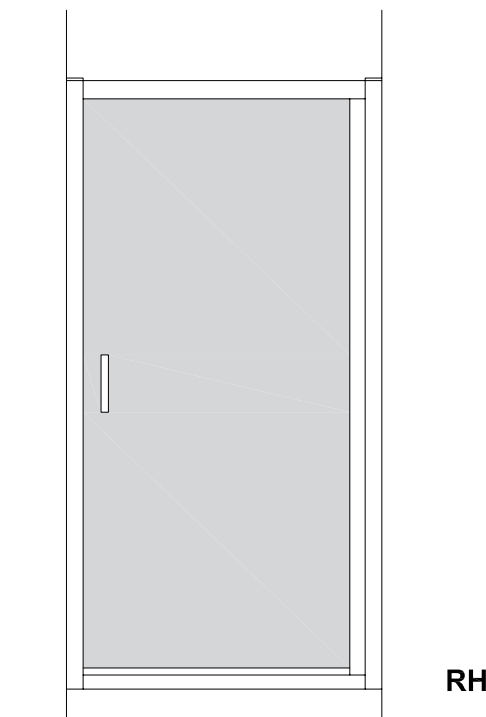
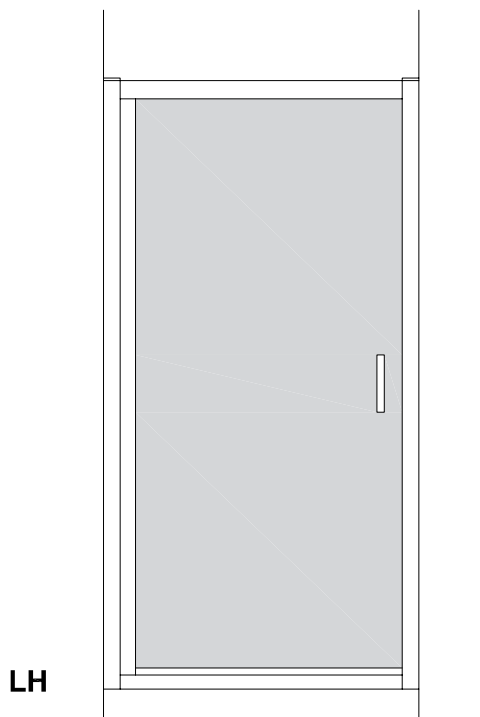
Benchmark Hinge Door Installation Instructions

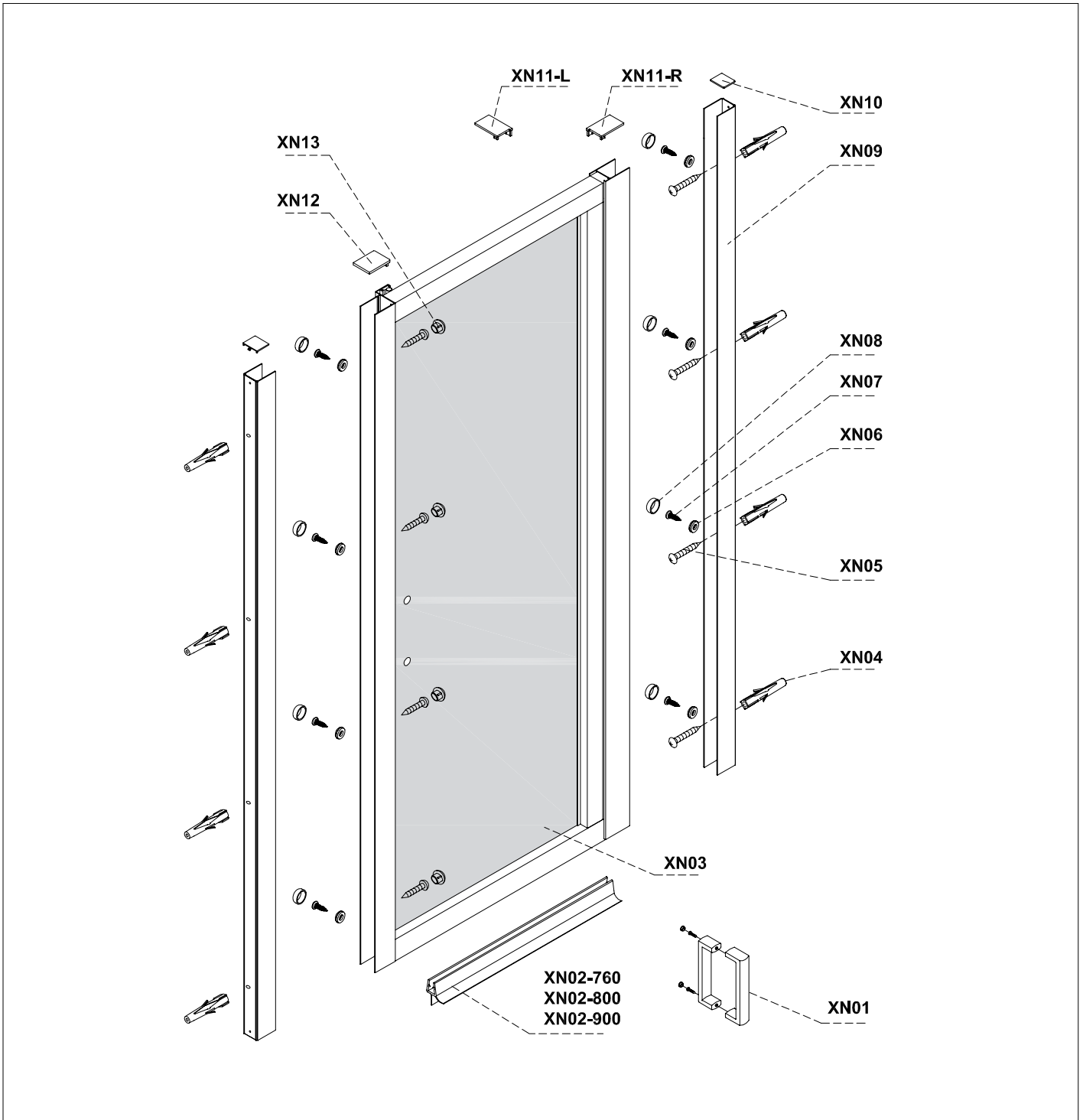
- Prior to installation check that all fittings have been supplied.
- The tray should be installed by a competent person. The tray should be level, the walls should be tiled down to the tray, and the horizontal joint between the tiles and tray must be sealed with silicone sealant to ensure water-tightness.
- Handle with care. Impacts can damage both the glass and the frame.
- Please check for any hidden pipes or cables before drilling holes in the wall.
- The success of the installation and operation is, of course, dependant on the squareness, alignment and construction of the walls to which the enclosure is fixed. If the walls are significantly out of true we recommend dry lining the walls to ensure they are both vertical and at 90 ° to each other.
- The enclosure is reversible: " door can be either left or right opening. "
In the remainder of this manual the illustrations will only show the right hand installation of the hinge door.
- The wall fixings supplied may not be suitable for your installation. You may need to source alternatives depending on the construction of the wall you are fixing to.

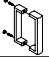



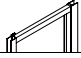


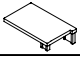

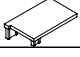




Tools Required:



SILICONE

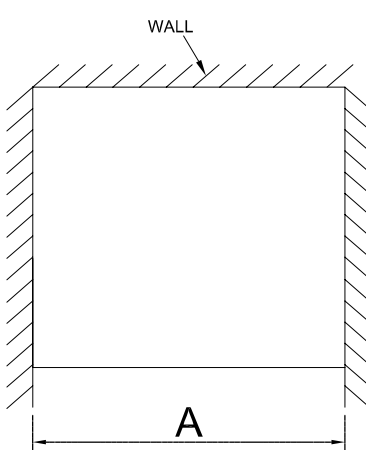




XN01		Handle	1x	XN08		Screw cap	8x
XN02		Waterproof strip	1x	XN09		Wall profile	2x
XN03		hinged door	1x	XN10		Wall profile cap	2x
XN04		Wall plug	8x	XN11-L		Door frame cap 1 - LH *	1x
XN05		ST4 * 50mm screw	8x	XN11-R		Door frame cap 1 - RH *	1x
XN06		Washer	8x	XN12		Door frame cap 2	1x
XN07		ST4 * 12mm screw	8x	XN13		Hole cap	4x

* The parts marked LH will be only suitable for the Left hand installation.

* The parts marked RH will be only suitable for the Right hand installation.



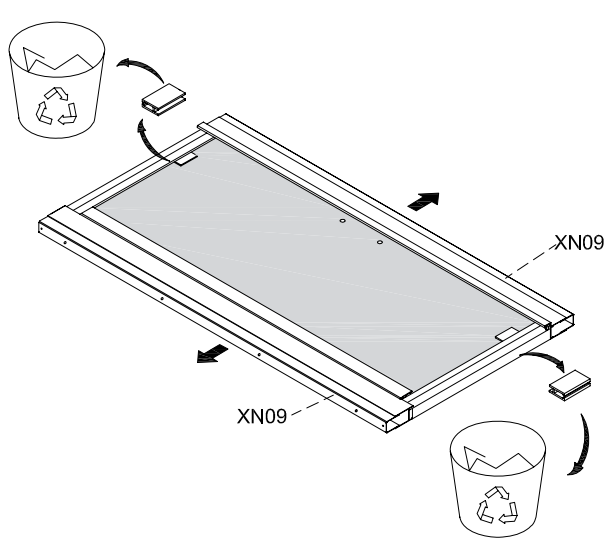
WALL

A

ADJUSTMENT RANGE	
PRODUCT	A (mm)
760 Hinge Door	730~760
800 Hinge Door	760~790
900 Hinge Door	870~900

Please measure the distance between two walls before installation. Ensure the distance is within the adjustment range of product, as is listed above.

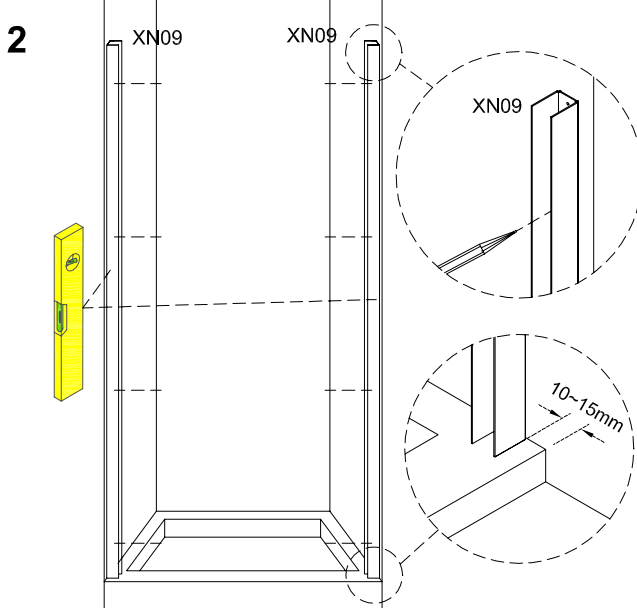
1



XN09

XN09

2



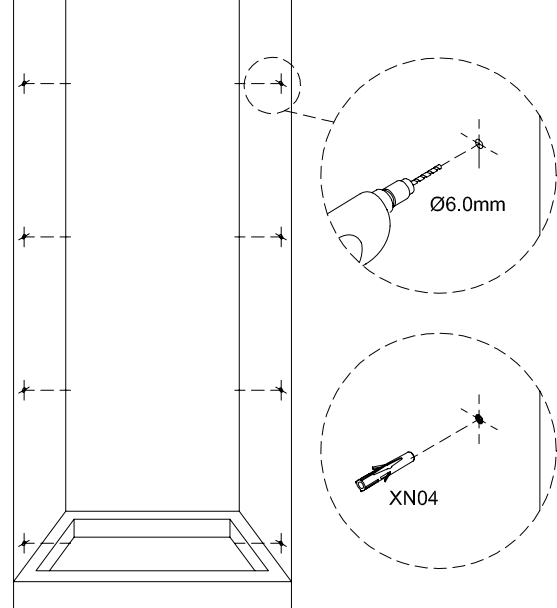
XN09

XN09

XN09

10~15mm

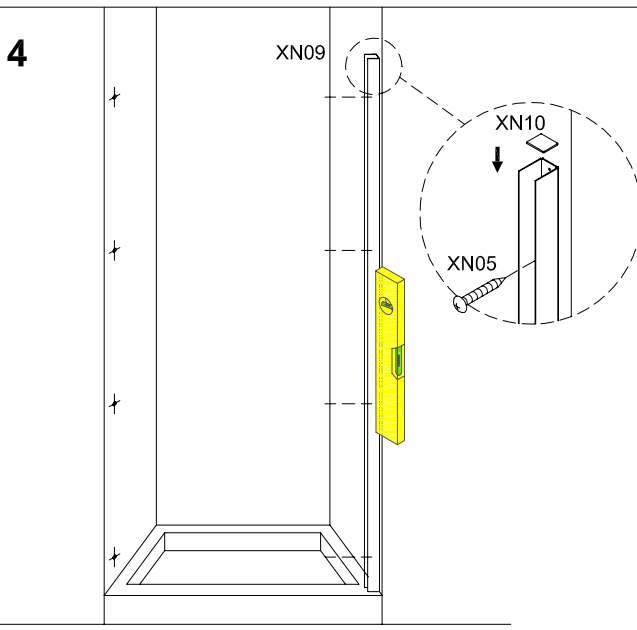
3



Ø6.0mm

XN04

4

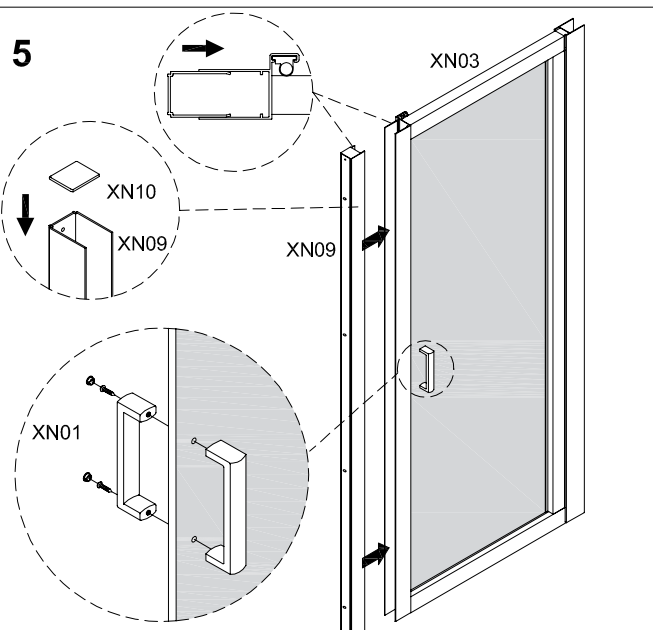


XN09

XN10

XN05

5



XN03

XN09

XN10

XN09

XN01

