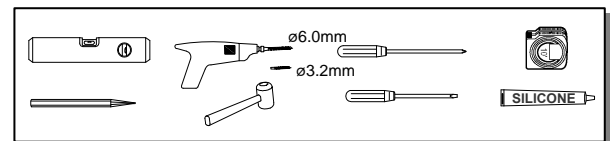
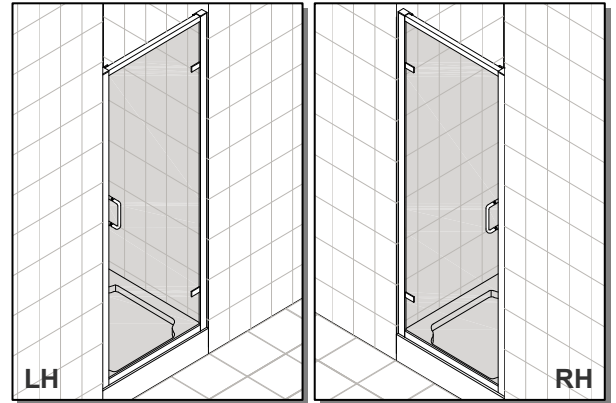
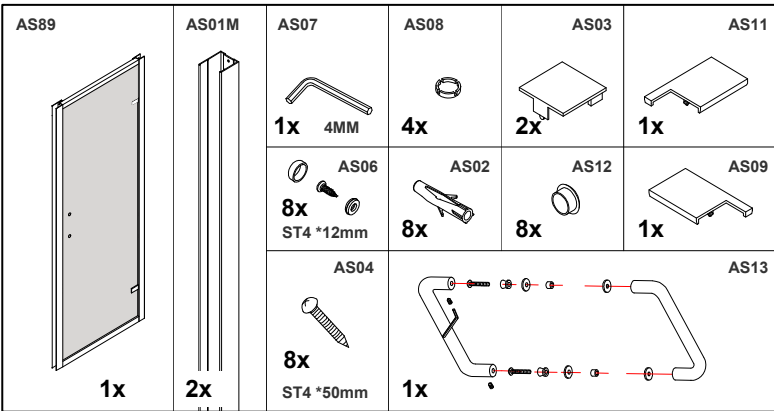
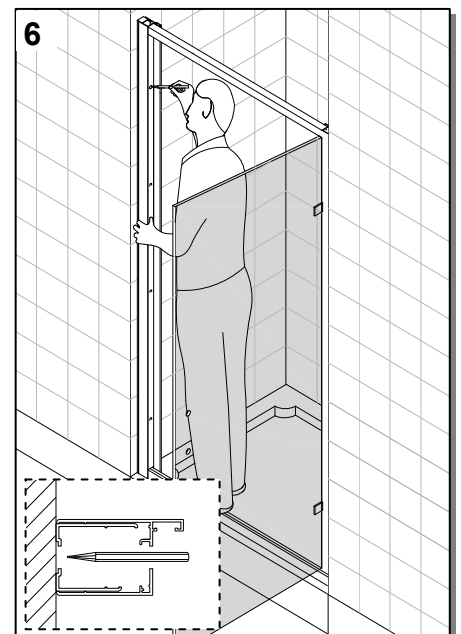
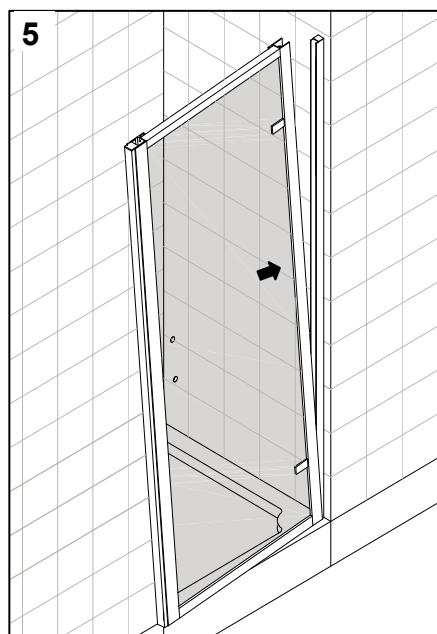
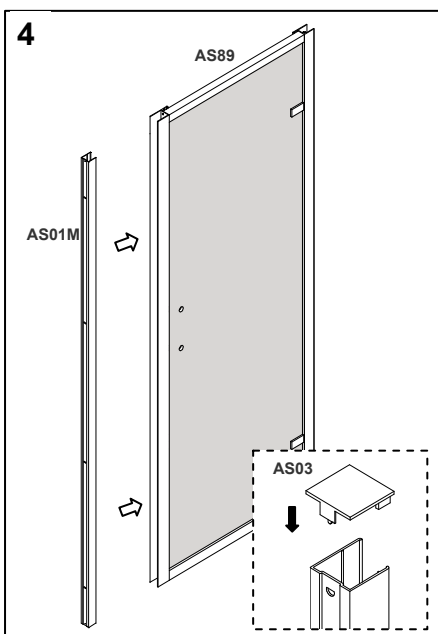
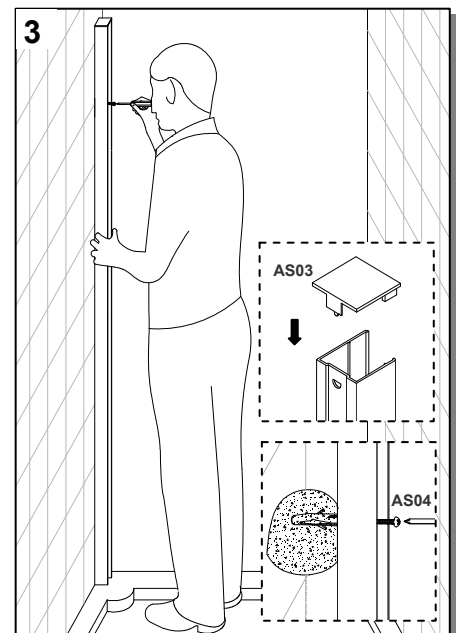
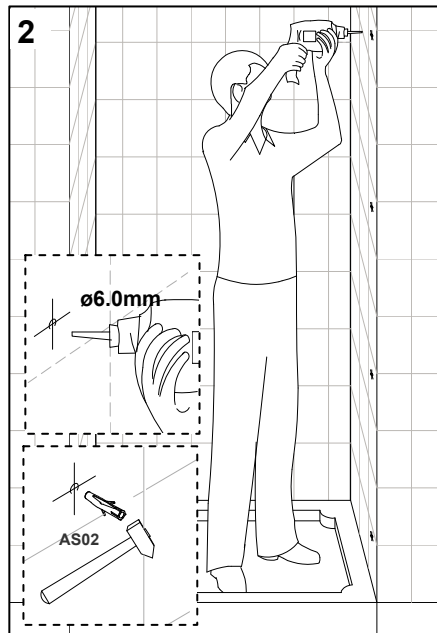
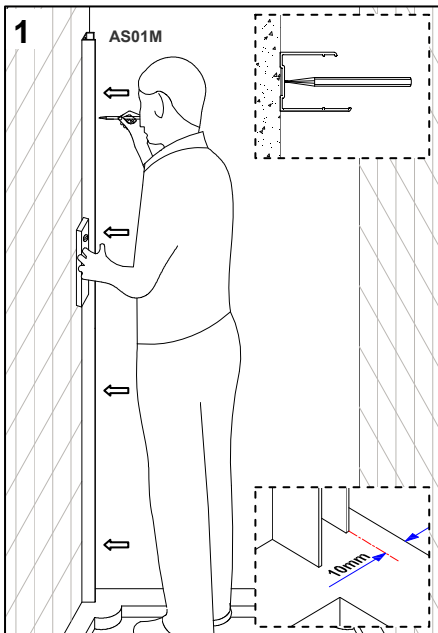
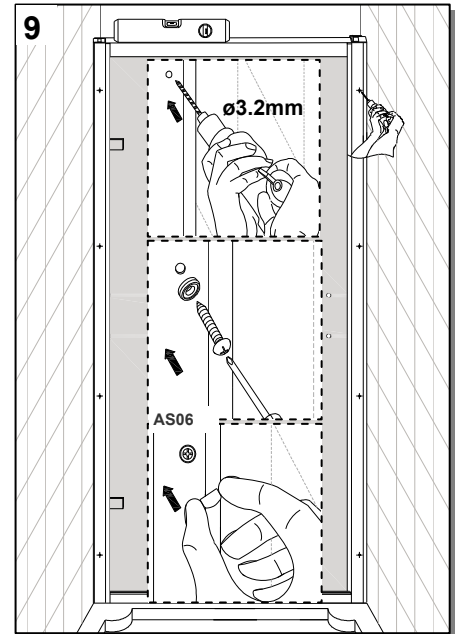
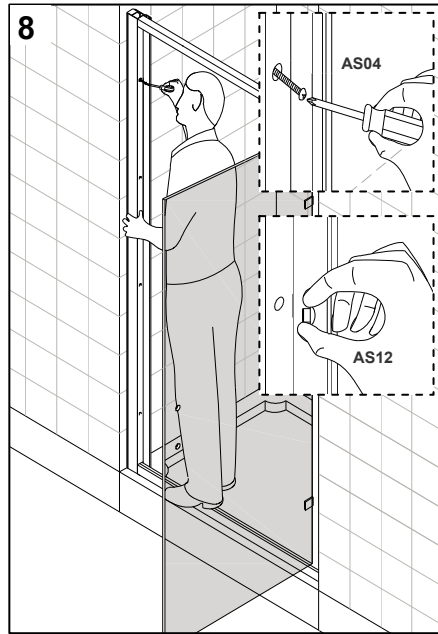
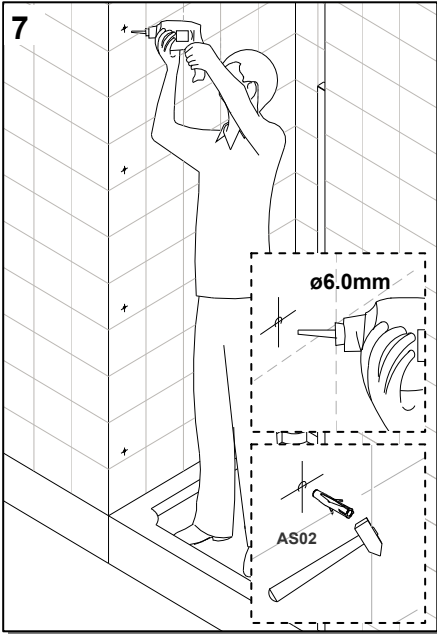


**ATLAS 800mm HINGE DOOR**  
**ATLAS 900mm HINGE DOOR**  
**CHROME FRAME CLEAR GLASS**

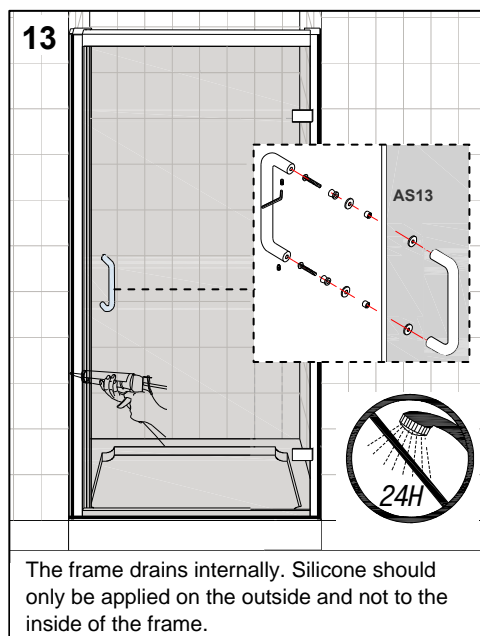
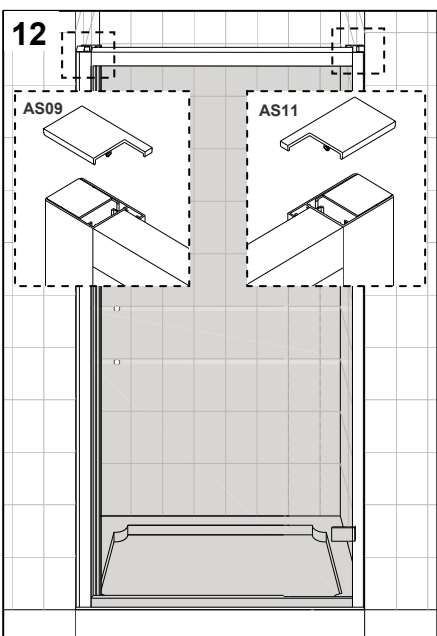
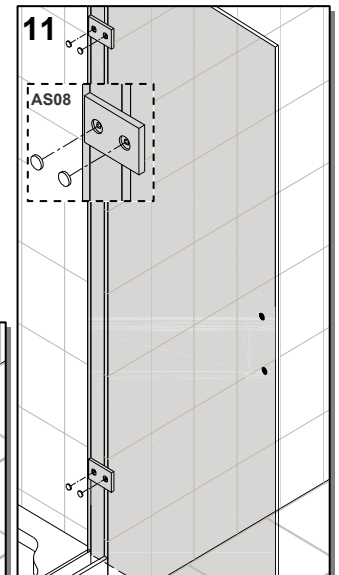
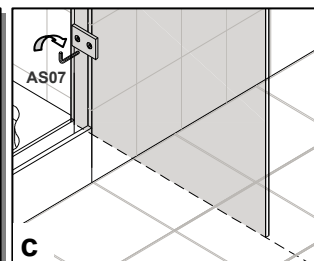
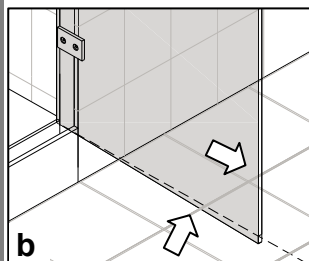
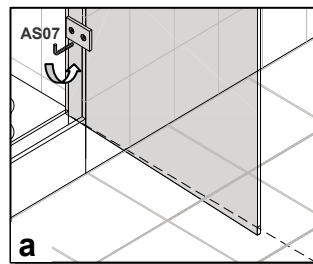
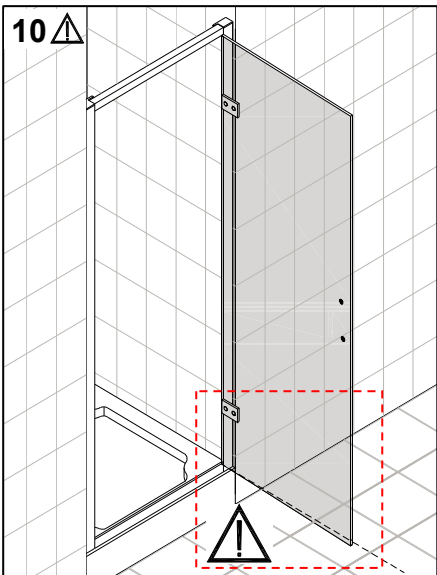


The tray should be installed by a suitably qualified person. The tray should be level, the walls should be tiled down to the tray, and the horizontal gap between the tiles and tray must be sealed with silicone sealant to ensure water-tightness.





⚠ Only if adjustment is required.



The frame drains internally. Silicone should only be applied on the outside and not to the inside of the frame.

HINGE DOOR  
+  
SIDE PANEL

