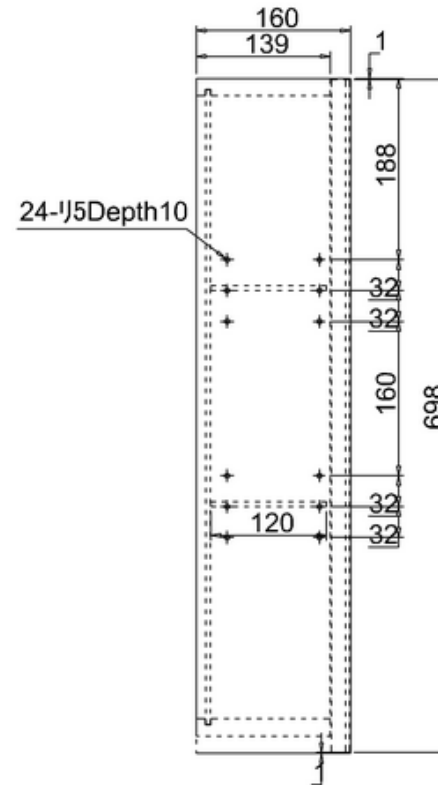
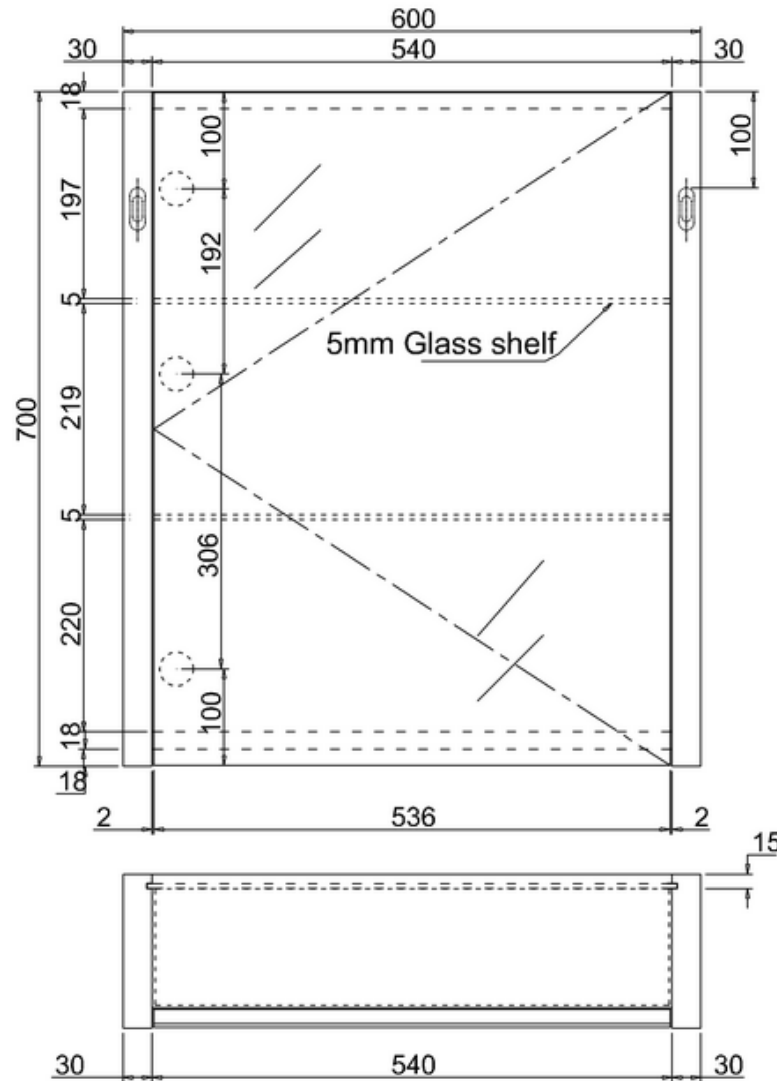




**bathstore**

# 20050070730 - OPENSOURCE 600 ILLUMIN MIRROR UNIT GLASS SHELF EXC LIGHT W600 H700 D160





**bathstore**

**44400007000 - MyPlan / MyRoom HALOGEN DOWNLIGHT CHR  
INC TRANSFORMER (PAIR) 20w**

