

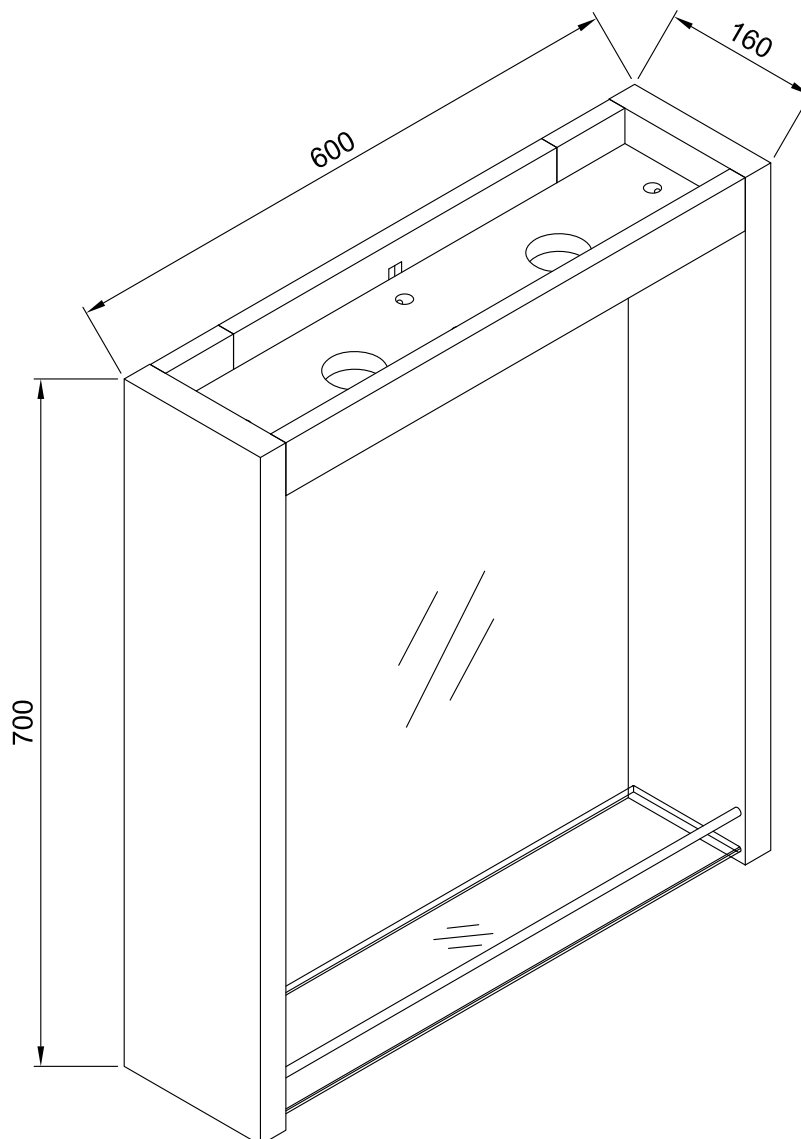
OpenSpace™ 600 Illuminated Mirror Unit

Assembly Instructions

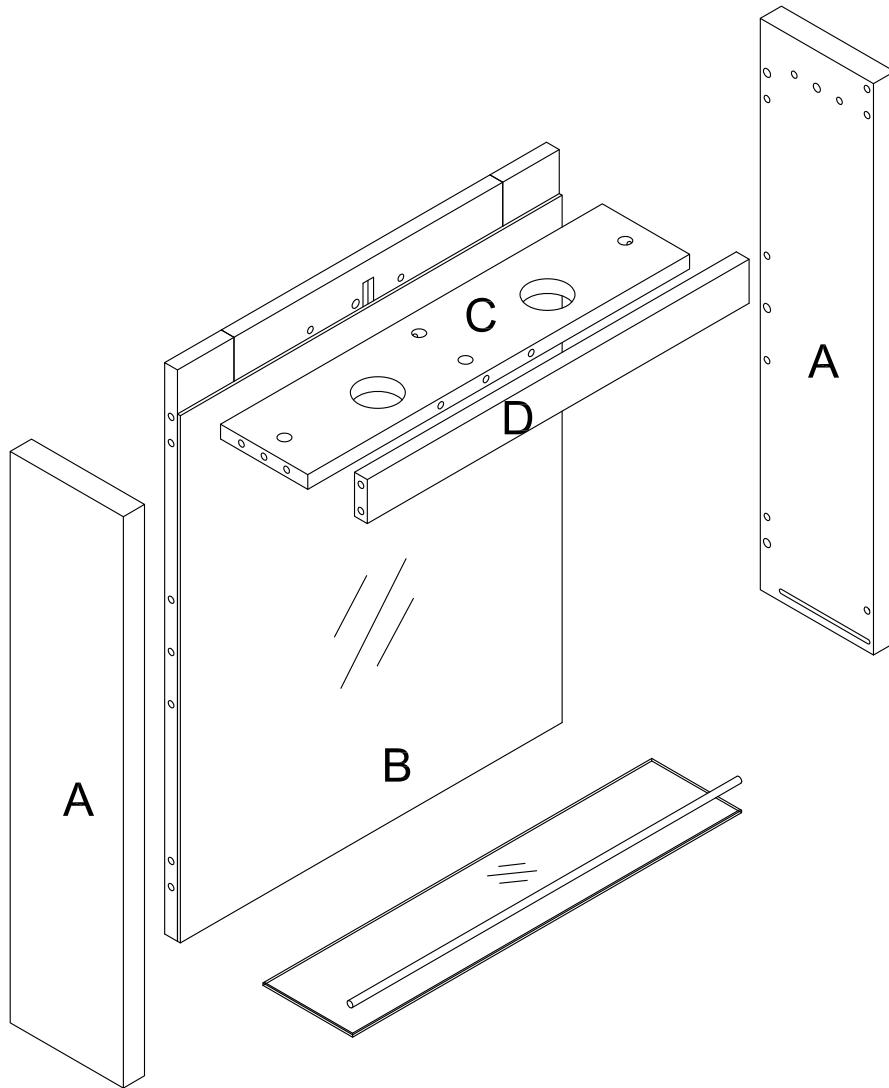
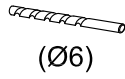
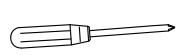
20050070730





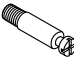


Care and Maintenance : Please leave with the householder

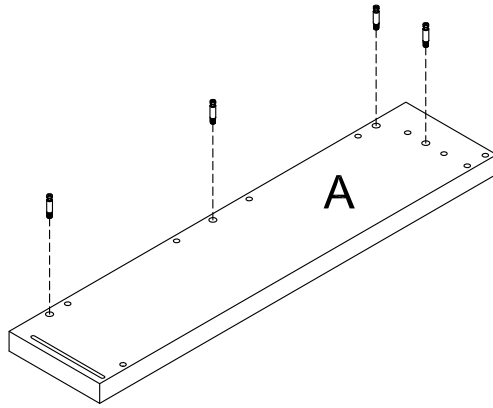
This furniture is made of wood, and has a water resistant finish. It should not be left wet, and the quality of the finish is best maintained if it is wiped with a dry cloth after use. It should only be cleaned using a soft damp cloth followed by a dry cloth. Do not use bleach or any abrasive cleaner.



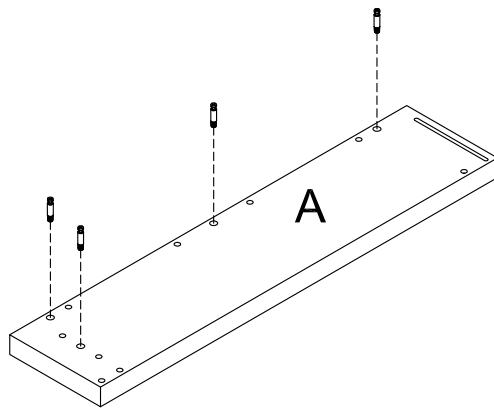
Width 600mm
Depth 160mm
Height 700mm

TOOLS REQUIRED:


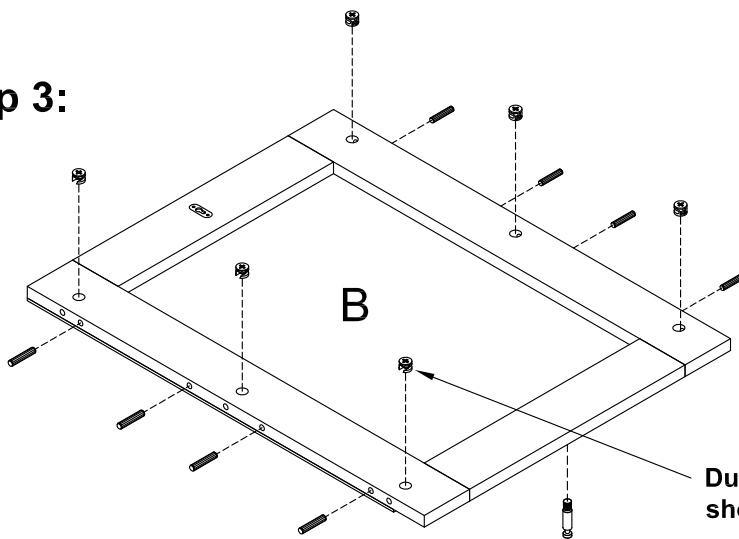
CODE	SIZE(mm)	QTY	CODE	DIAGRAM	QTY	CODE	DIAGRAM	QTY
A	700x160x30	2	E		20	I		3
B	700x540x22	1	F		10	J		1
C	540x123x18	1	G		10	K		1
D	540x54x18	1	H		3			



Step 1:


CODE	SIZE/DIAGRAM	QTY
A	700x160x30	x1
G		x4

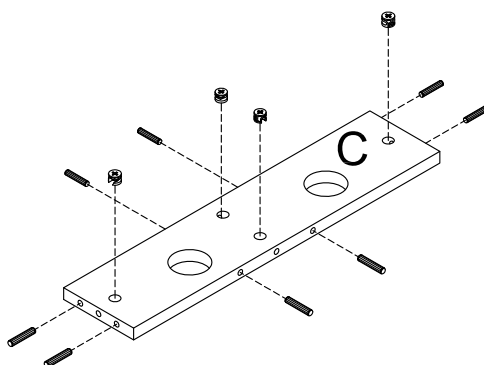
Step 2:




CODE	SIZE/DIAGRAM	QTY
A	700x160x30	x1
G		x4

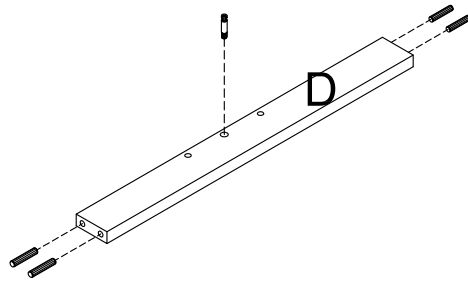
Step 3:




CODE	SIZE/DIAGRAM	QTY
B	700x540x22	x1
E		x8
F		x6
G		x1

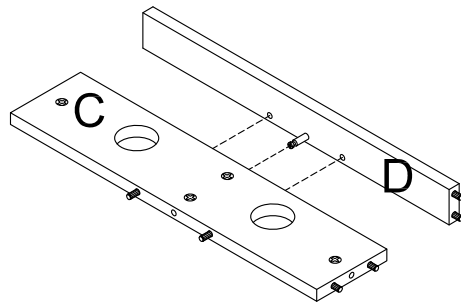
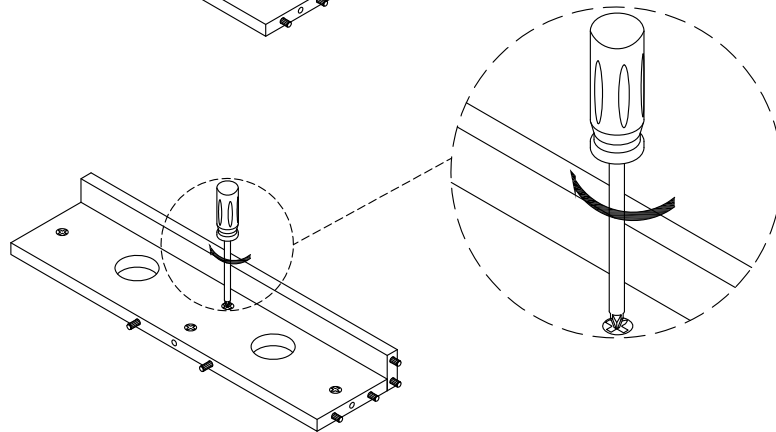
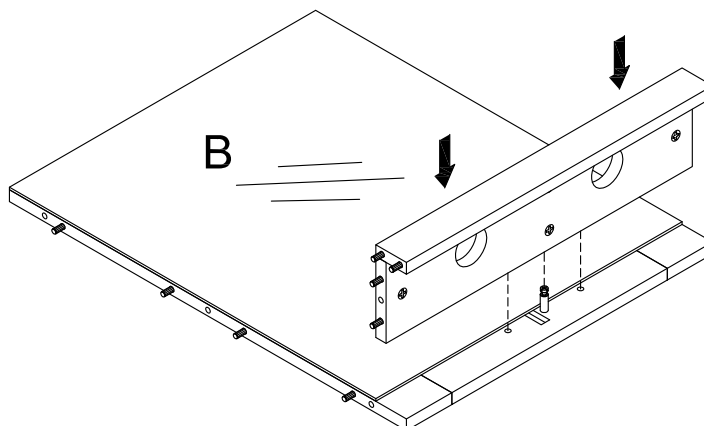
During assembly, the arrow stamped on part (F) should point towards the screw hole.

Step 4:


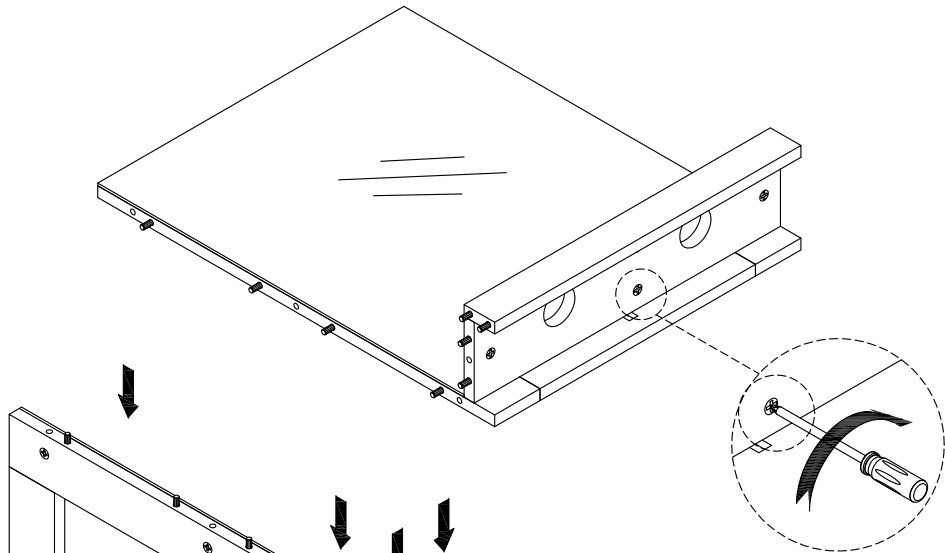
CODE	SIZE/DIAGRAM	QTY
C	540x123x18	x1
E		x8
F		x4

Step 5:


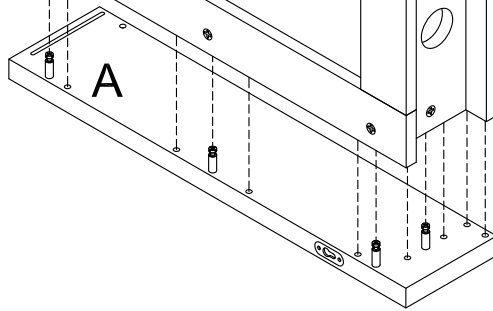
CODE	SIZE/DIAGRAM	QTY
D	540x54x18	x1
E		x4
G		x1

Step 6:

Step 7:

Step 8:


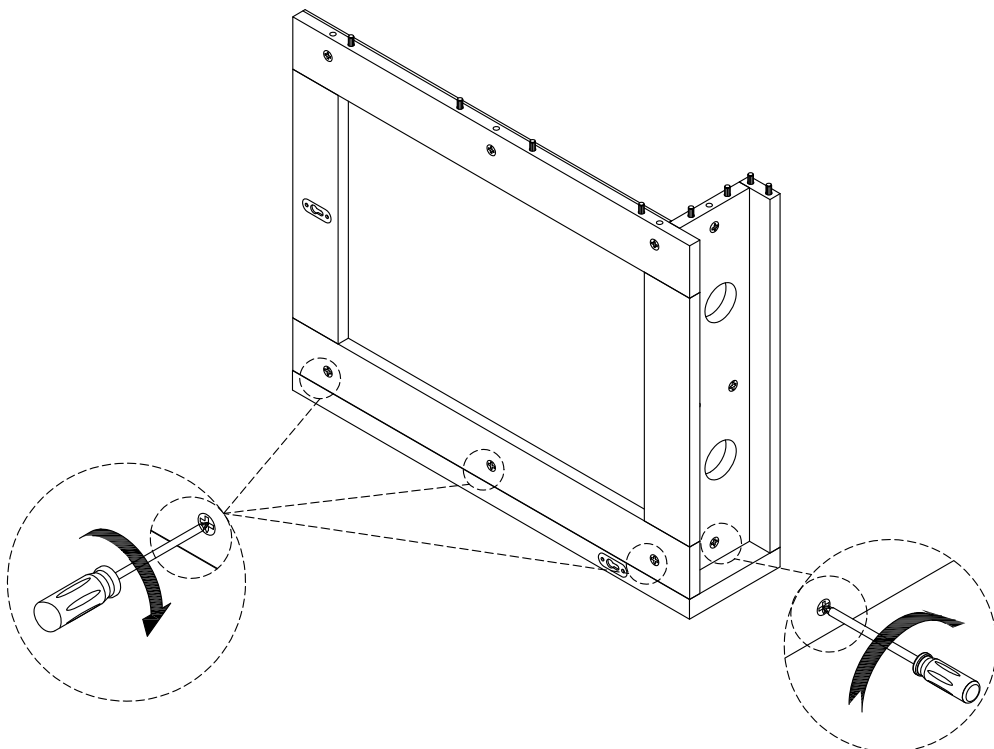
Step 9:

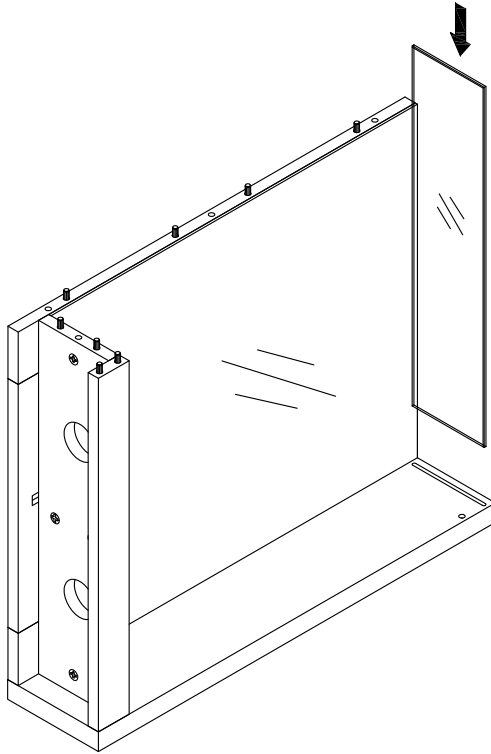



Step 10:



Step 11:

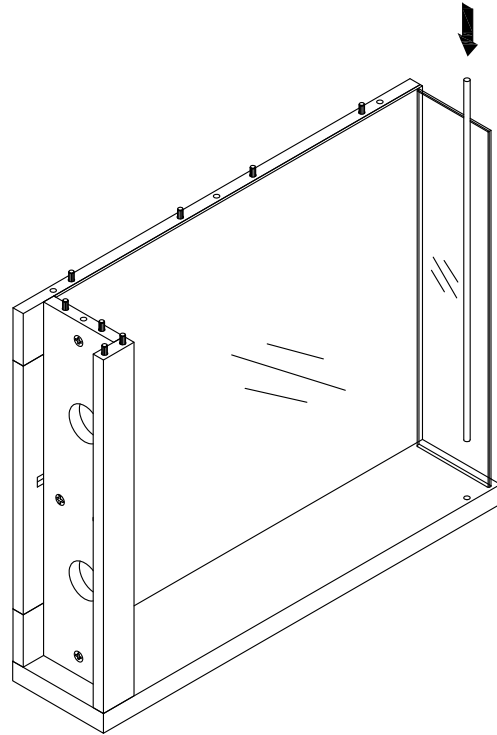
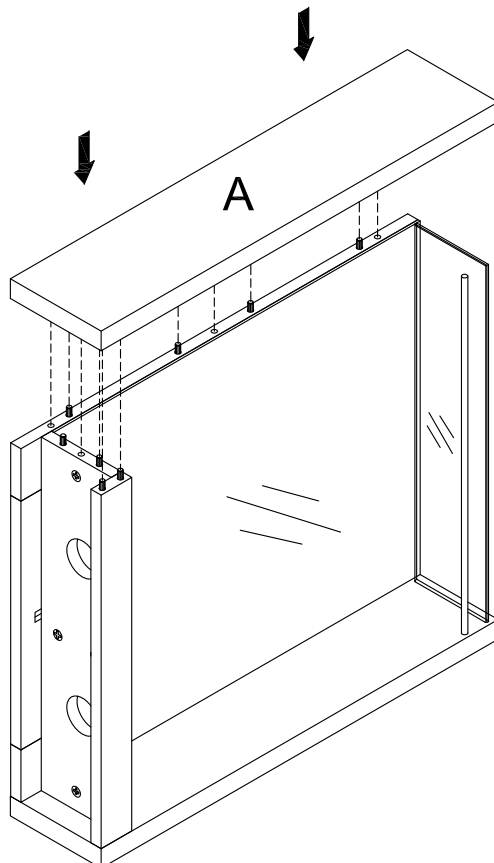


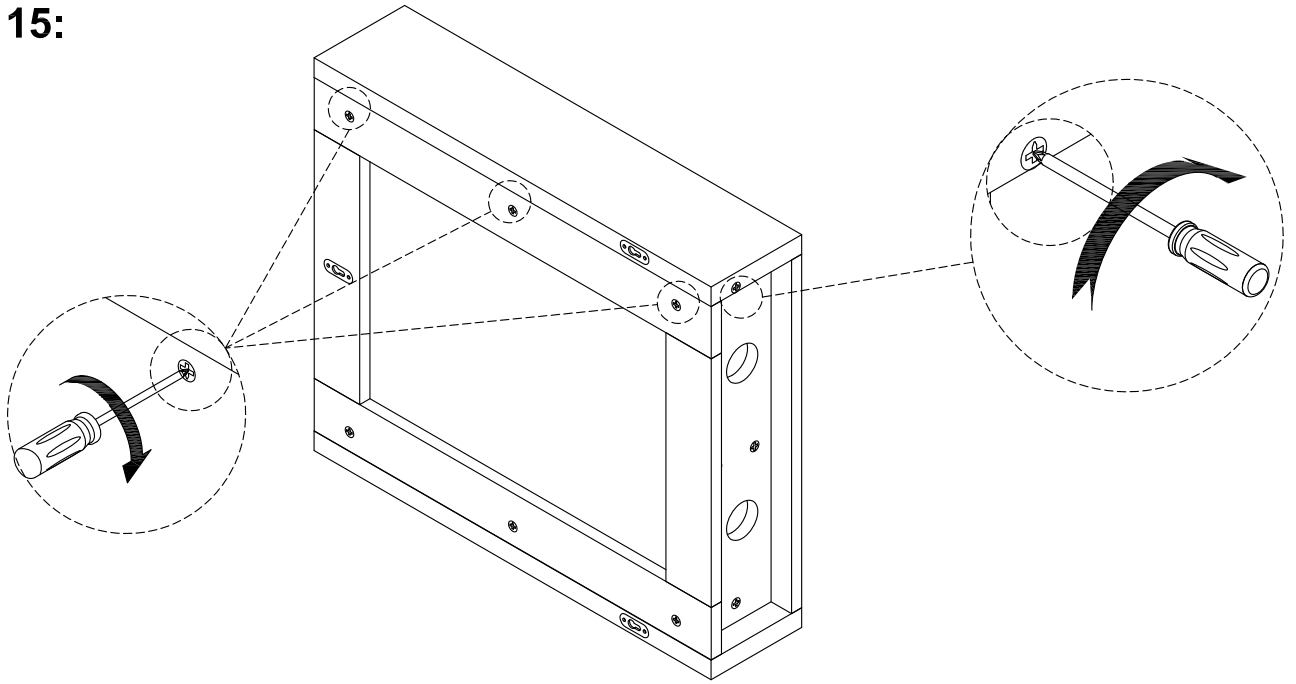
Step 12:


CODE	SIZE/DIAGRAM	QTY
J		x1



Step 13:

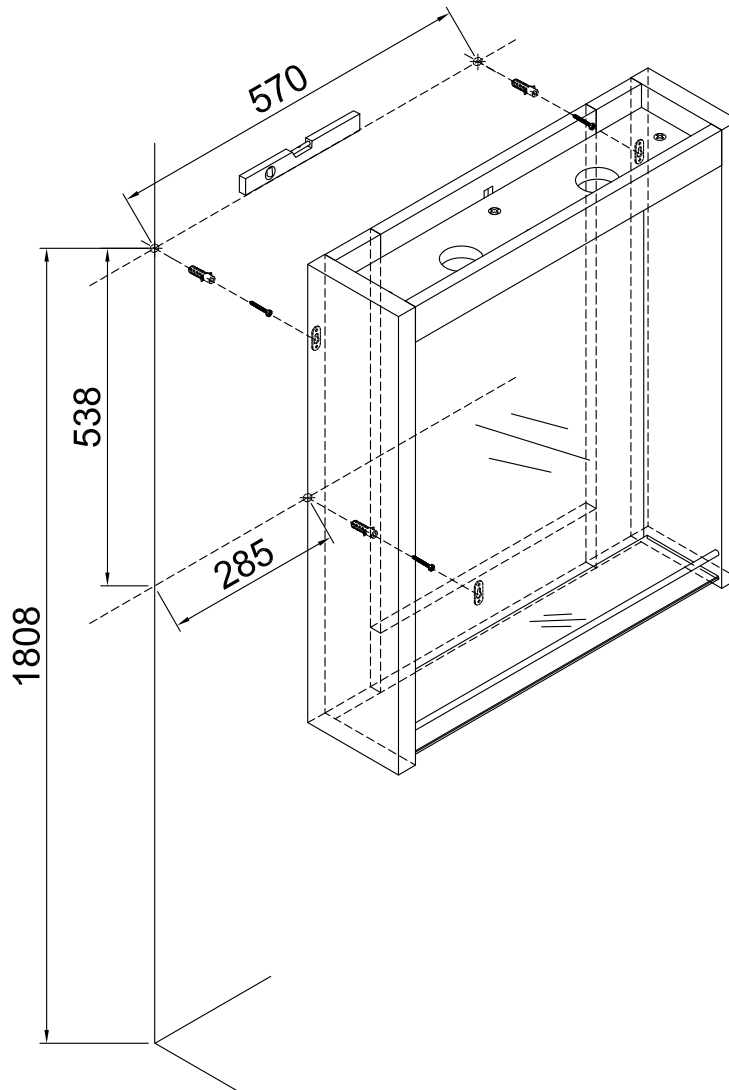
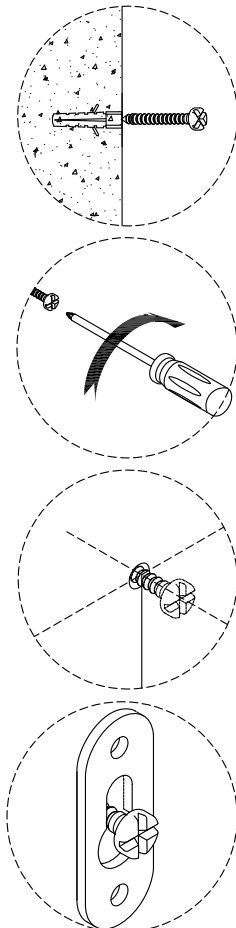
CODE	SIZE/DIAGRAM	QTY
K		x1


Step 14:


Step 15:

Step 16:

To achieve an installed height of 1930mm from floor, please refer to the following diagram. The wall fixings supplied may not be suitable for your installation. You may need to source alternatives depending on the material and strength of the wall you are fixing to.

CODE	SIZE/DIAGRAM	QTY
H		x3
I		x3



Care and maintenance - Looking after your Bathstore mirror

If water gets between the glass and the silver backing of a mirror dark patches can form. The edges of all our mirrors are sealed to prevent this from happening. This seal can be damaged and the following guidelines should be followed to ensure your mirror's longevity.

- 1) The best and safest cleaner for a mirror is warm water used with a soft, lint-free cloth. Wring all water from the cloth before wiping the mirror. Dry the mirror immediately with another dry lint-free cloth.
- 2) Don't use acid or alkali cleaners. Either substance can attack the front surface and edges as well as the backing of the mirror. Abrasive cleaners should never be used on any mirror surface as these can scratch and damage the edge sealer.
- 3) Don't spray cleaners directly on the mirror. Always apply cleaner directly to a soft, lint-free cloth and then wipe the mirror. No preparatory cleaner should be in contact with the edges of the mirror as these can damage the edge seal and cause water damage.
- 4) When cleaning several mirrors installed next to each other, wipe the joints in the same direction as the joints. This will keep the cleaner from collecting in the area where the mirrors join.
- 5) Don't use commercial mirror cleaners that contain ammonia or vinegar.
- 6) The last step to cleaning a mirror is to make sure all joints and edges are dry so that no liquid or cleaner comes into contact with the edges and backing.

BATHSTORE MyRoom™ & OpenSpace™ HALOGEN DOWNLIGHT PACK FOR ILLUMINATED MIRROR

INSTALLATION INSTRUCTIONS

The illuminated mirror is intended to be installed in a bathroom or shower-room. It should be wall-mounted outside of Zones 0, 1 or 2 (see Fig below) to avoid risk of water ingress.

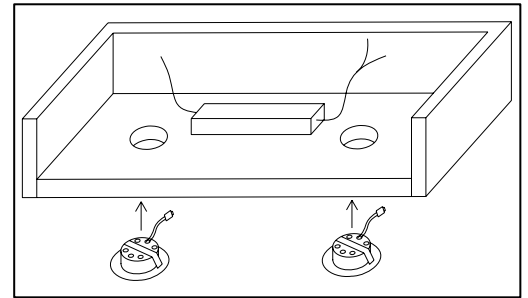
Electrical installation:

The mirror is supplied complete with the following electrical components:-

1 x 230-240V~ transformer with 12V Safety Extra Low Voltage (SELV) output, complete with supply cables.

2 x SELV 12V 20W recessed halogen lamp fittings, complete with connectors.

1 x bag of fixing screws.



Installing the electrical components: The two recessed lamp fittings should be installed into the holes in the mirror canopy.

The transformer should be fixed within the mirror canopy close to the lamps (but not touching them), for ease of connection. Connect the two output wire connections to the lamp connectors.

Connection to the electricity supply: It should be connected to the household fixed wiring by a qualified electrician in accordance with the national Wiring Regulations (BS.7671). It can either be connected to the same lighting circuit as existing bathroom lighting, controlled by the same switch, or it can be connected independently to the general lighting circuit by installing its own cord-pull switch (not supplied). The transformer is Class II and does not require earthing. The supply cable is 2 x 0.75mm².

Lamp replacement: The fitted lamps are 12V 20W G4 type halogen lamps. Always replace with the same type and rating. Do not exceed the 20W rating. To change the lamp firstly disconnect the electricity supply. Use a small flat-blade screwdriver to lever out the opaque lens cover. Gently pull out the failed lamp and insert the new one. Snap the lens cover back into position, and re-connect the electricity supply.

