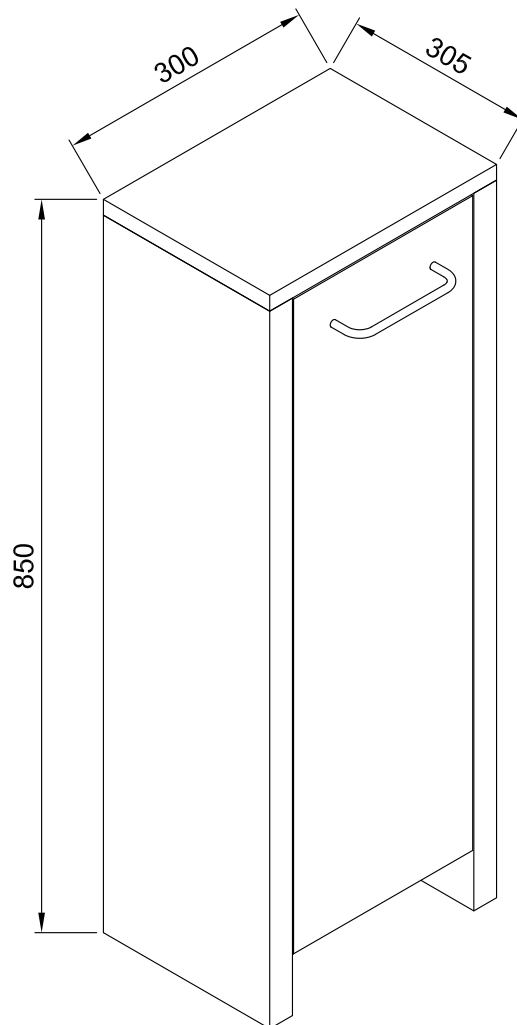
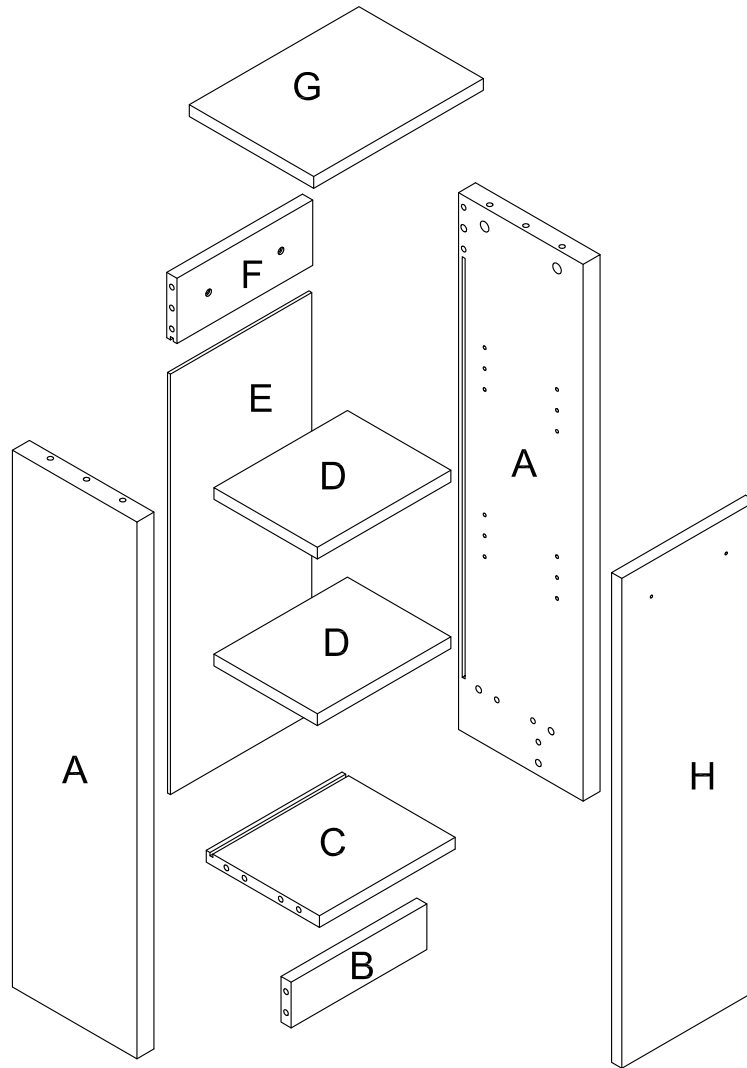






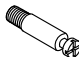











## OpenSpace™ 305 Low Storage Unit Assembly Instructions 20050070820

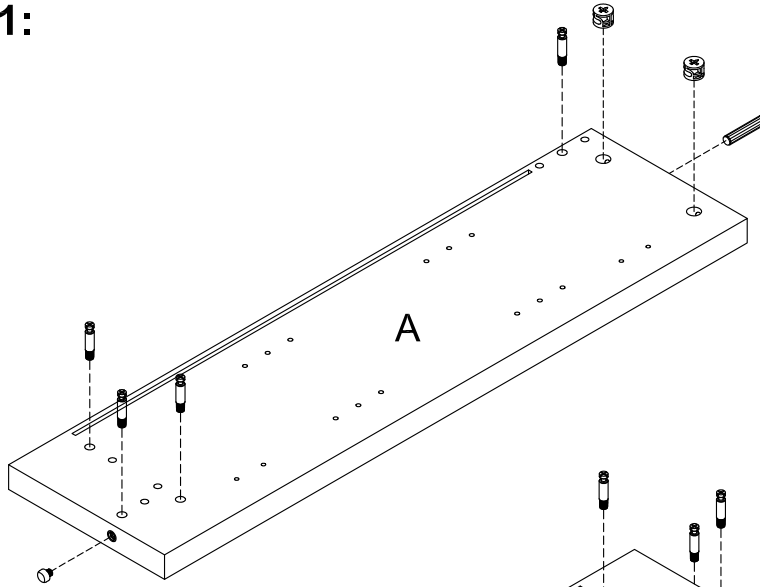
Care and Maintenance : Please leave with the householder  
This furniture is made of wood, and has a water resistant finish. It should not be left wet, and the quality of the finish is best maintained if it is wiped with a dry cloth after use. It should only be cleaned using a soft damp cloth followed by a dry cloth. Do not use bleach or any abrasive cleaner.







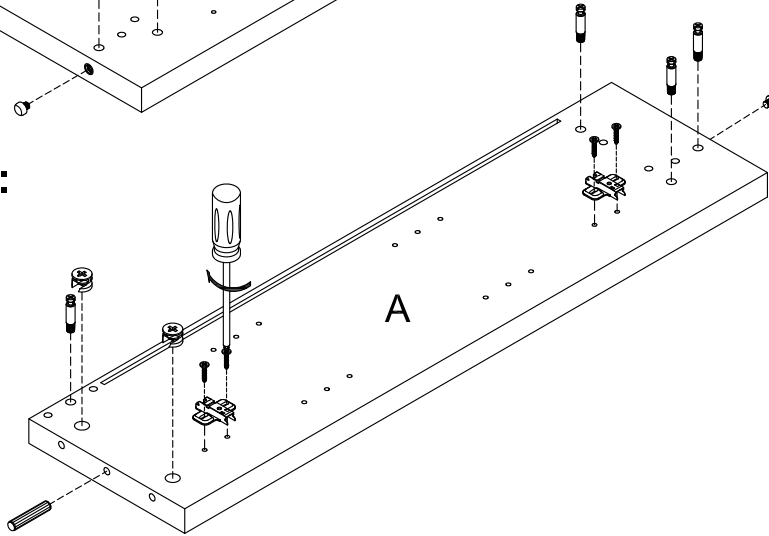
**Width 300mm**  
**Depth 305mm**  
**Height 850mm**


**TOOLS REQUIRED:**


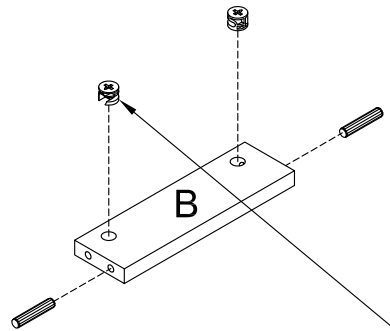
CODE	SIZE(mm)	QTY	CODE	DIAGRAM	QTY	CODE	DIAGRAM	QTY
A	822x305x30	2	I		12	Q		2
B	239x69x15	1	J		12	R		8
C	239x283x18	1	K		12	S		4
D	236x269x15	2	L		8	T		1
E	644x249x5	1	M		2	U		2
F	239x100x18	1	N		2	V		2
G	300x305x18	1	O		2	W		2
H	750x235x18	1	P		2	X		4



**Step 1:**


CODE	SIZE/DIAGRAM	QTY
A	822x305x30	x1
I		x1
J		x2
K		x4
Q		x1

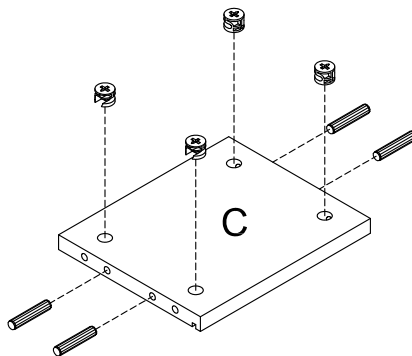
**Step 2:**


CODE	SIZE/DIAGRAM	QTY
A	822x305x30	x1
I		x1
J		x2
K		x4
L		x4
N		x2
Q		x1

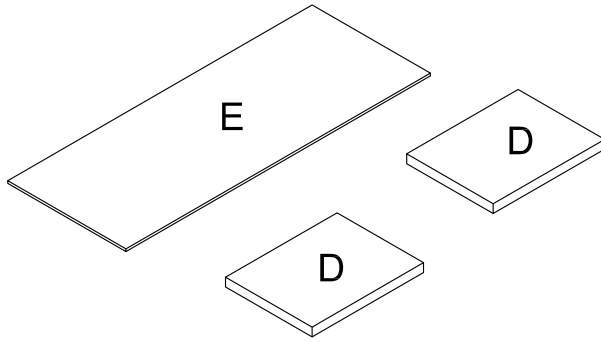
**Step 3:**


CODE	SIZE/DIAGRAM	QTY
B	239x69x15	x1
I		x2
J		x2

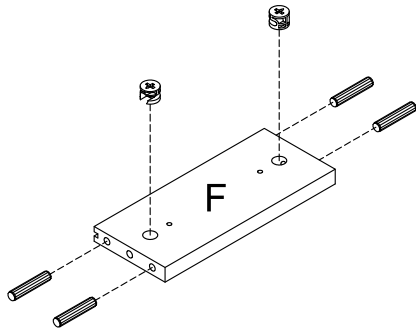
During assembly, the arrow stamped on part (J) should point towards the screw hole.



**Step 4:**


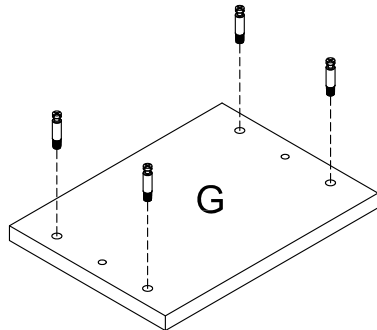
CODE	SIZE/DIAGRAM	QTY
C	239x283x18	x1
I		x4
J		x4

**Step 5:**


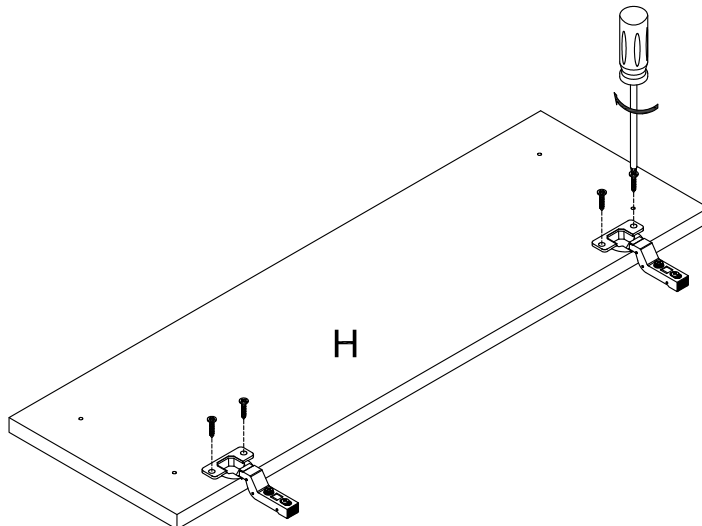
CODE	SIZE/DIAGRAM	QTY
D	236x269x15	x2
E	644x249x5	x1



**Step 6:**


CODE	SIZE/DIAGRAM	QTY
F	239x100x18	x1
I		x4
J		x2

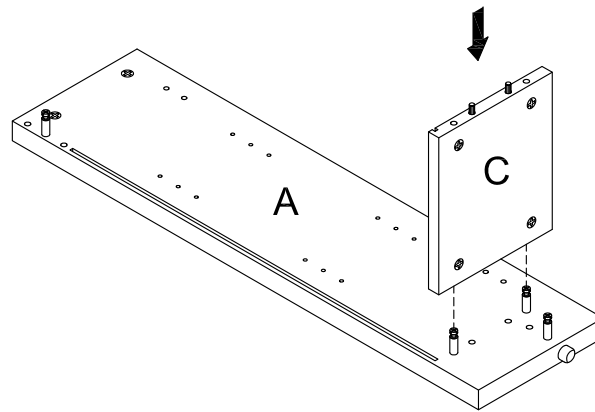
**Step 7:**


CODE	SIZE/DIAGRAM	QTY
G	300x305x18	x1
K		x4

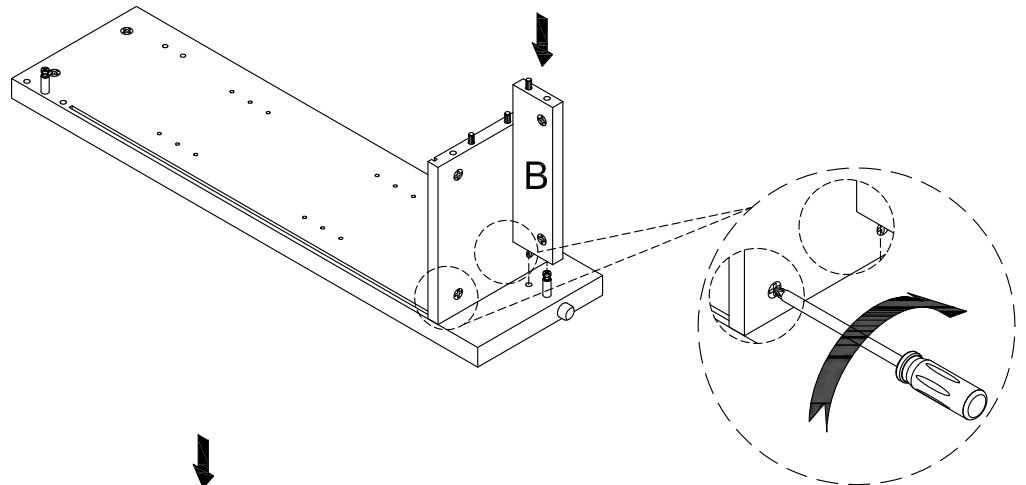
**Step 8:**


CODE	SIZE/DIAGRAM	QTY
H	750x235x18	x1
L		x4
M		x2

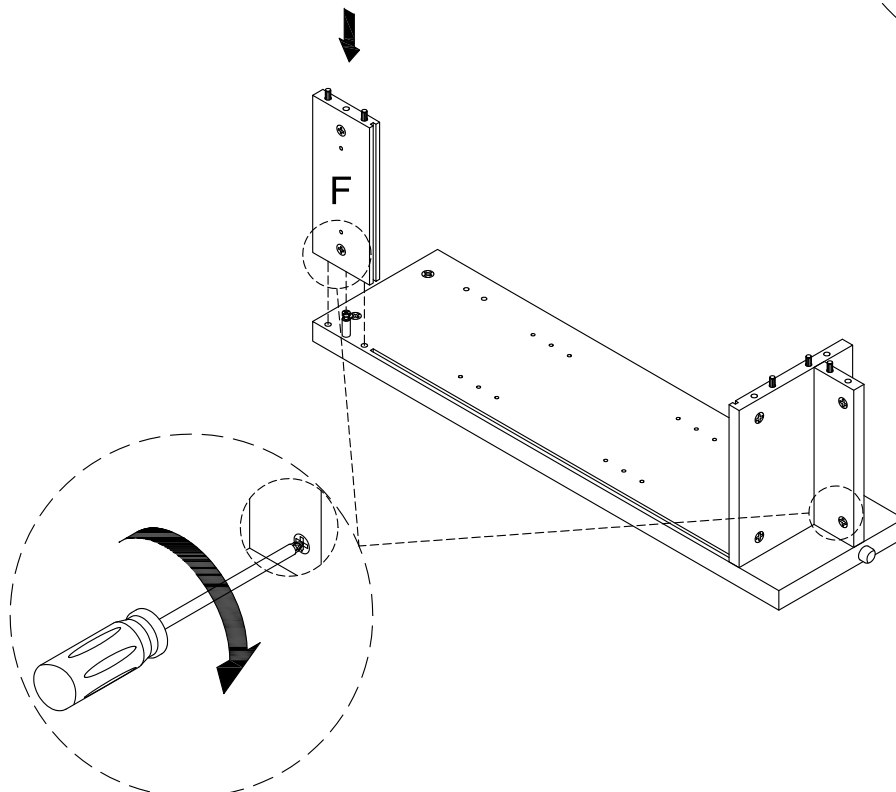
**Step 9:**



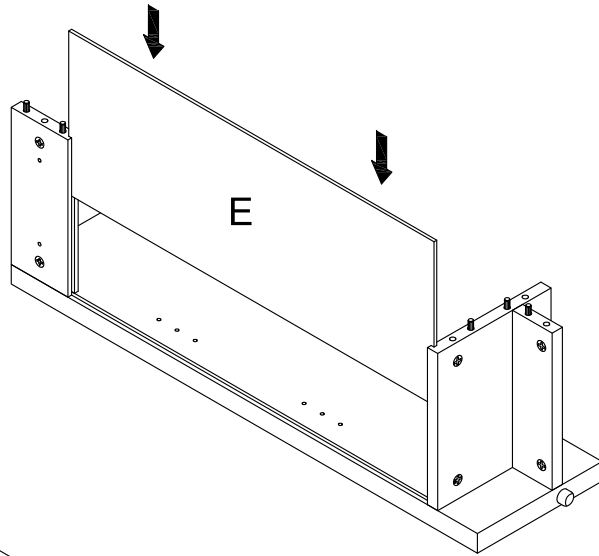
**Step 10:**



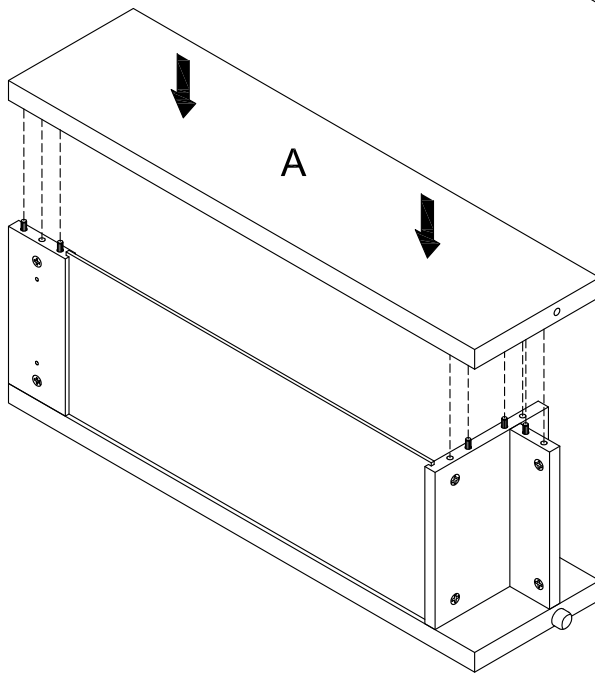
**Step 11:**



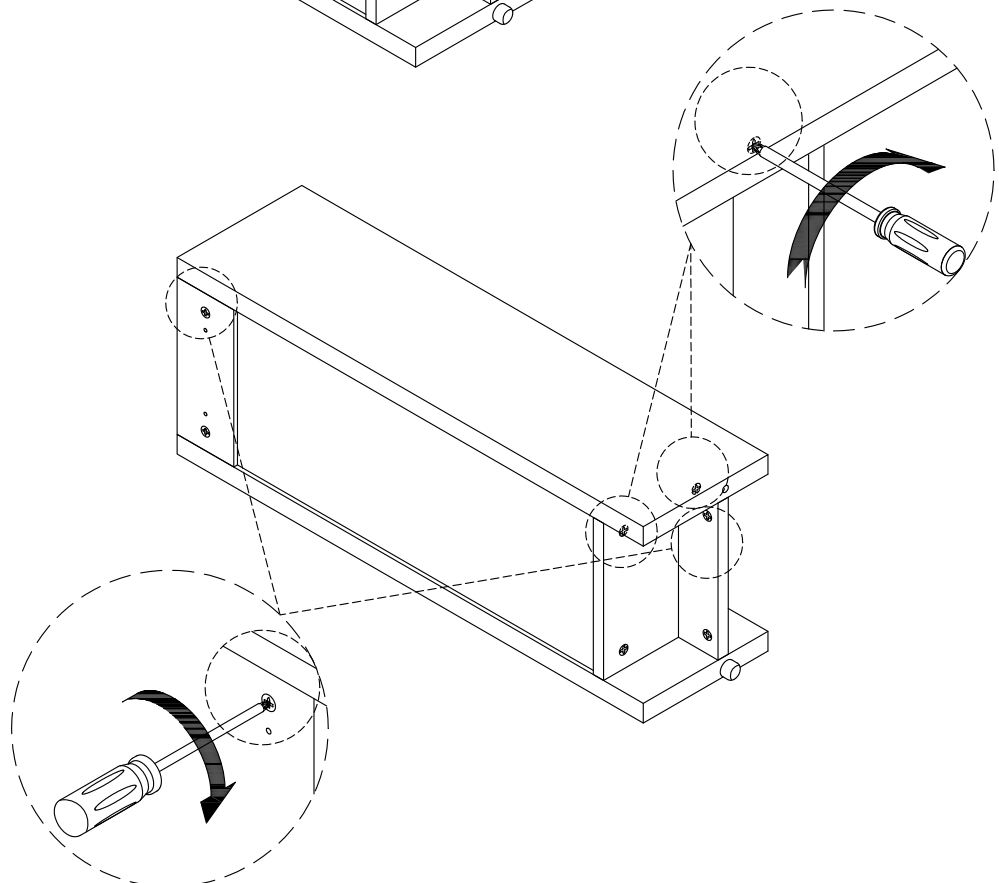
**Step 12:**

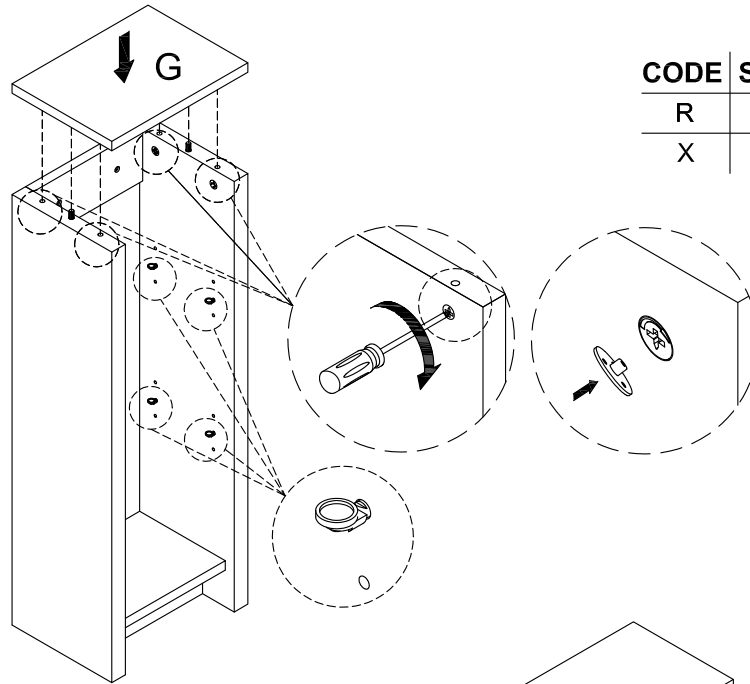


**Step 13:**

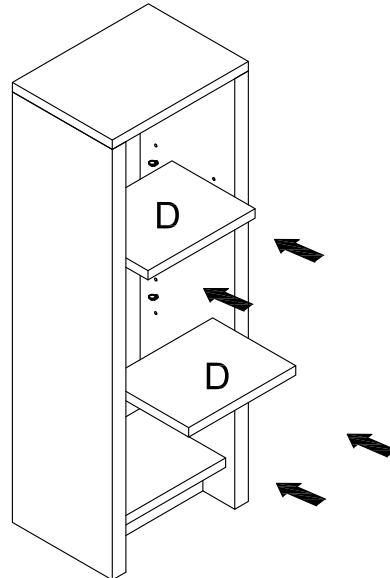
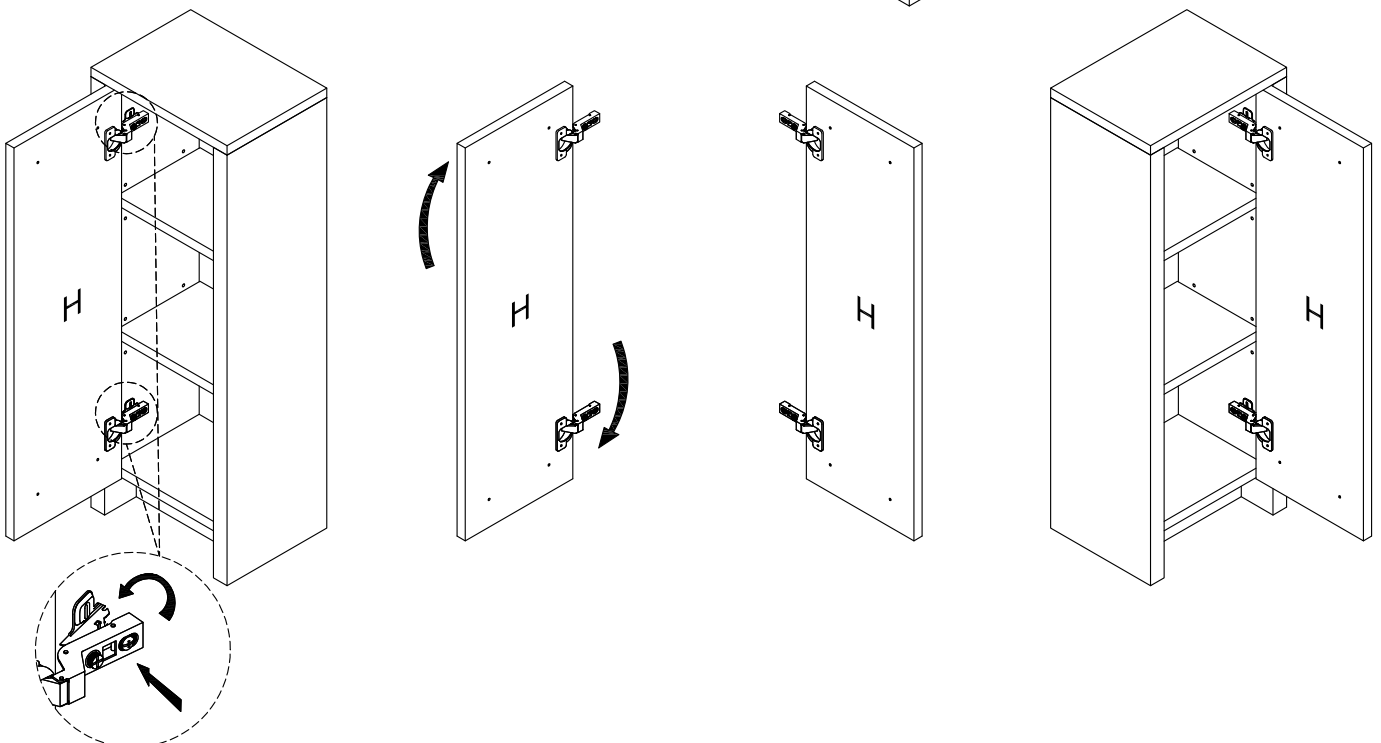


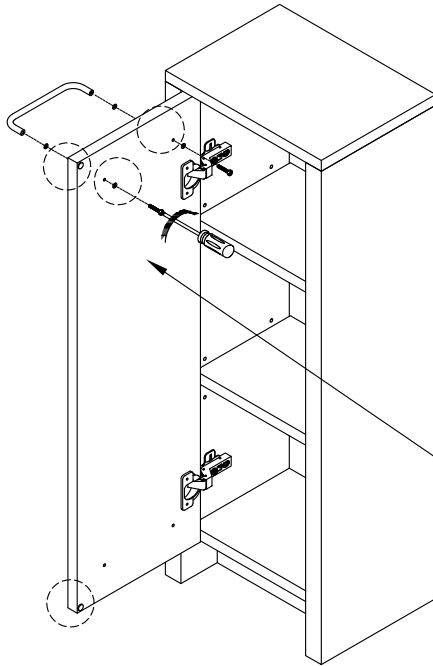
**Step 14:**




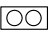


**Step 15:**


CODE	SIZE/DIAGRAM	QTY
R		x8
X		x4

**Step 16:**

**Step 17:**


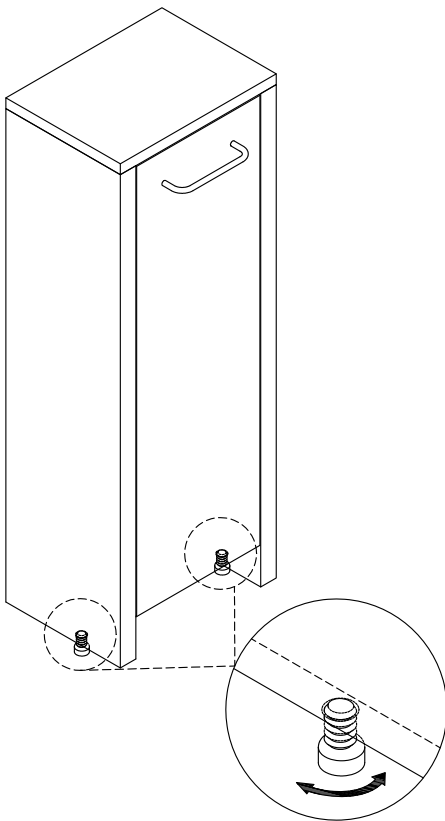
**Step 18:**


CODE	SIZE/DIAGRAM	QTY
S		x4
T		x1
U		x2
V		x2

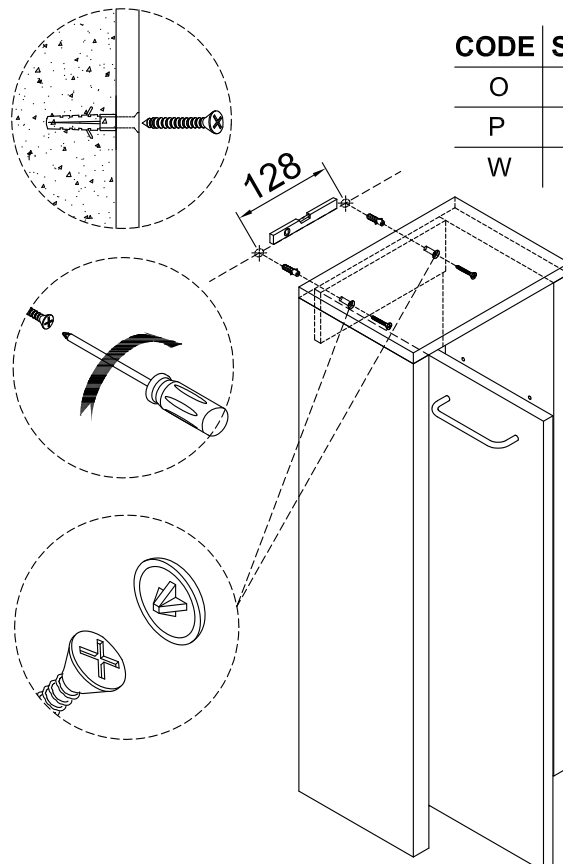
1. Confirm the door is right or left handle fitting;
2. Drill the holes for assembling handle through the board by  $\varnothing 5$  drill.




**Step 19:**

Place the unit in position against the wall. Raise or lower height adjusters (Q) to level and achieve desired height at the front..


**Step 20:**

Ensure that the top is horizontal before marking the wall for fixing.  
The wall fixings supplied may not be suitable for your installation. You may need to source alternatives depending on the material and strength of the wall you are fixing to.

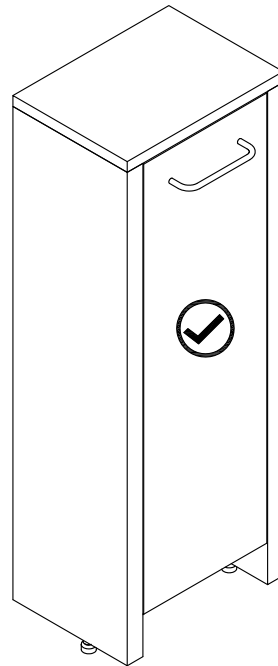
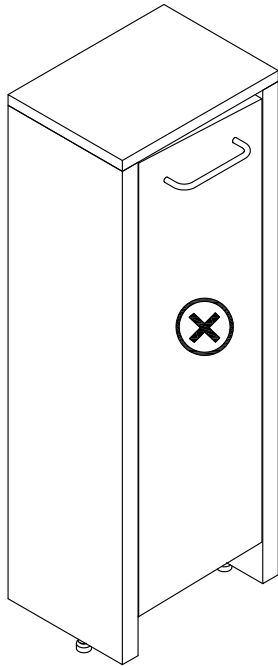


CODE	SIZE/DIAGRAM	QTY
O		x2
P		x2
W		x2

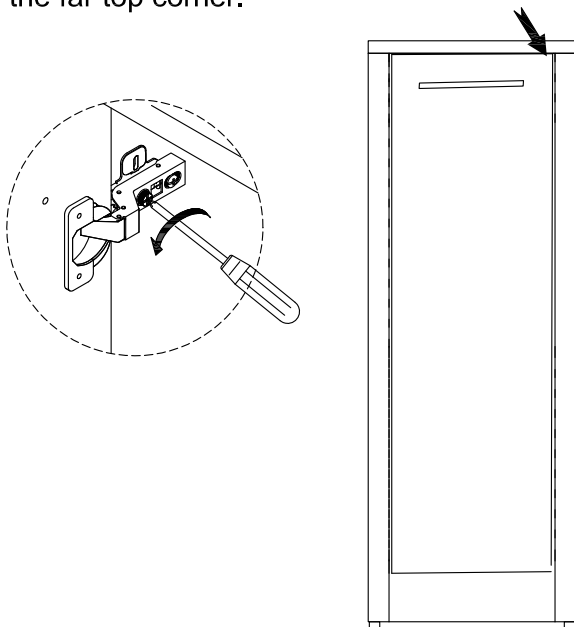


The doors can be adjusted up and down by rotating the adjustment screw as shown below :

**Only if adjustment is required !**



Anti-Clockwise adjustment lifts the far top corner.



Clockwise adjustment drops the far top corner.

